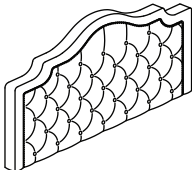
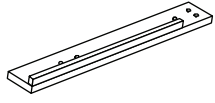
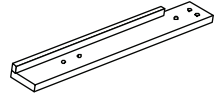
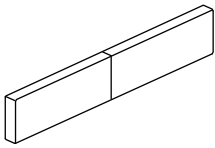
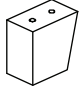
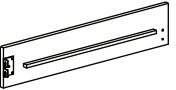

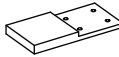



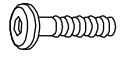
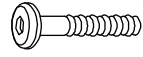




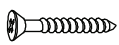

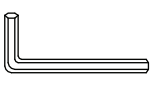
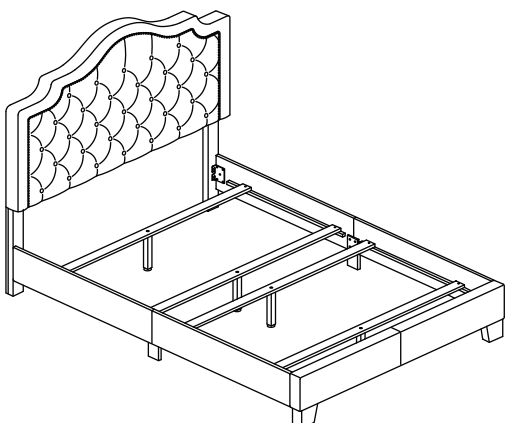


**ASSEMBLY INSTRUCTION**  
**SH255FBGE-1 & SH255FBLU-1 & SH255FGRY-1 &**  
**SH255FDGR-1 & SH255FPNK-1**

<b>1</b> Headboard  x1	<b>2</b> Headboard Leg (R)  x1	<b>3</b> Headboard Leg (L)  x1	<b>4</b> Footboard  x1	<b>5</b> Footboard Leg  x2
<b>6</b> Side Rail  x2	<b>7</b> Side Rail  x2	<b>8</b> Side Rail Support Leg  x2	<b>9</b> Slat  x4	<b>10</b> Support Leg with adjustable feet  x4
<b>A</b> Bolts M8 x 20mm  x8	<b>B</b> Bolts M6 x 25mm  x8	<b>C</b> Bolts M6 x 35mm  x10	<b>D</b> Bolts M6 x 70mm  x2	<b>E</b> Wood Dowel  x2
<b>F</b> Lock Washer  x14	<b>G</b> Flat Washer  x14	<b>H</b> Screw M4 x 32mm  x8	<b>I</b> Allen Key M5 x 65mm  x1	<b>J</b> Allen Key M4 x 65mm  x1

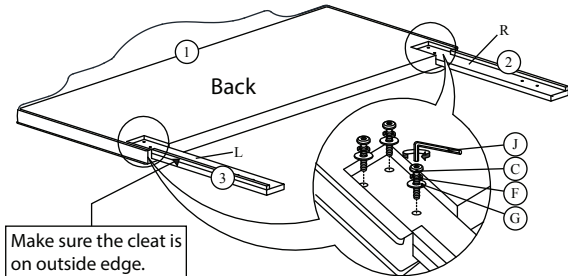


This page lists all the contents included in the box. Please take the time to identify the hardware as well as the individual components to this product. As you unpack and prepare for assembly, place the contents on a carpeted or padded area to protect them from damage.

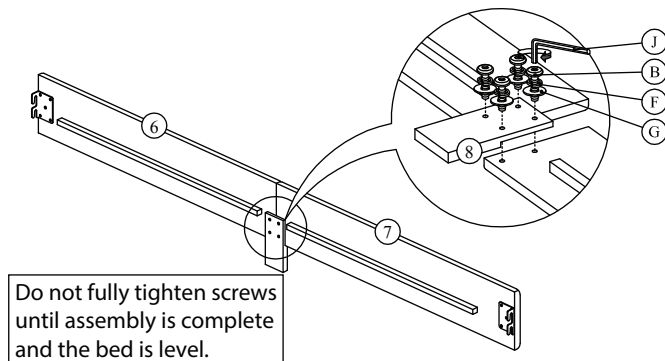
# ASSEMBLY INSTRUCTION

## SH255FBGE-1 & SH255FBLU-1 & SH255FGRY-1 & SH255FDGR-1 & SH255FPNK-1

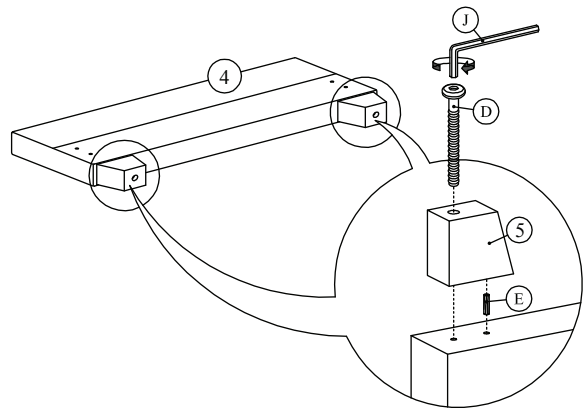
- 1** Begin assembly by attaching each Headboard Leg (2) & (3) to the bottom of the Headboard (1) by aligning the hole and securing with 3 Allen Bolts (C) , 3 Lock Washer (F) , 3 Flat Washer (G) per leg using Allen Key (J) .  
(DO NOT FULLY TIGHTEN BOLTS FOR THIS STEP).



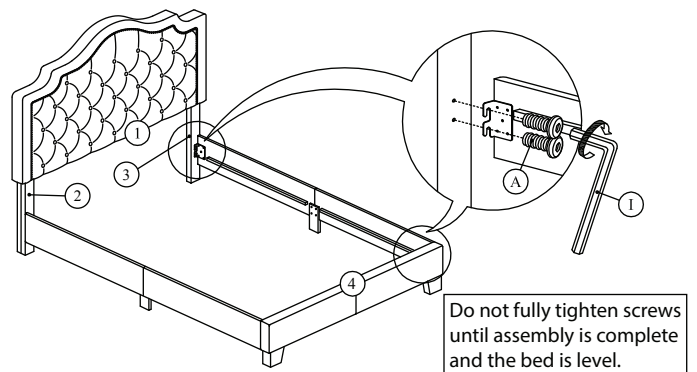
- 3** Attach Side Rail Support Leg (8) to the join of the Side Rail (6) and Side Rail (7) by securing with 4 Allen Bolts (B) , 4 Lock Washer (F) , 4 Flat washer (G) per support using Allen Key (J).



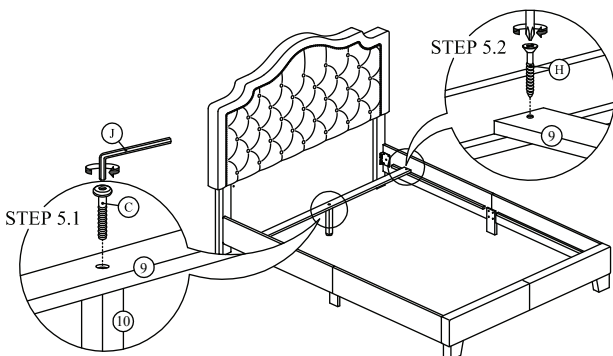
- 2** Attach each Footboard Legs (5) to the bottom of the Footboard (4) by inserting a Dowel (E) & securing with 1 Allen Bolt (D) per leg using Allen Key (J).



- 4** Attach Side Rail to the Headboard Leg (2) & (3) and Footboard (4). Aligning holes and securing with 2 Allen Bolts (A) per each and using Allen Key (I).  
(DO NOT FULLY TIGHTEN BOLTS FOR THIS STEP)



- 5** Attach Support Legs (10) to Slat (9) by securing with 1 Allen Bolt (C) per support leg. Attach Slat (9) to Side Rail by securing with 1 Screw (H) per each side. Tighten all screws using philips head screw driver (NOT INCLUDED). Tighten all bolts on step 3 & 4 using Allen Key (K) & tighten bolts on step 5 using Allen Key (J).



### Cleaning & Care

Treat surface with care. Surface is resistant to scratches but is not scratch resistant. Clean surfaces with a dry or damp soft cloth. Do not use abrasive cleaners. Hardware may loosen over time. Periodically check that all connections are tight.