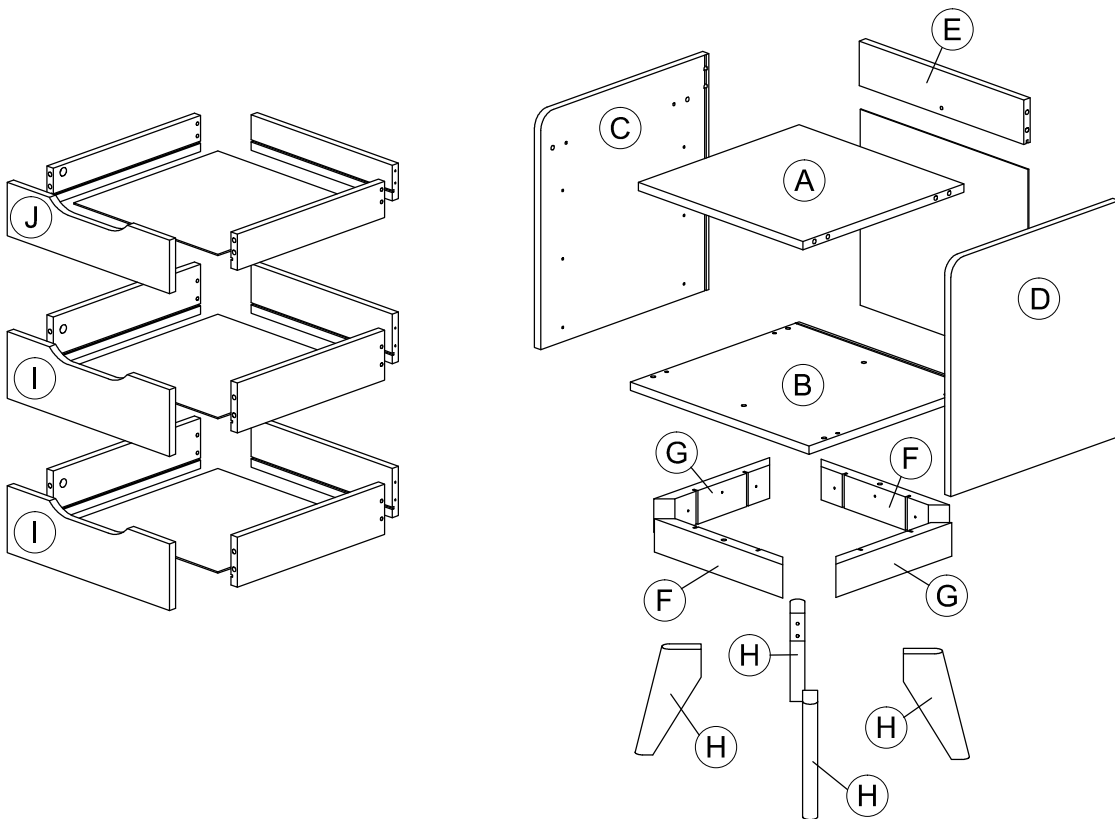


Assembly Instruction

Model : WI7498


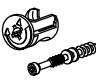









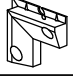




Part List



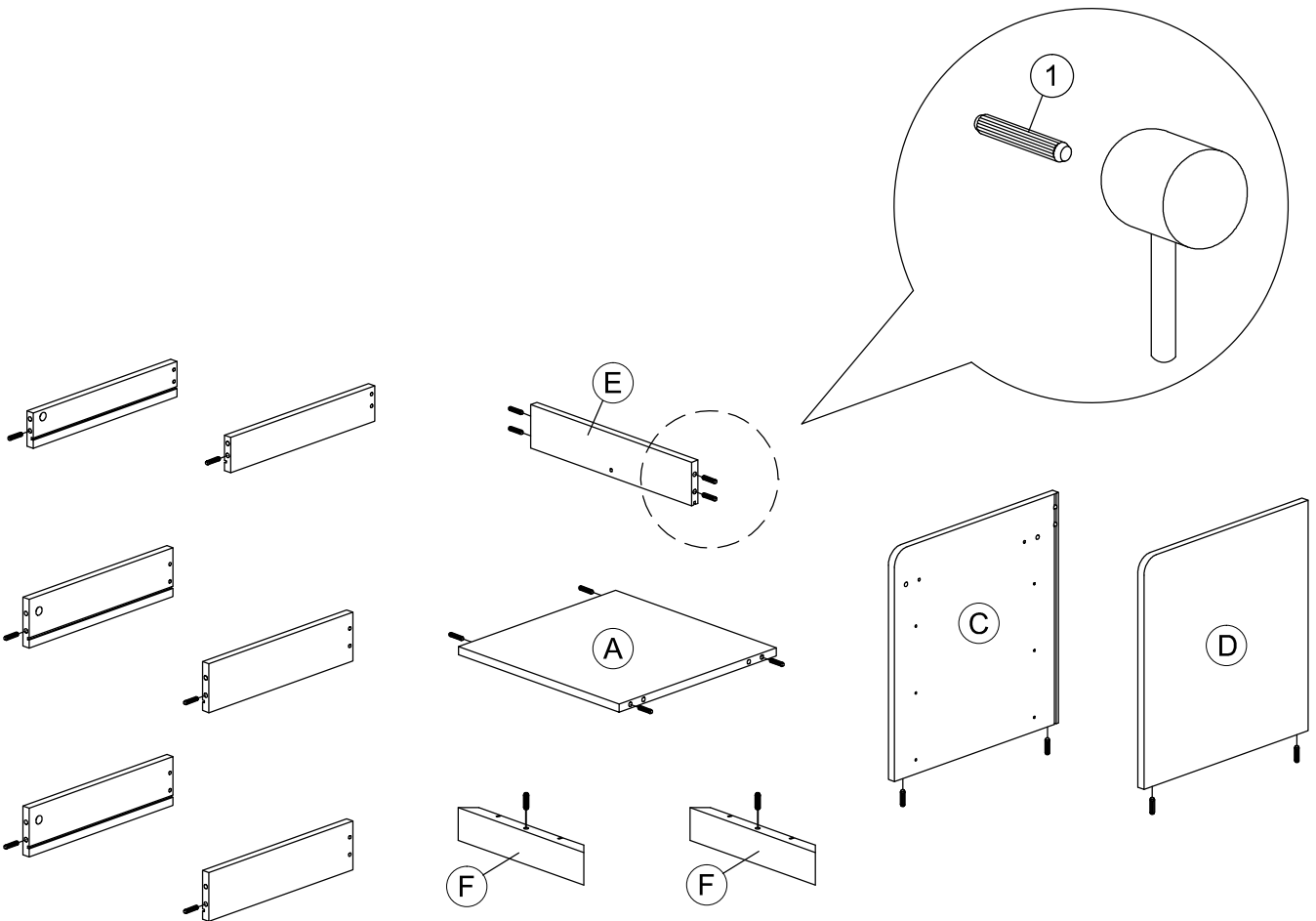
Assembly Instruction

Hardware List

No.	SHAPE	DESCRIPTION	Qty.
1		8x25mm Wood Dowel	20Pcs
2		15MM Myfix Minifix	10Sets
3		M5x8mm Screw (Euro Screw)	12Pcs
4		M3x16mm Screw	4Pcs
5		M3.5x15mm Screw	44Pcs
6		M4x38mm Screw	17Pcs
7		Jcbc 'W' M6 x 40mm	8Pcs
8		L Bracket	4 Pcs

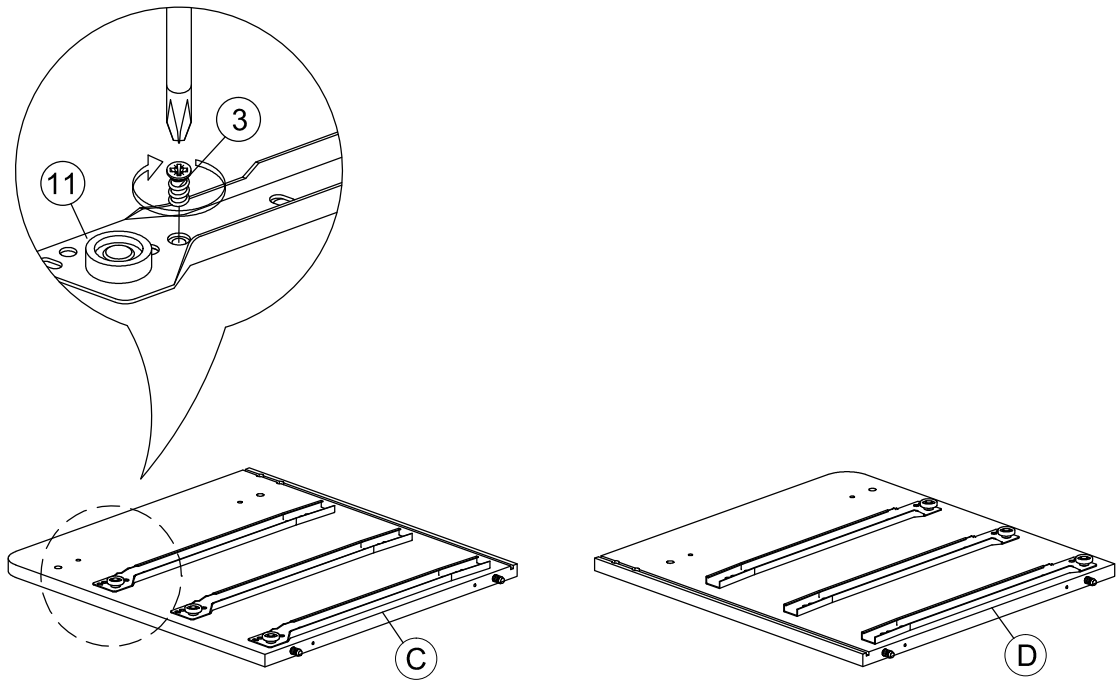
9		Nail Leg	4Pcs
10		Z Bracket (Big)	2Pcs
11		Metal Drawer Slide 14" (350mm)	3 Sets
12		Minifix Cap	6Pcs
13		Metal Corner Bracket	4Pcs
14		L Key	1Pc

STEP 1

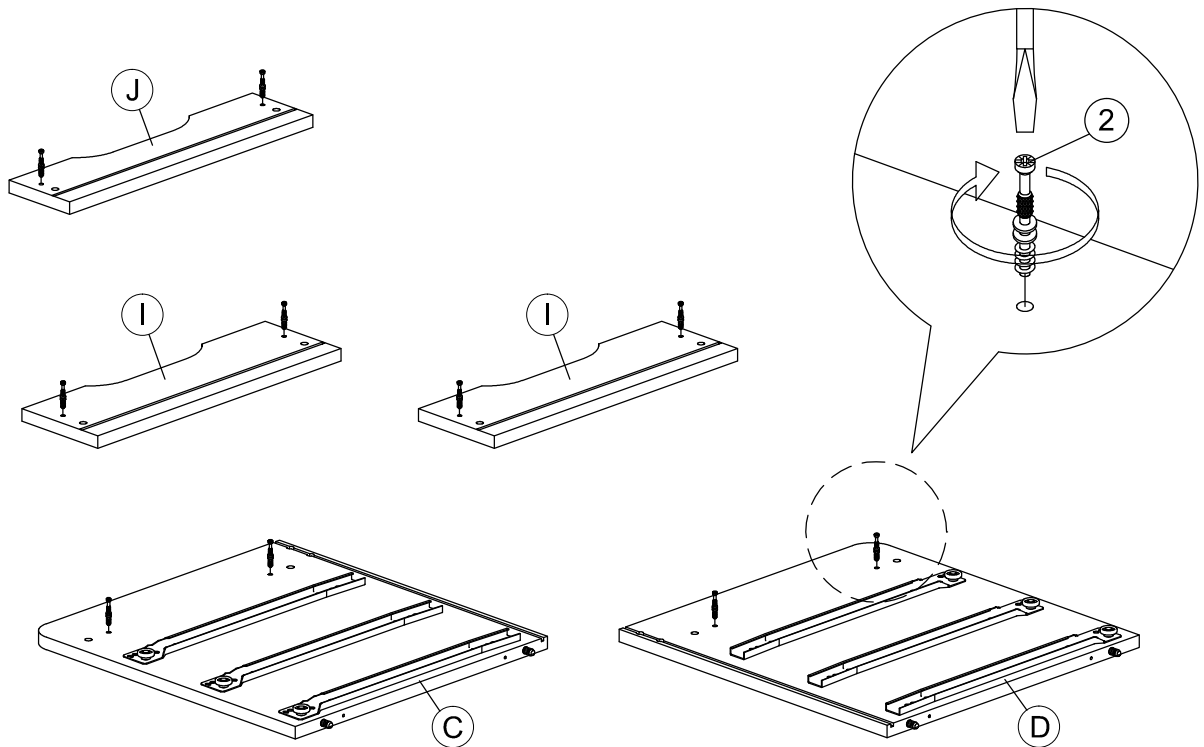


Assembly Instruction

STEP 2

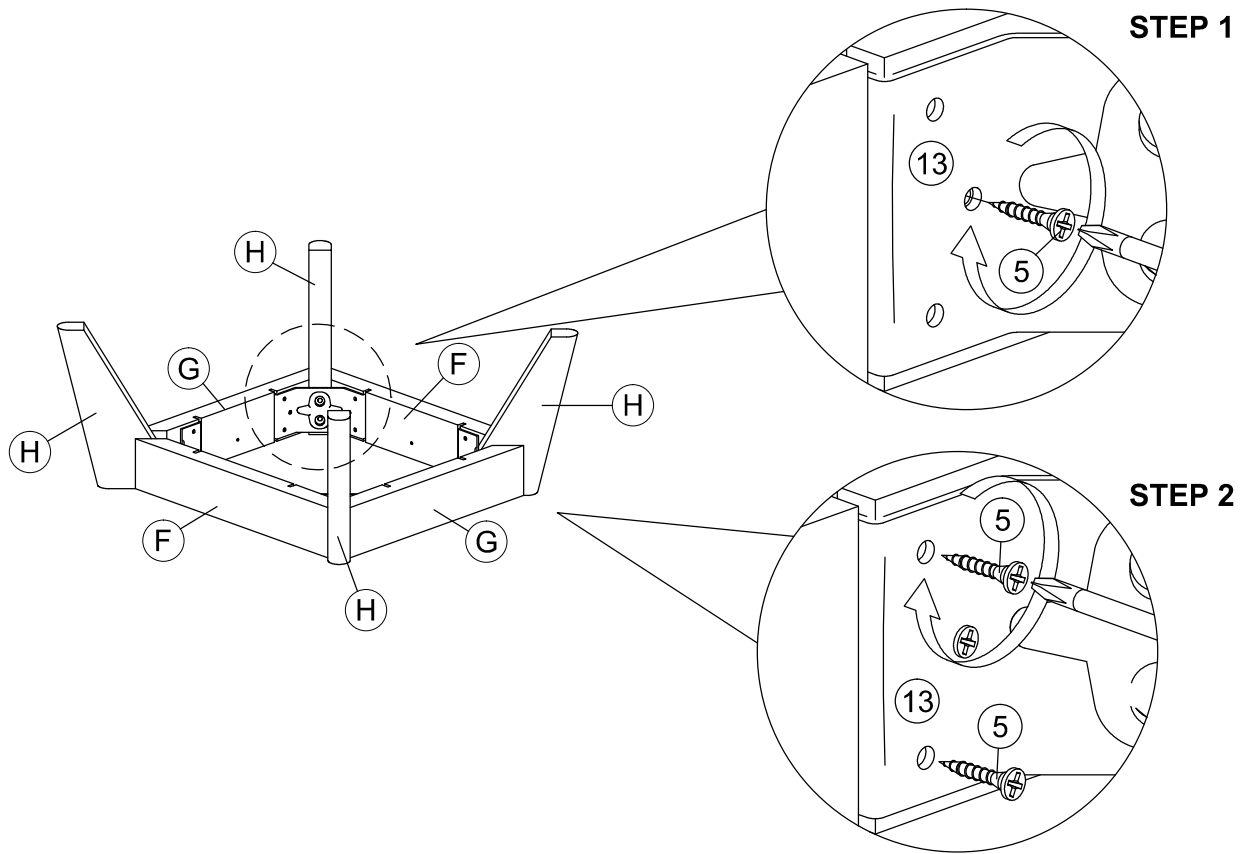


STEP 3

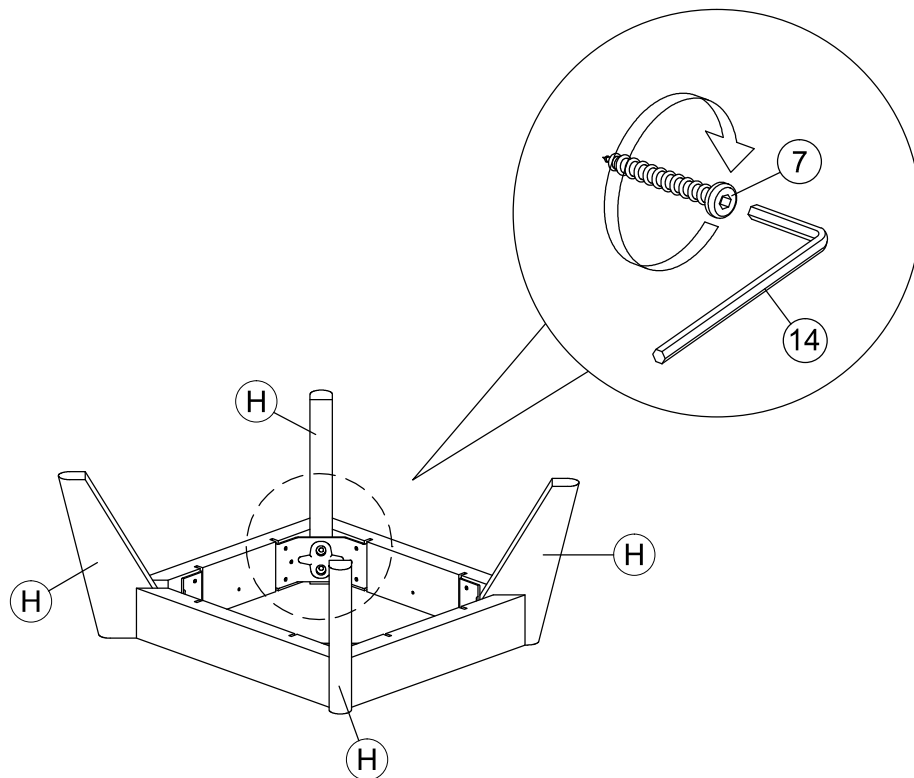


Assembly Instruction

STEP 4

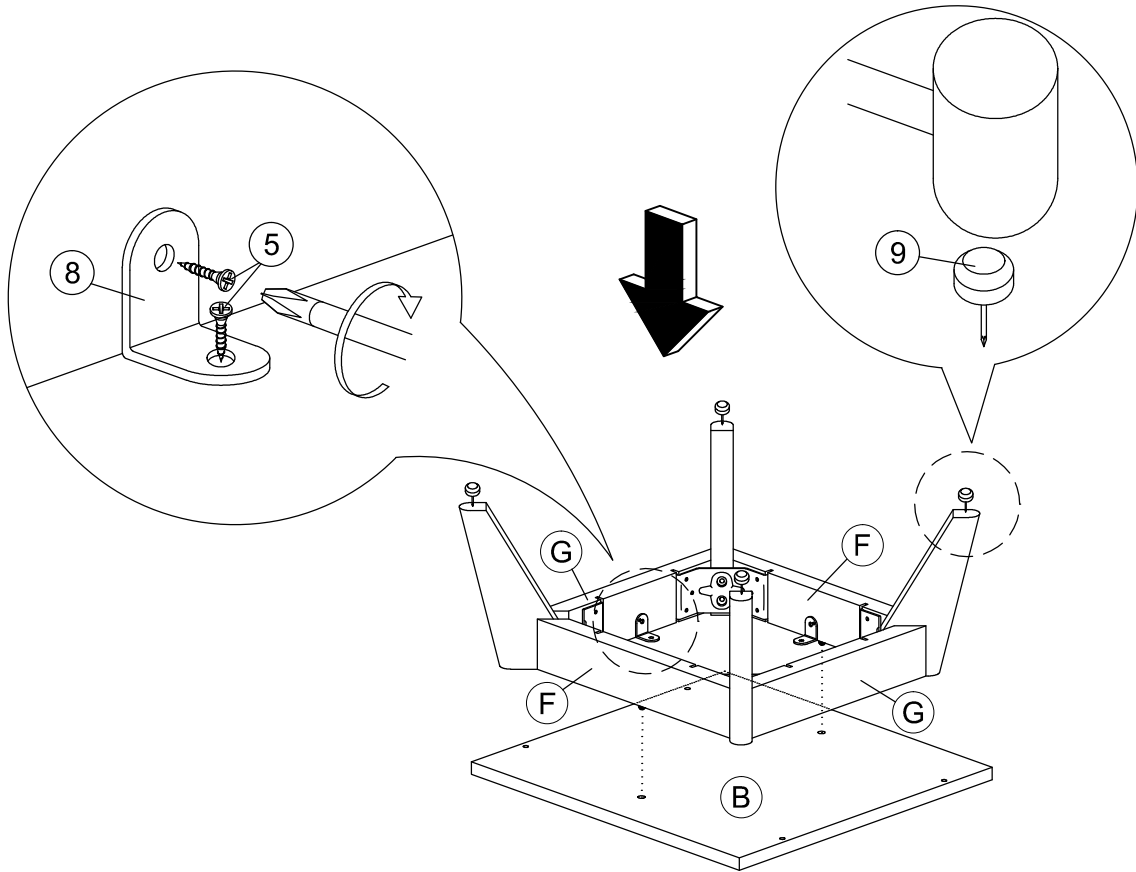


STEP 5

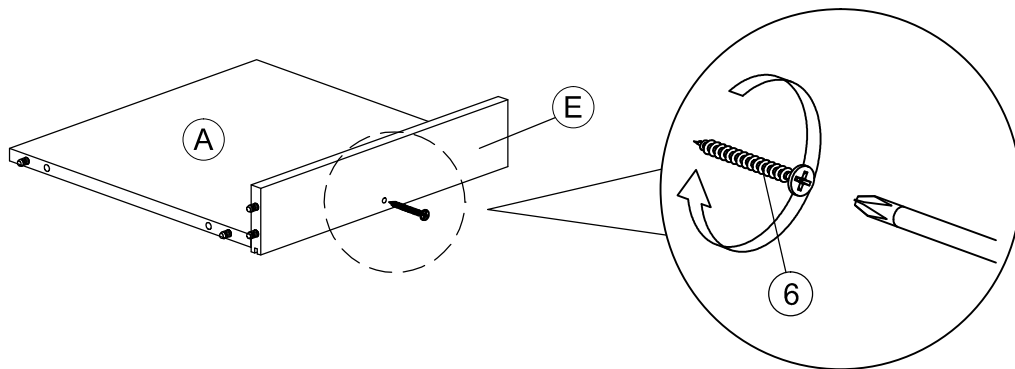


Assembly Instruction

STEP 6

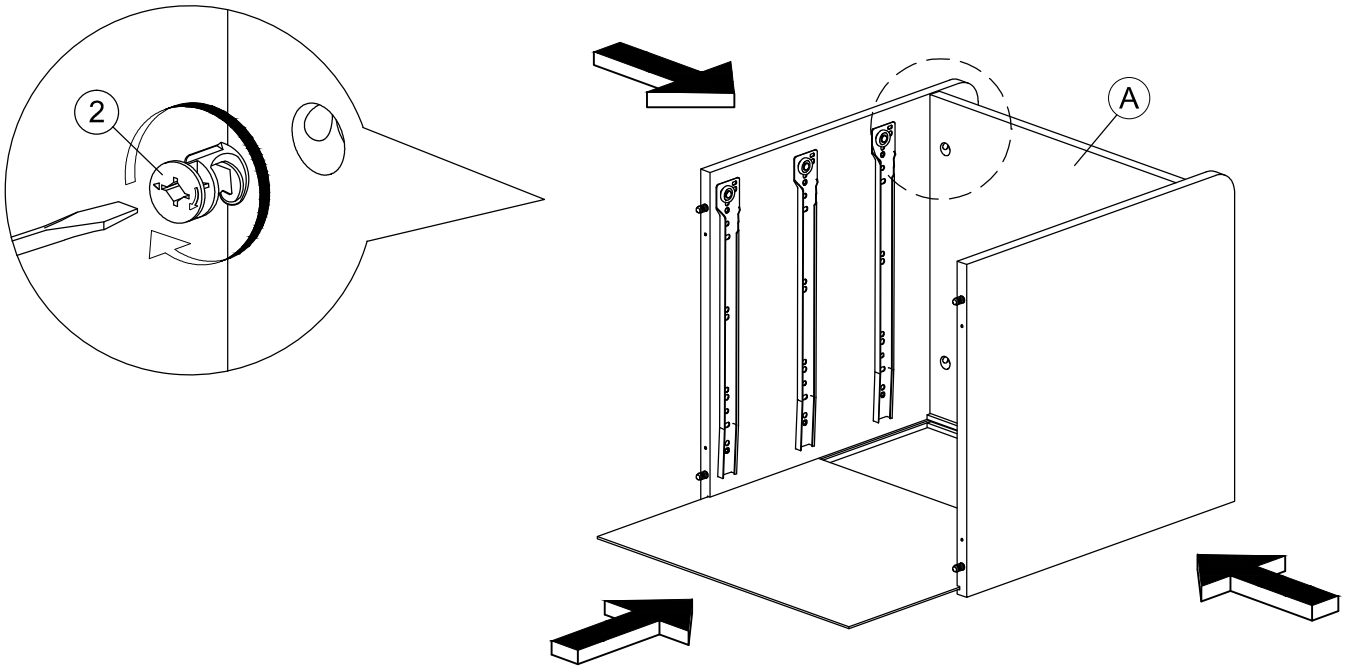


STEP 7

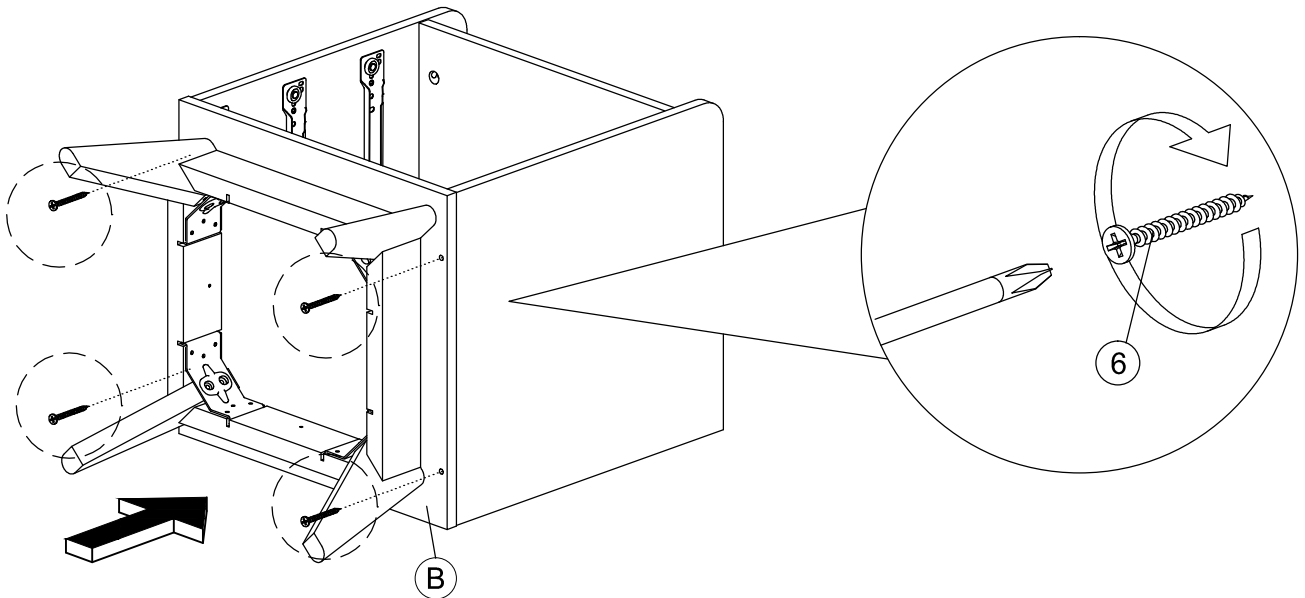


Assembly Instruction

STEP 8

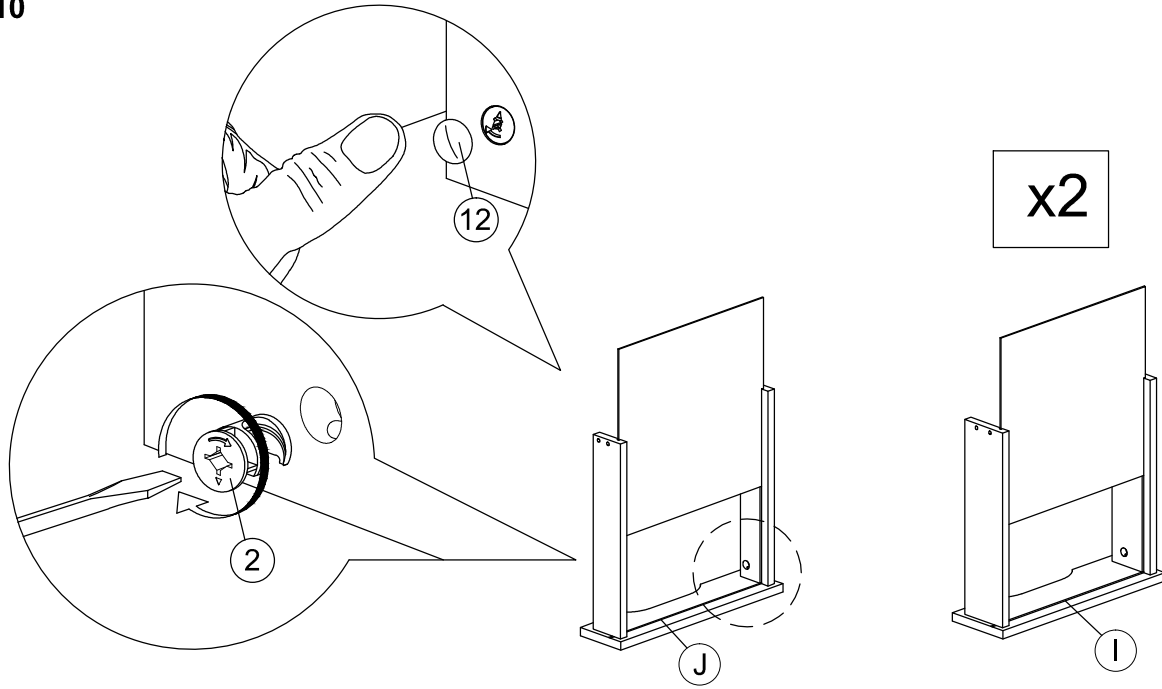


STEP 9

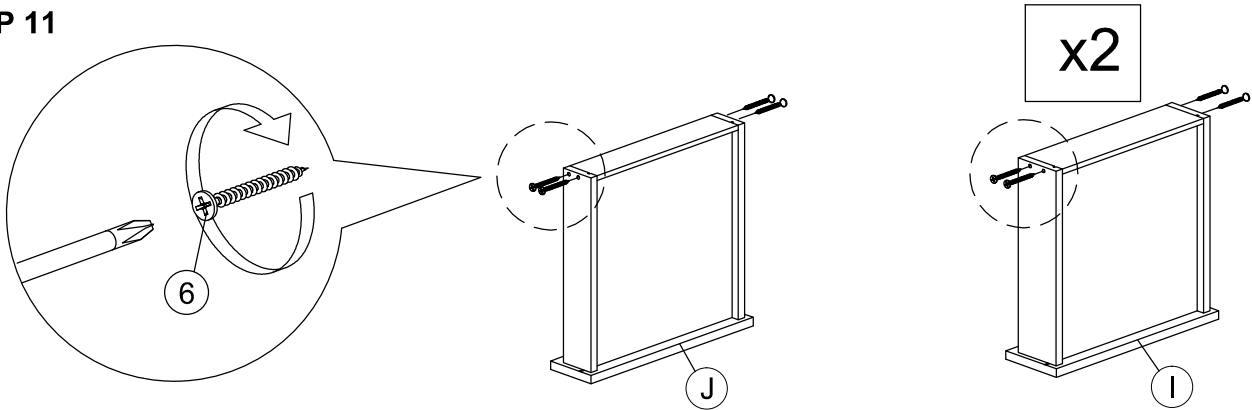


Assembly Instruction

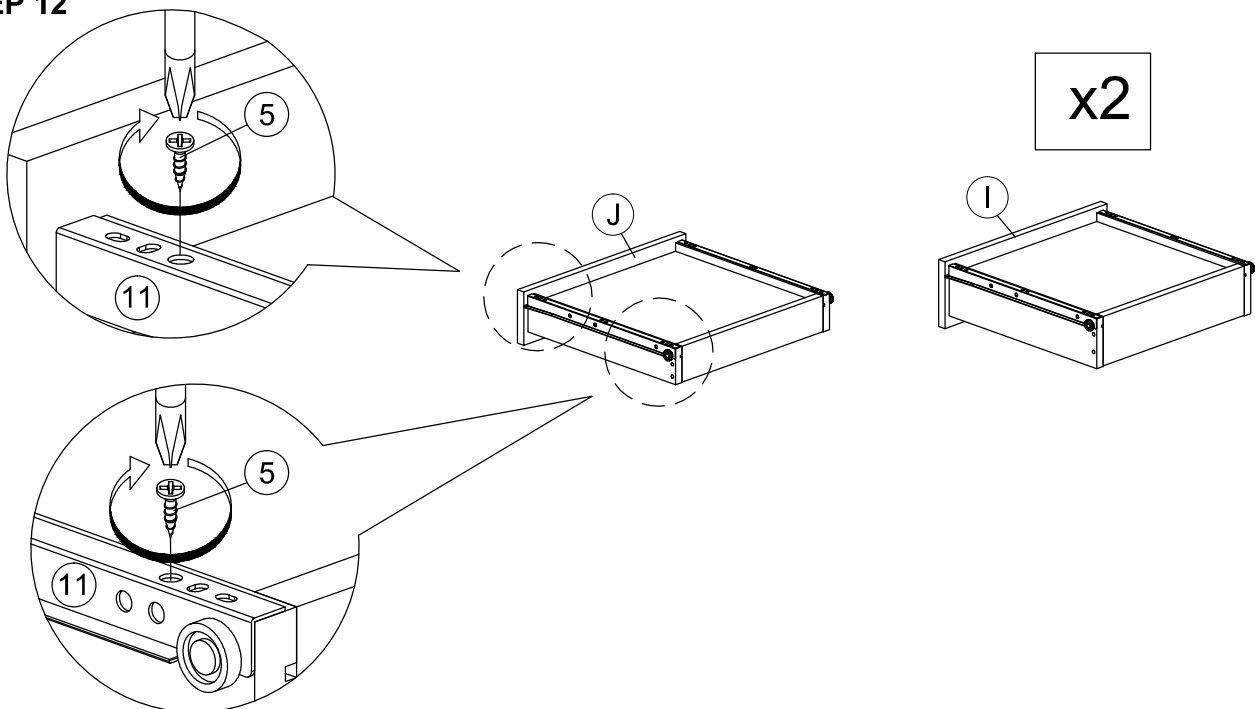
STEP 10



STEP 11

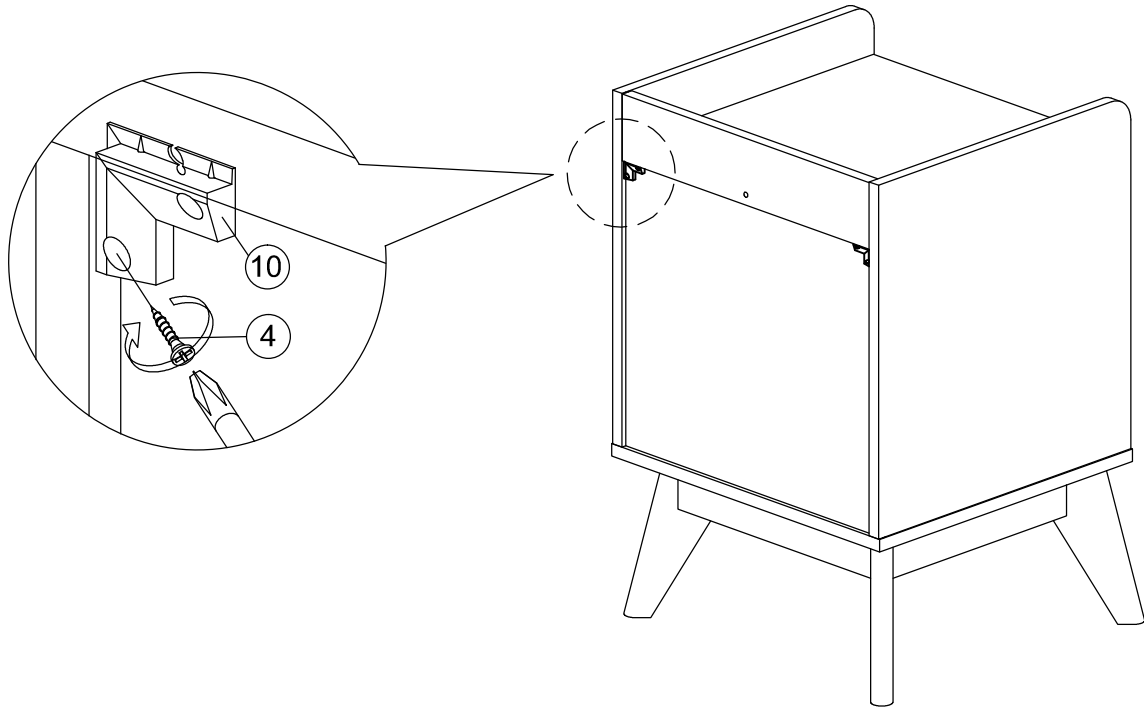


STEP 12

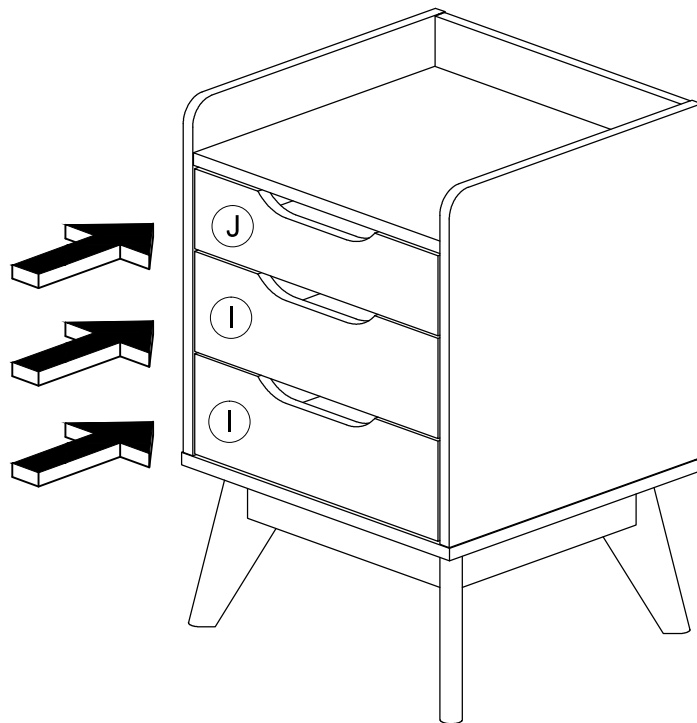


Assembly Instruction

STEP 13

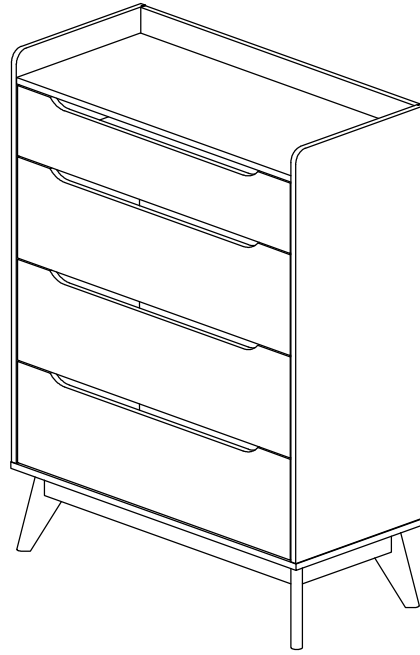


STEP 14

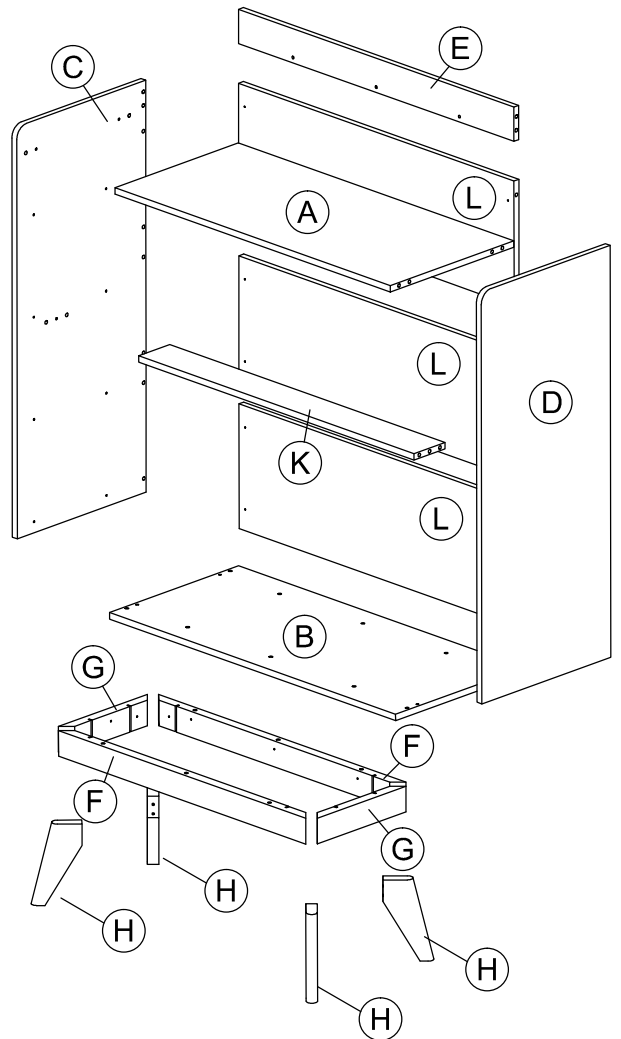
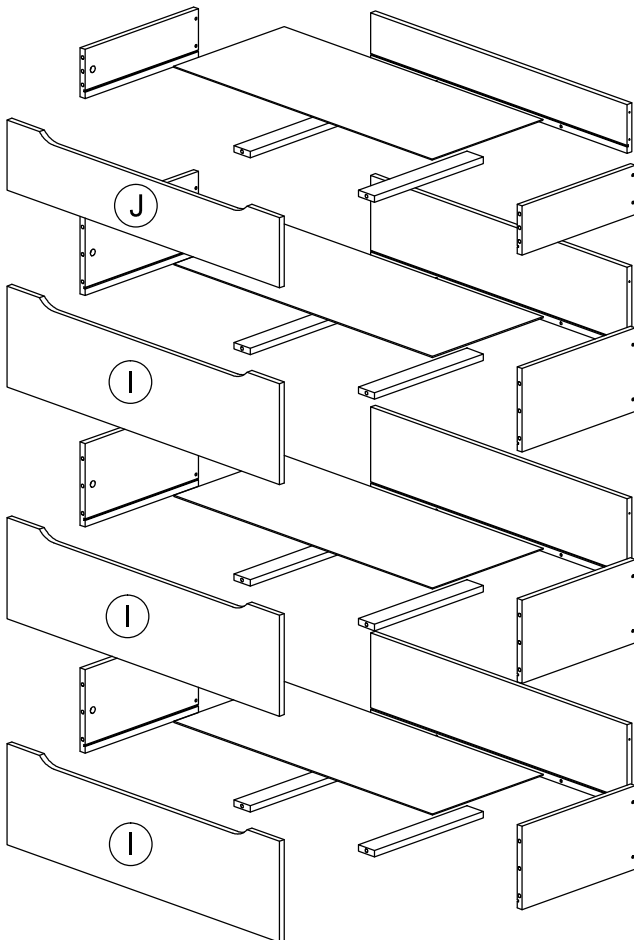


Assembly Instruction

Model : WI7495




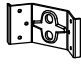

PART LIST




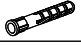



Assembly Instruction

Hardware List

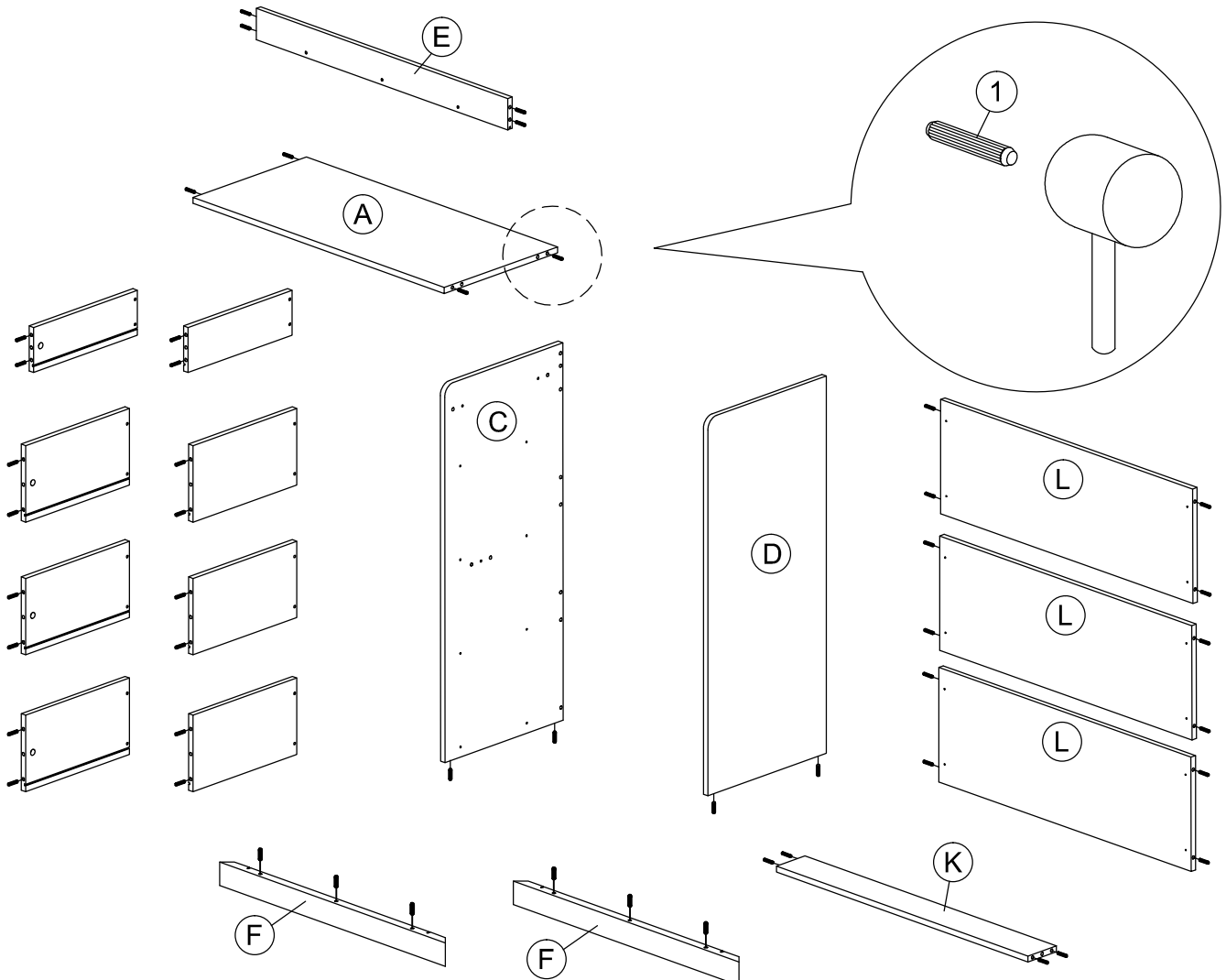
No.	SHAPE	DESCRIPTION	Qty.
1		8x25mm Wood Dowel	50Pcs
2		15MM Myfix Minifix	22Sets
3		M5x8mm Screw (Euro Screw)	16Pcs
4		M3.5x15mm Screw	88Pcs
5		M4x38mm Screw	31Pcs
6		Jcbc 'W' M6 x 40mm	8Pcs
7		L Bracket	20Pcs
8		Nail Leg	4Pcs
9		Metal Drawer Slide 12" (300mm)	4Sets

10		Minifix Cap	8Pcs
11		Metal Corner Bracket	4Pcs
12		L Key	1Pc

Packing Tipping Restraint

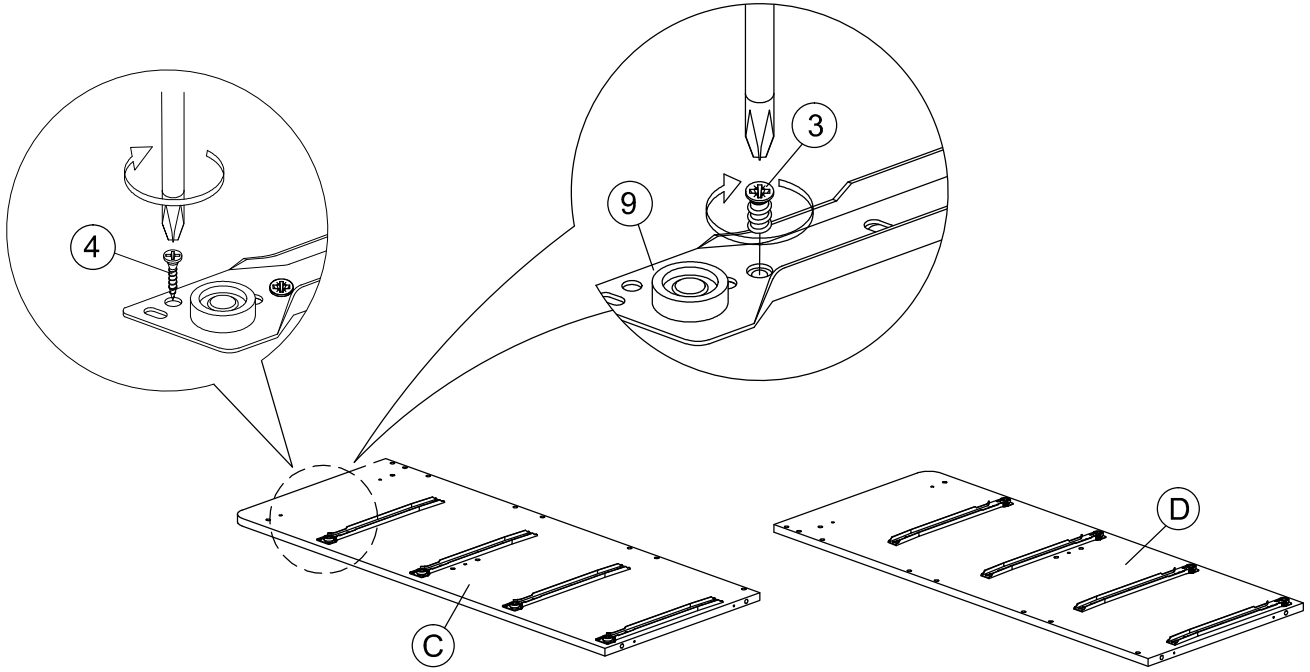
13		M3.5x15mm Screw	2Pcs
14		Wall Plug	2Pcs
15		M4x30mm Screw	2Pcs
16		Safety Strap	2Pcs
17		Flat Washer 6x19x2mm	4Pcs

STEP 1

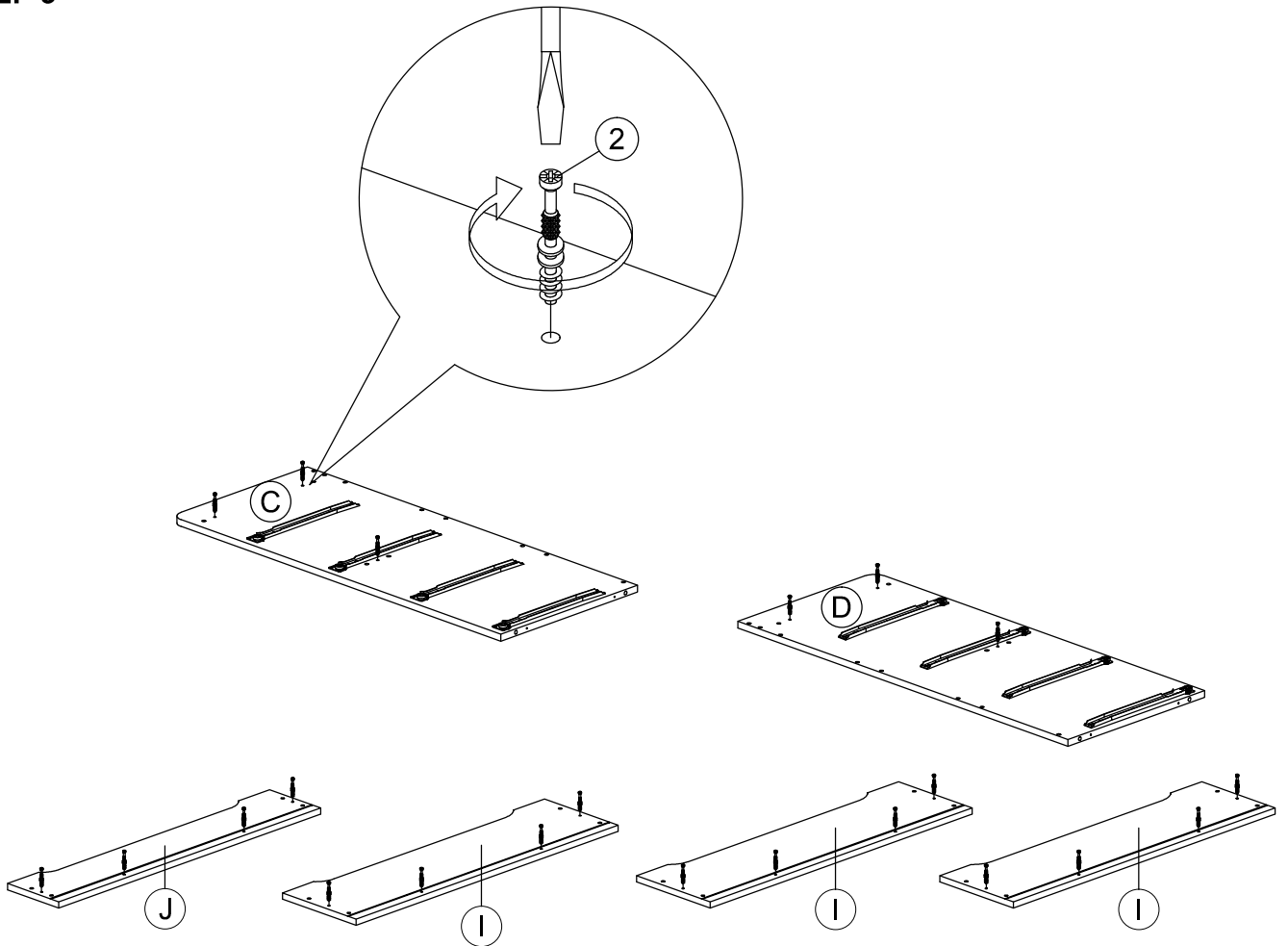


Assembly Instruction

STEP 2

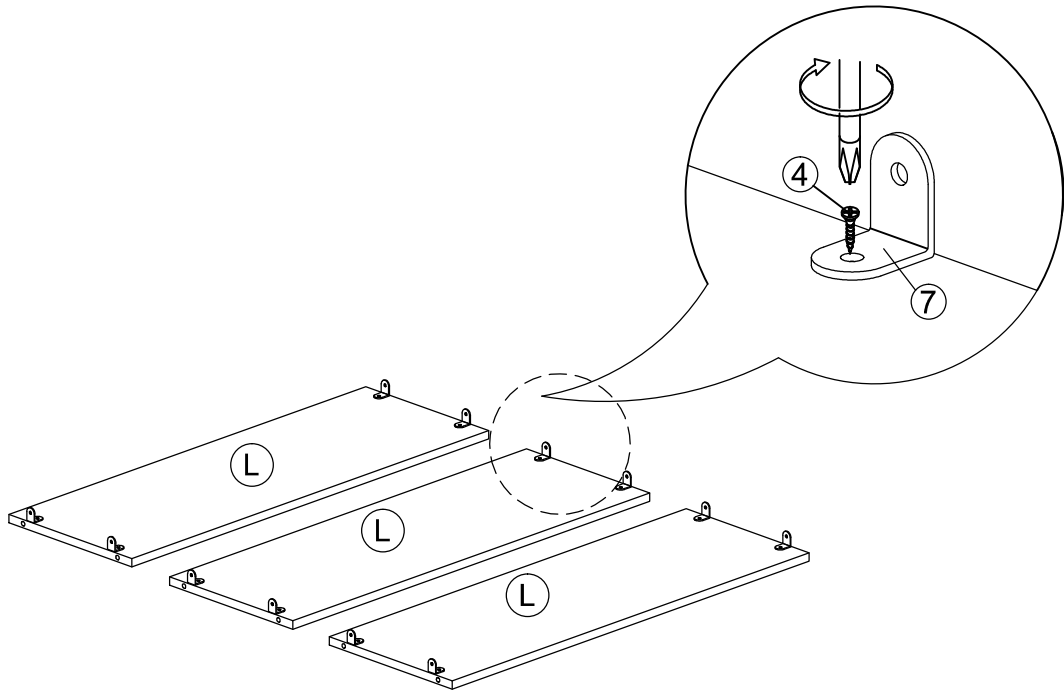


STEP 3

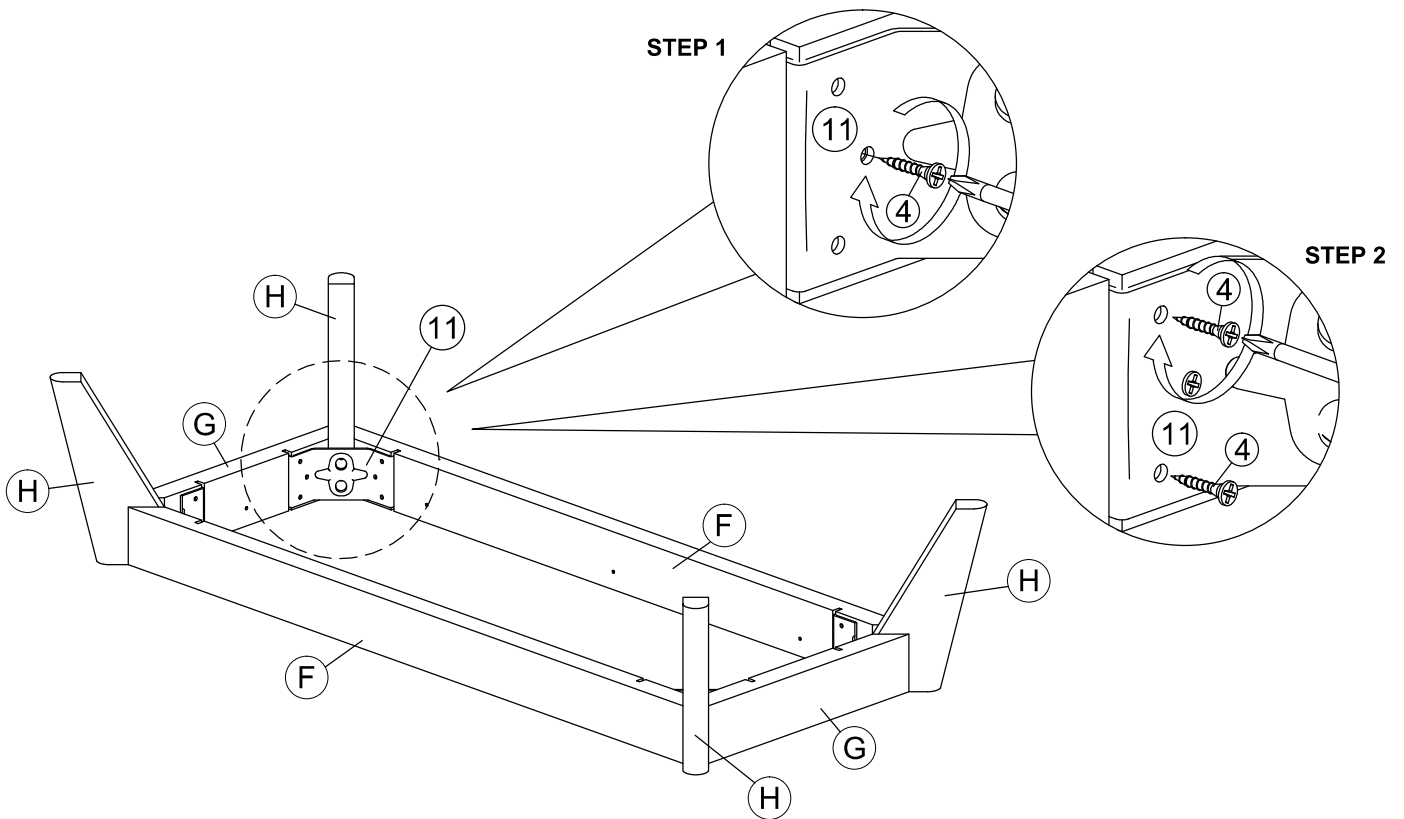


Assembly Instruction

STEP 4

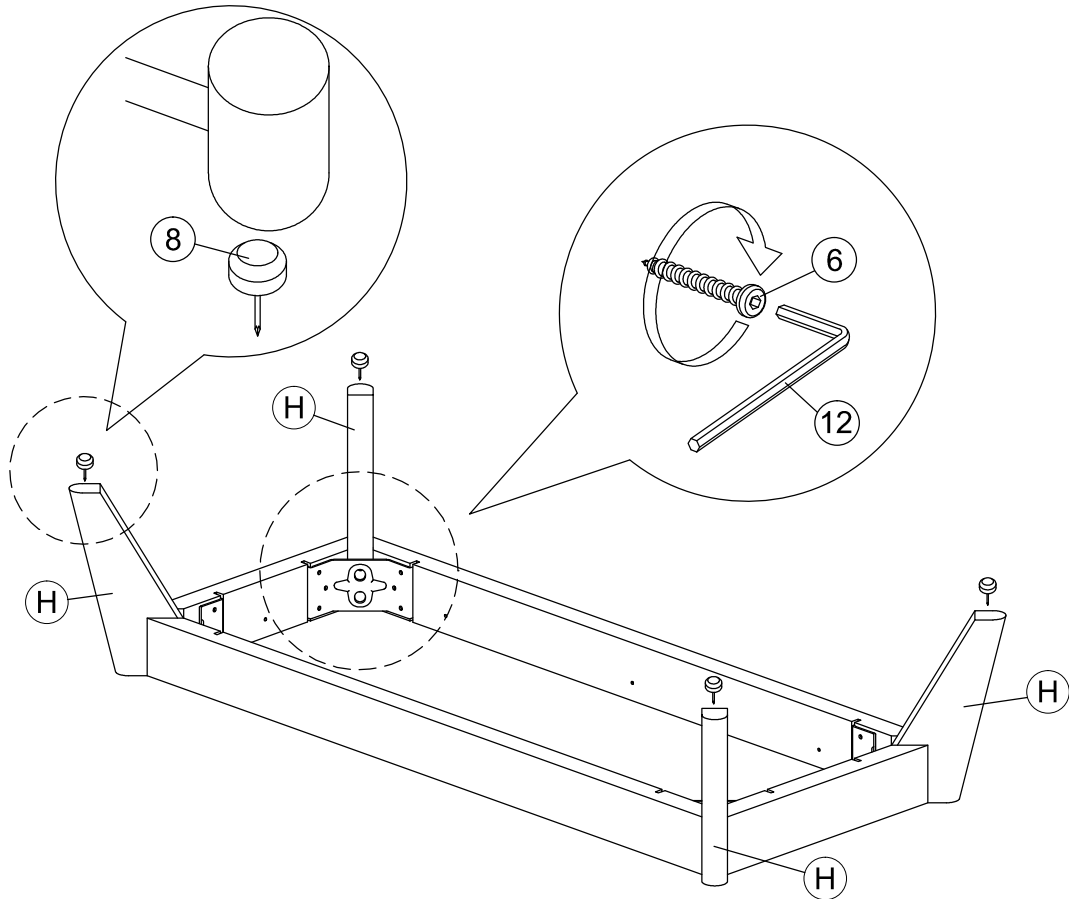


STEP 5

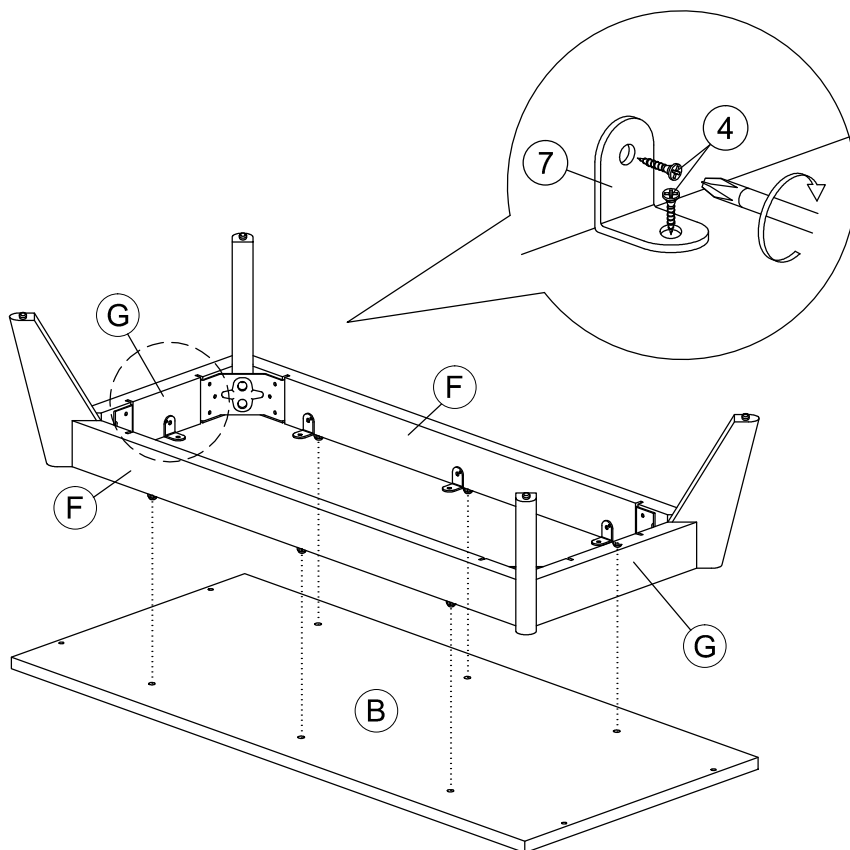


Assembly Instruction

STEP 6

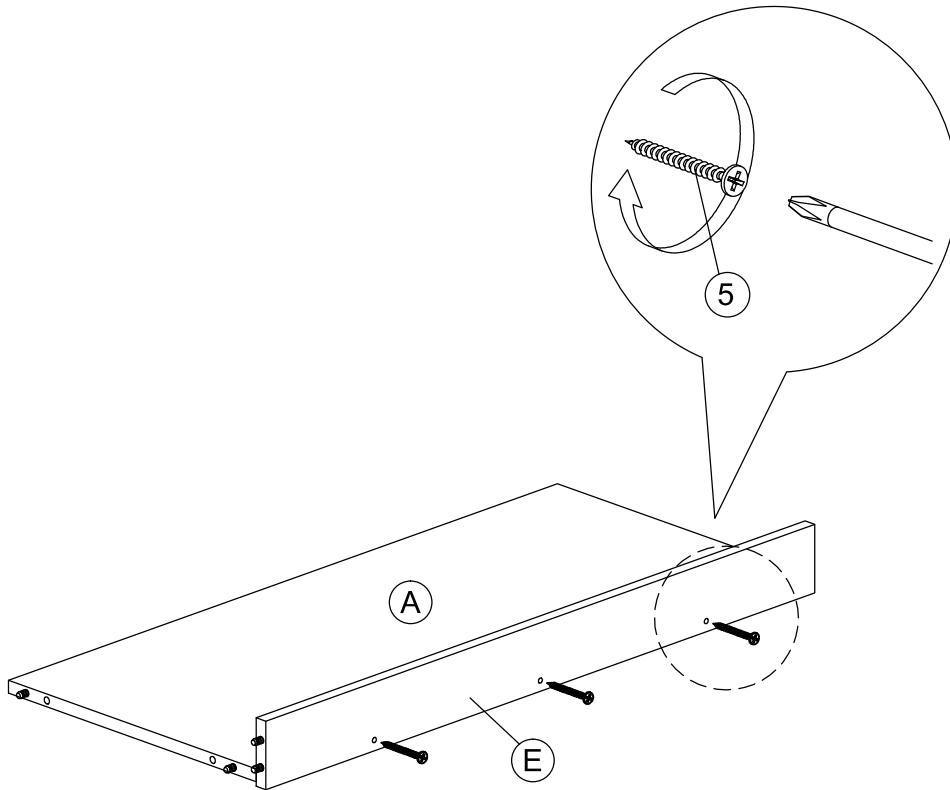


STEP 7

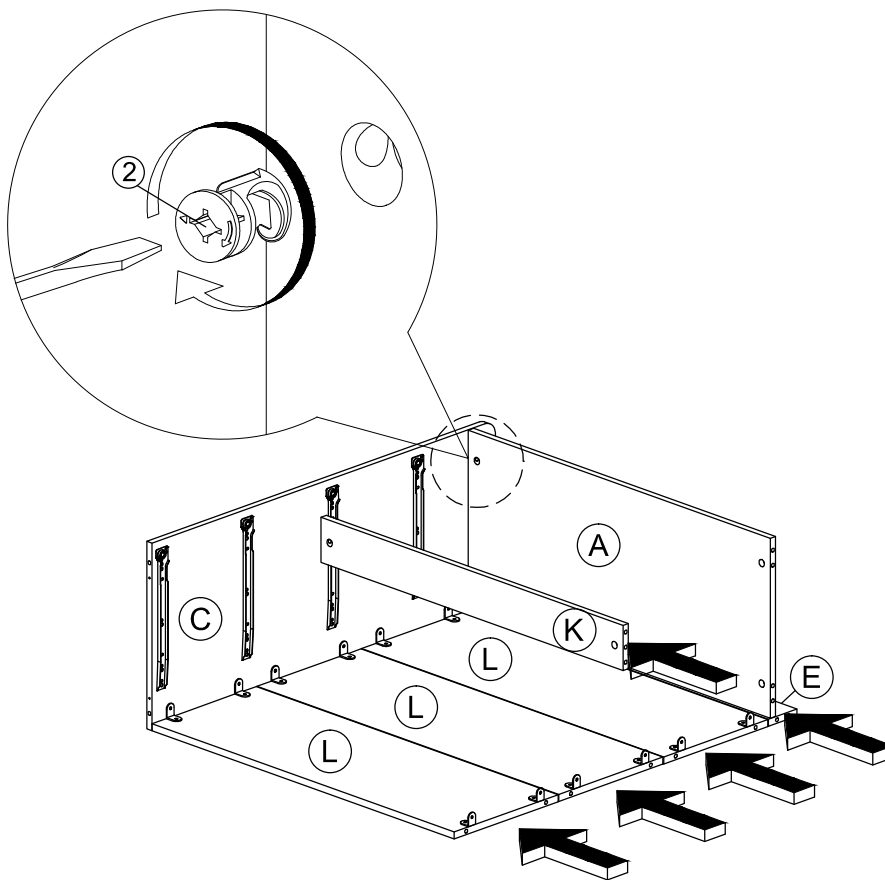


Assembly Instruction

STEP 8

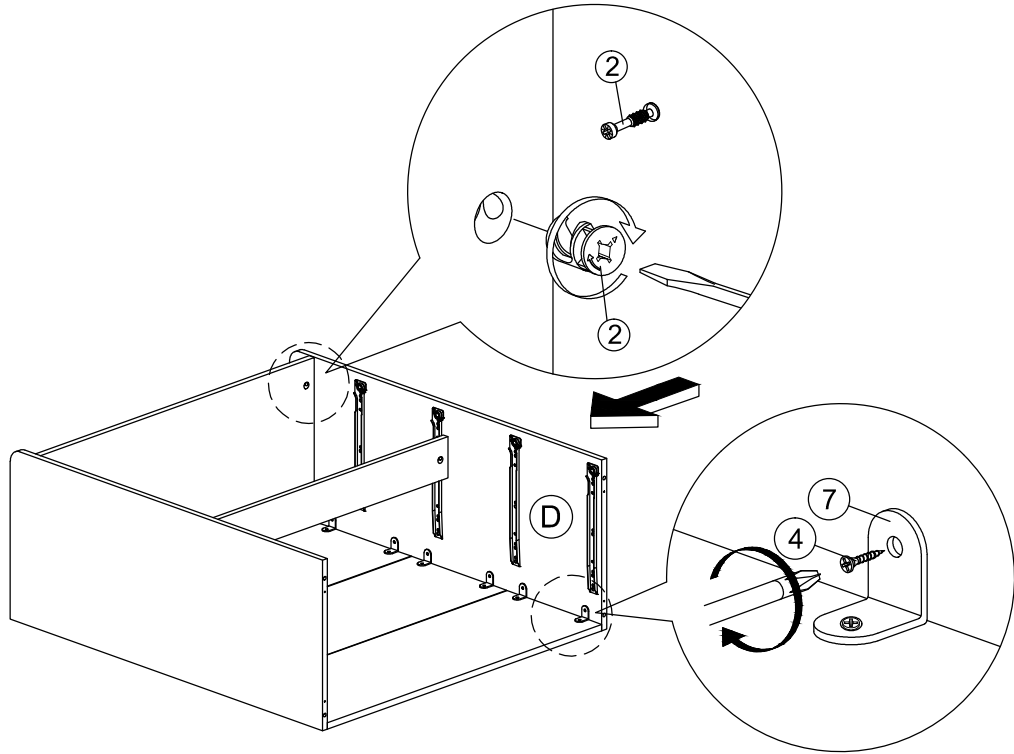


STEP 9

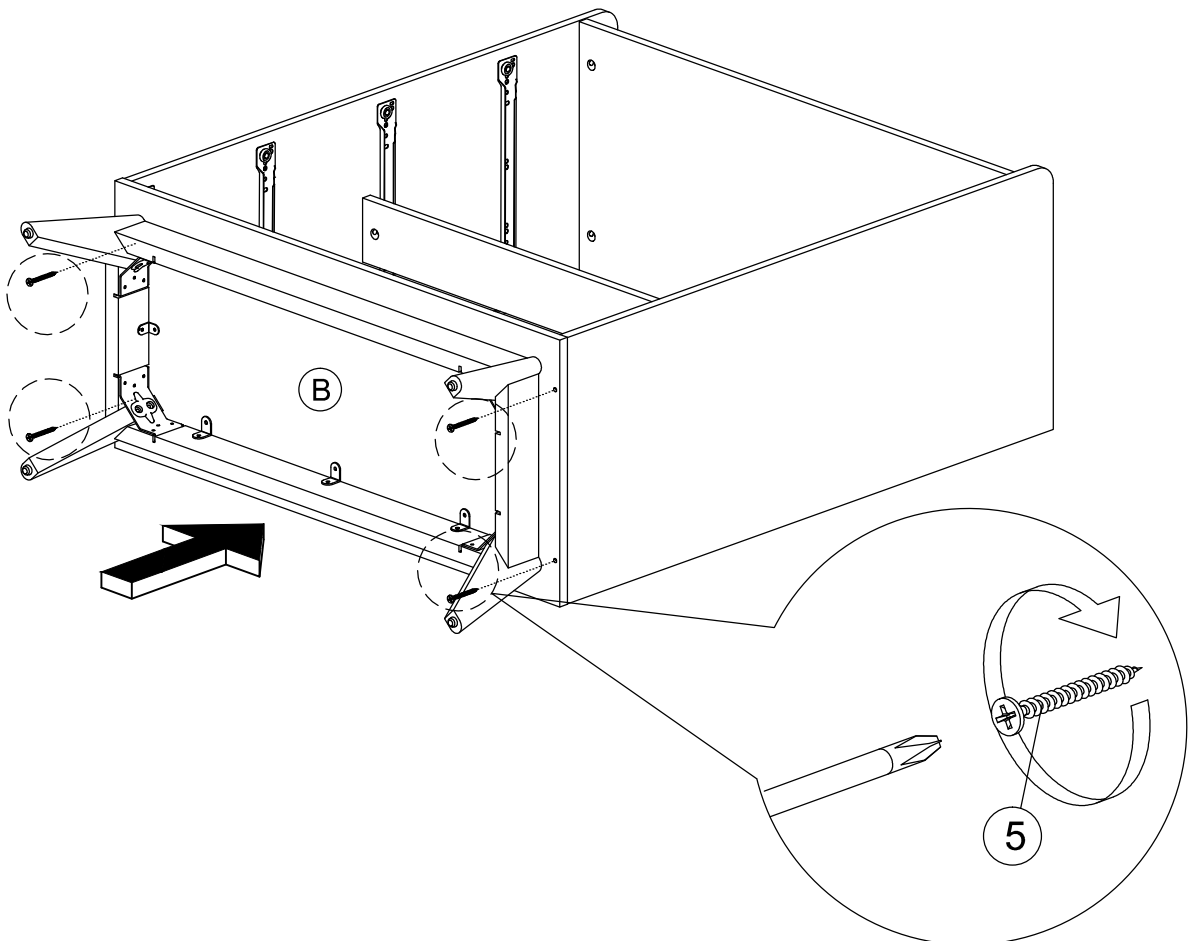


Assembly Instruction

STEP 10

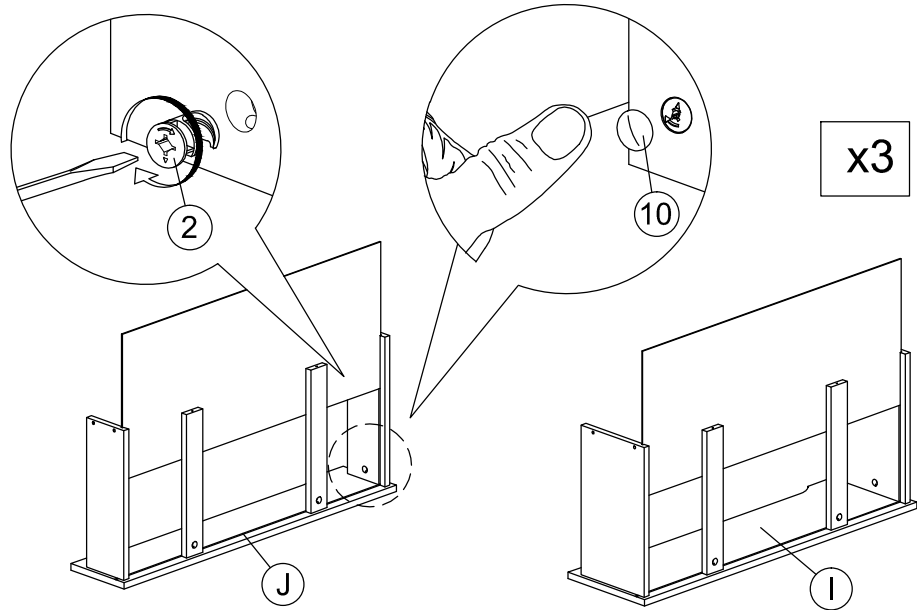


STEP 11

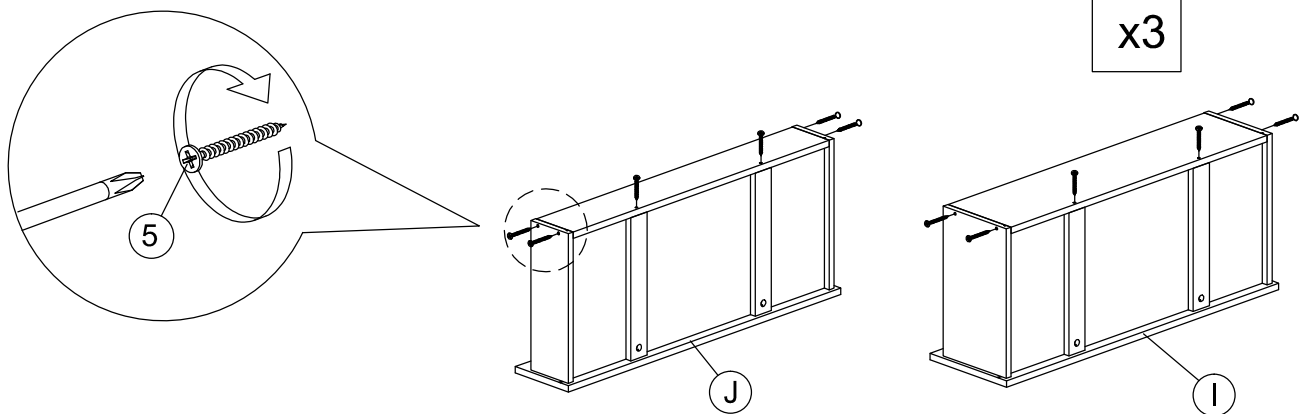


Assembly Instruction

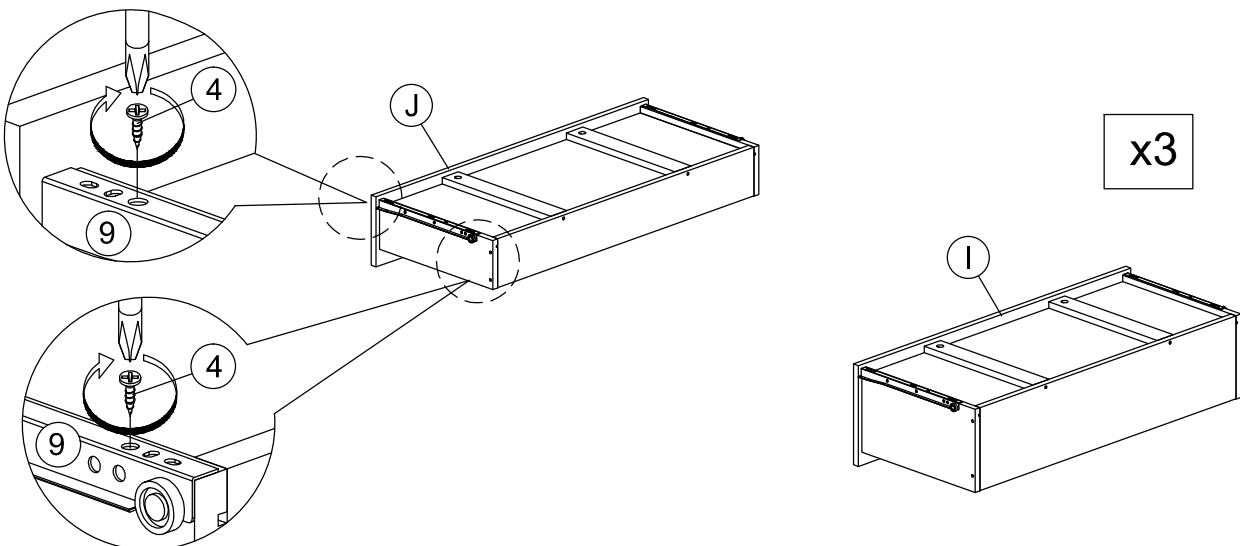
STEP 12



STEP 13

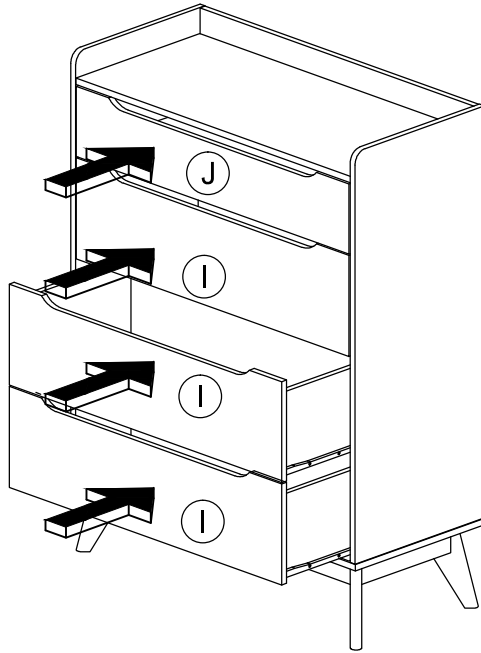


STEP 14

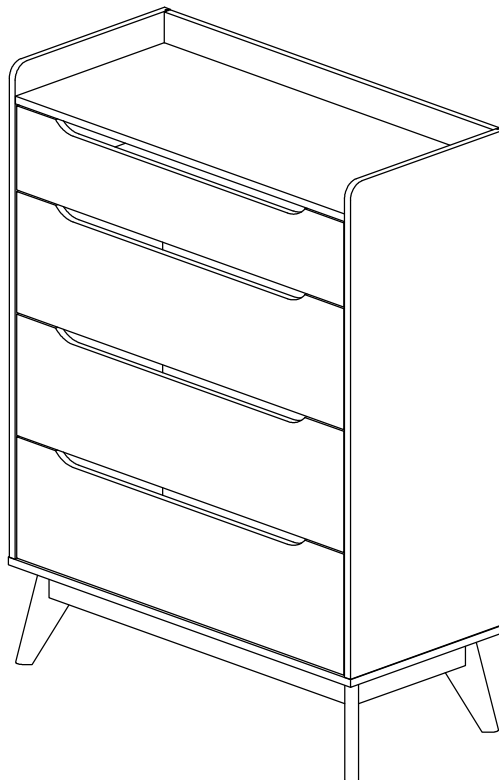


Assembly Instruction

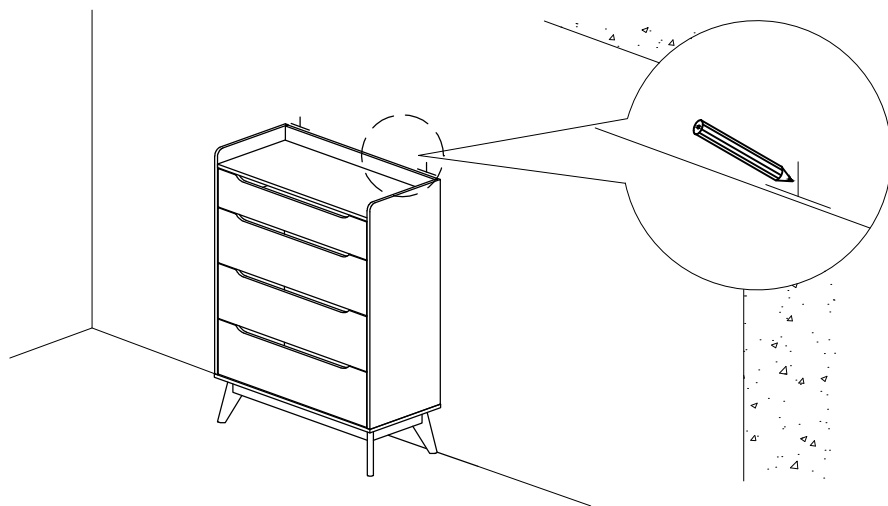
STEP 15



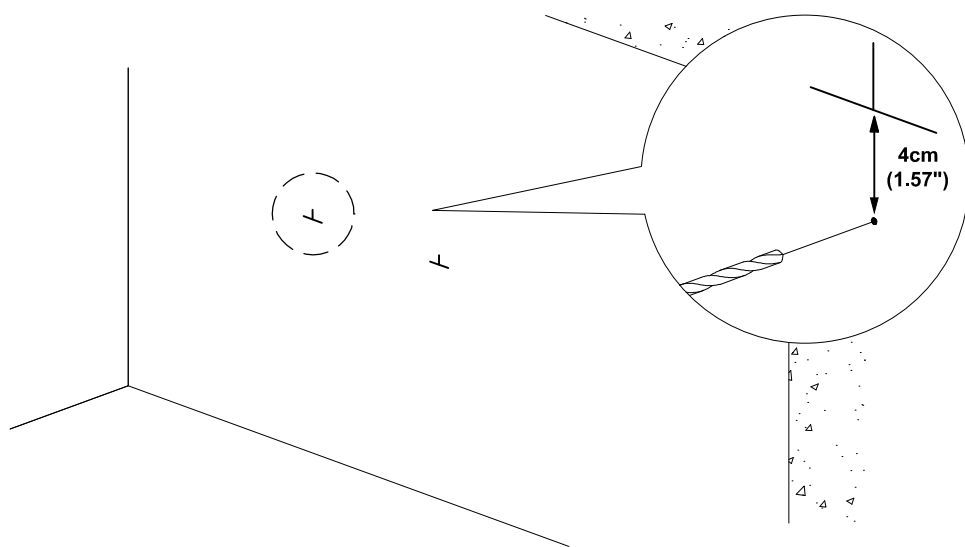
STEP 16



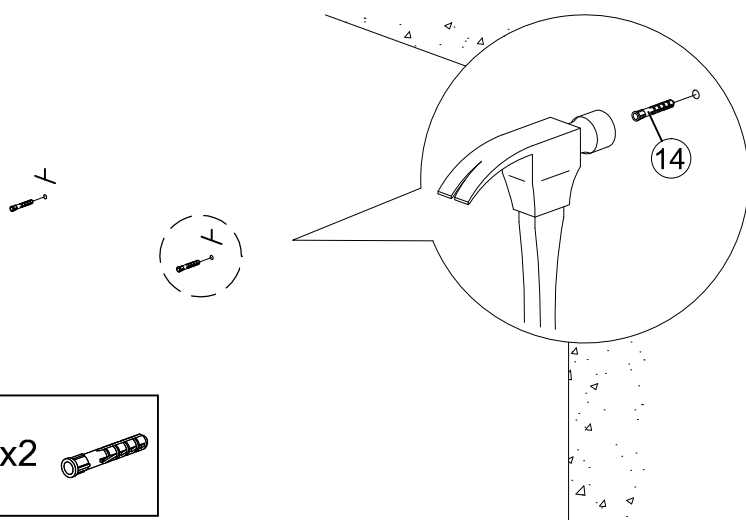
FURNITURE TIPPING RESTRAINT



1. First mark the wall with pencil as in diagram.



2. Drill small hole at the pencil mark.

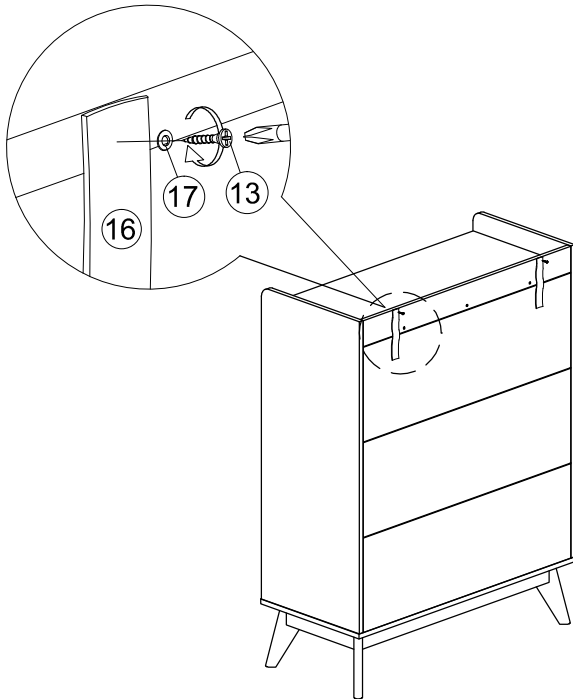


3. Insert plastic wall plug (14).

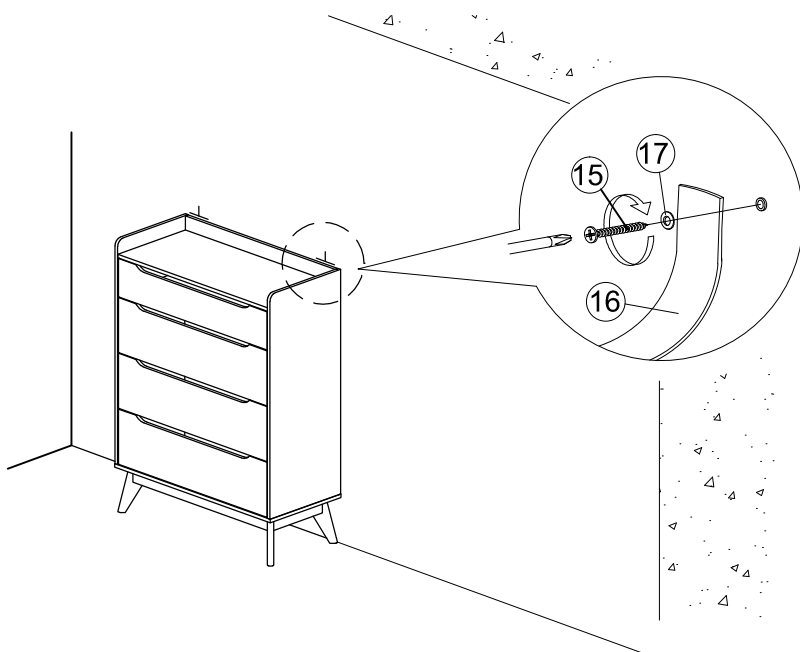
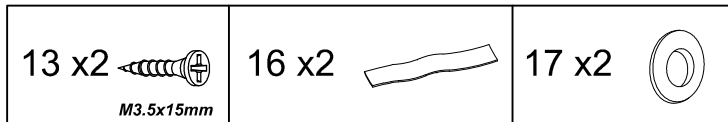
14 x2



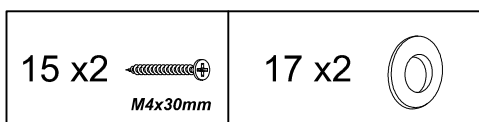
FURNITURE TIPPING RESTRAINT

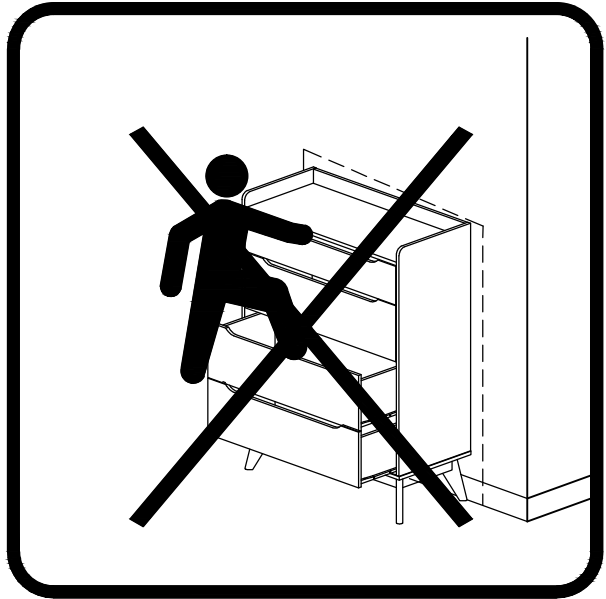
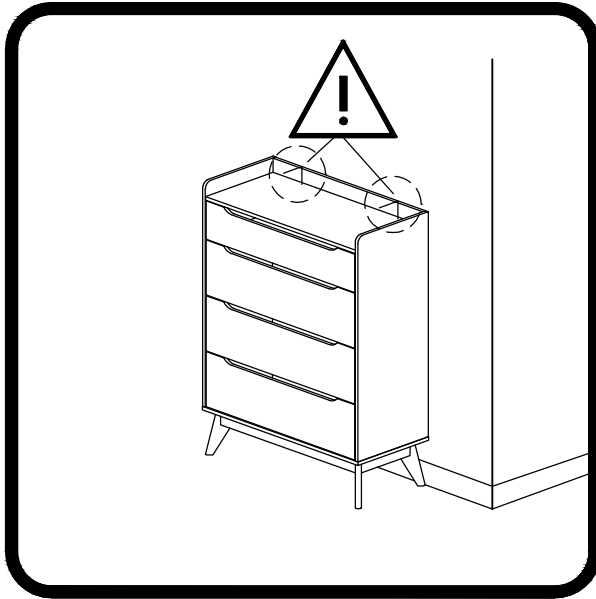


4. Add safety strap (16), washer (17) using 3.5x15mm screw (13) to back of cabinet.



5. Finally, attach safety strap (16) and washer (17) using 4x30mm screw (15) to the wall.





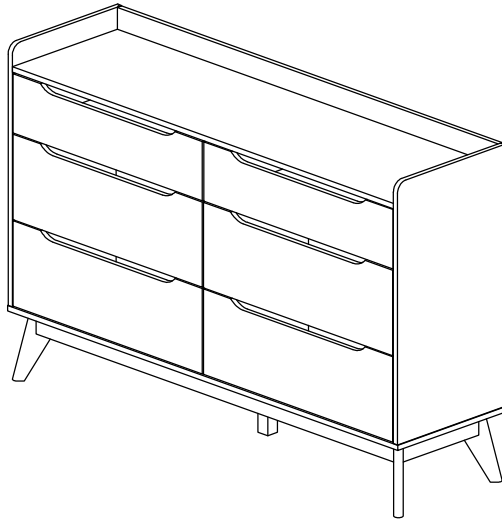
⚠ WARNING	
	<p>Serious or fatal crushing injuries can occur from furniture tip-over. To help prevent tip-over:</p> <ul style="list-style-type: none"> • Install tipover restraint provided. • Place heaviest items in the lowest drawers. • Do not set TV's or other heavy objects on top of this product, unless the product is specifically designed to accommodate them. • Never allow children to climb or hang on drawers, doors, or shelves. • Never open more than one drawer at a time. <p>(OR)</p> <ul style="list-style-type: none"> • Do not defeat or remove the drawer interlock system. <p>Use of tip-over restraints may only reduce, but not eliminate, the risk of tip-over.</p> <p><i>This is a permanent label. Do not remove!</i></p>



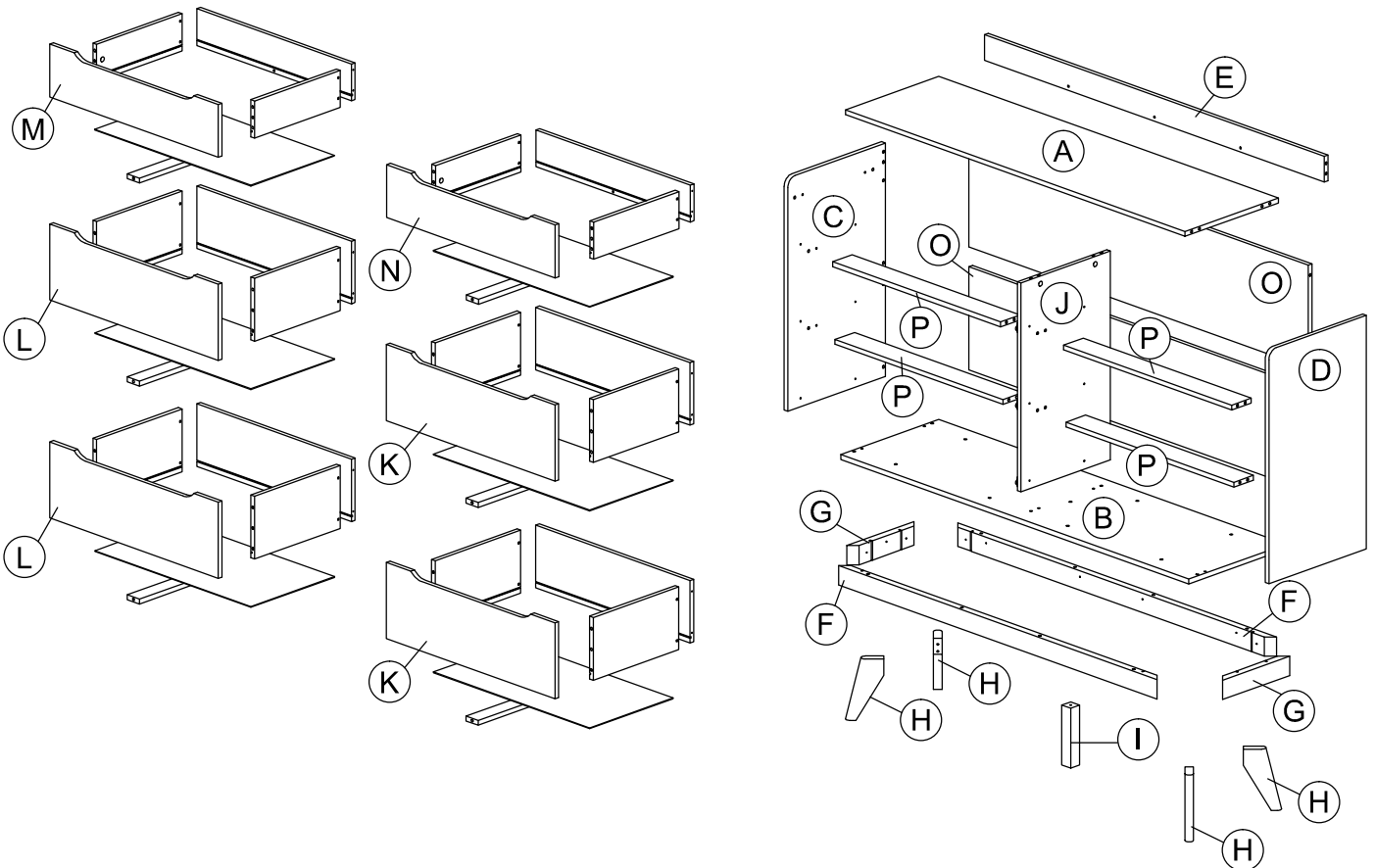
Anti-Topple hardware included for added safety and stability

Assembly Instruction

Model : WI7496




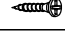







PART LIST








Assembly Instruction

Hardware List

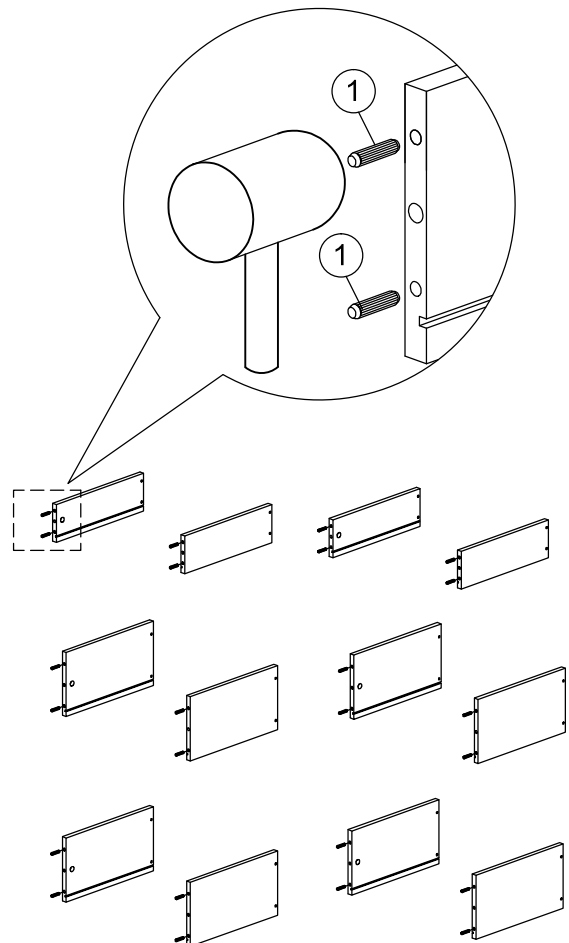
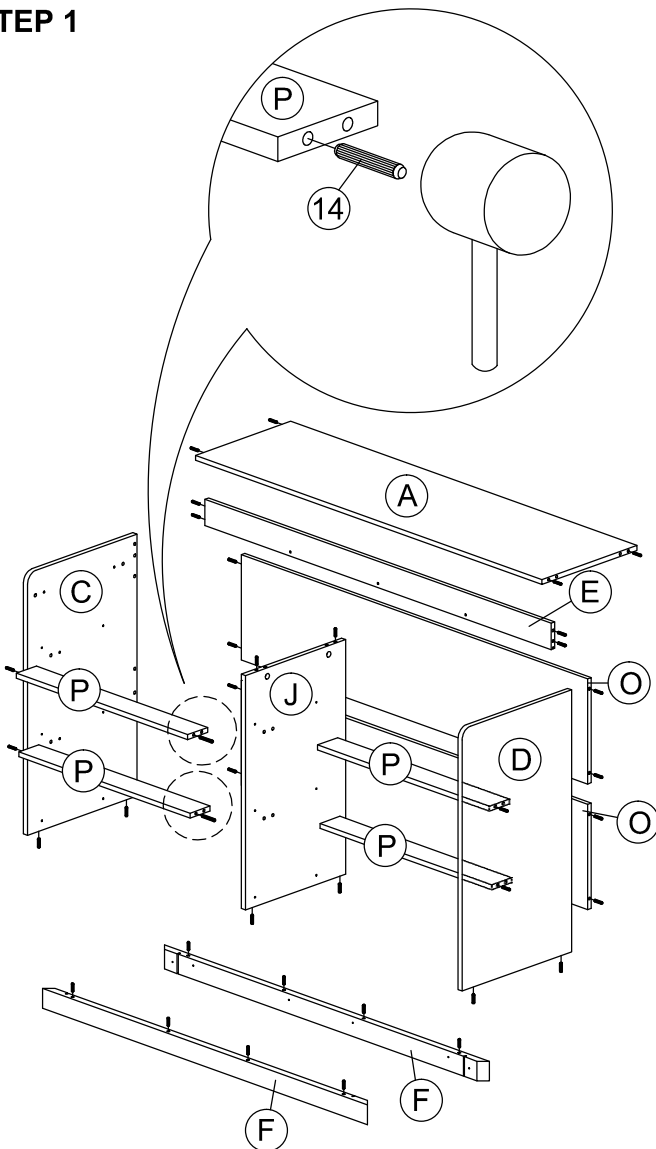
No.	SHAPE	DESCRIPTION	Qty.
1		8x25mm Wood Dowel	60Pcs
2		15MM Myfix Minifix	28Sets
3		M5x8mm Screw (Euro Screw)	24Pcs
4		M3.5x15mm Screw	96Pcs
5		M4x38mm Screw	39Pcs
6		Jcbc 'W' M6 x 40mm	9Pcs
7		L Bracket	18Pcs
8		Nail Leg	4Pcs
9		Metal Drawer Slide 12" (300mm)	6 Sets

10		Minifix Cap	12Pcs
11		Metal Corner Bracket	4Pcs
12		L Key	1Pc
13		Adjust Screw	1Pc
14		8x40mm Wood Dowel	2Pcs
15		15MM (DOUBLE) 63mm Myfix Minifix	2Sets

Packing Tipping Restraint

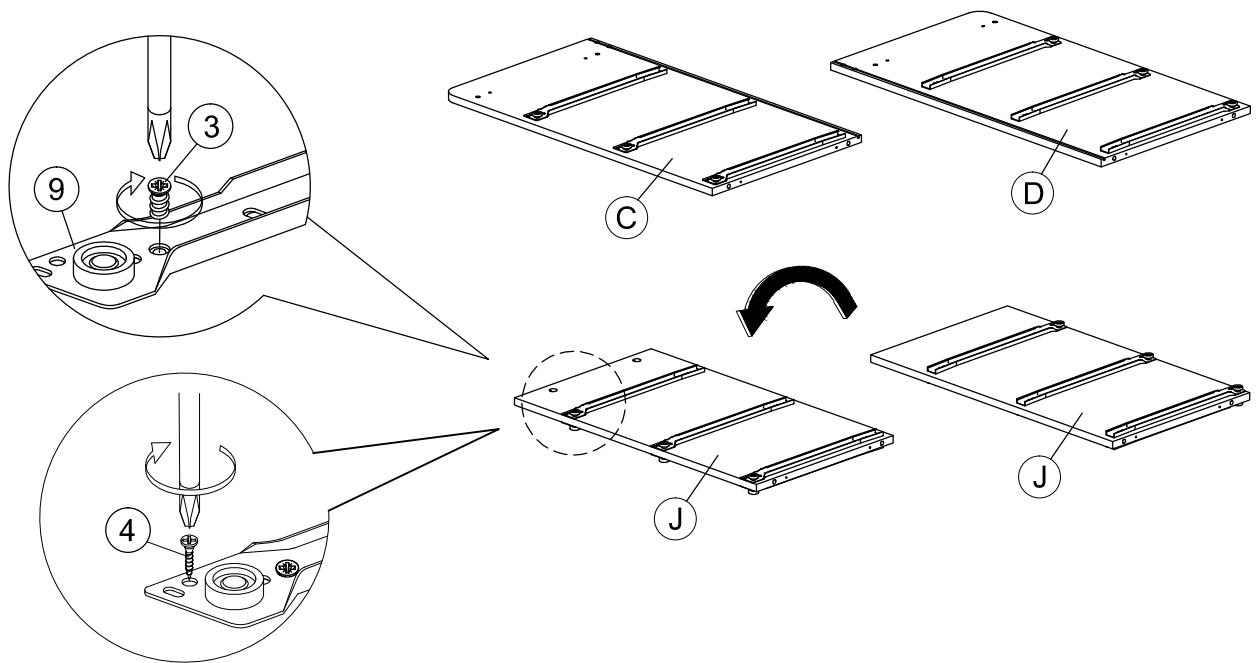
16		M3.5x15mm Screw	2Pcs
17		Wall Plug	2Pcs
18		M4x30mm Screw	2Pcs
19		Safety Strap	2Pcs
20		Flat Washer 6x19x2mm	4Pcs

STEP 1

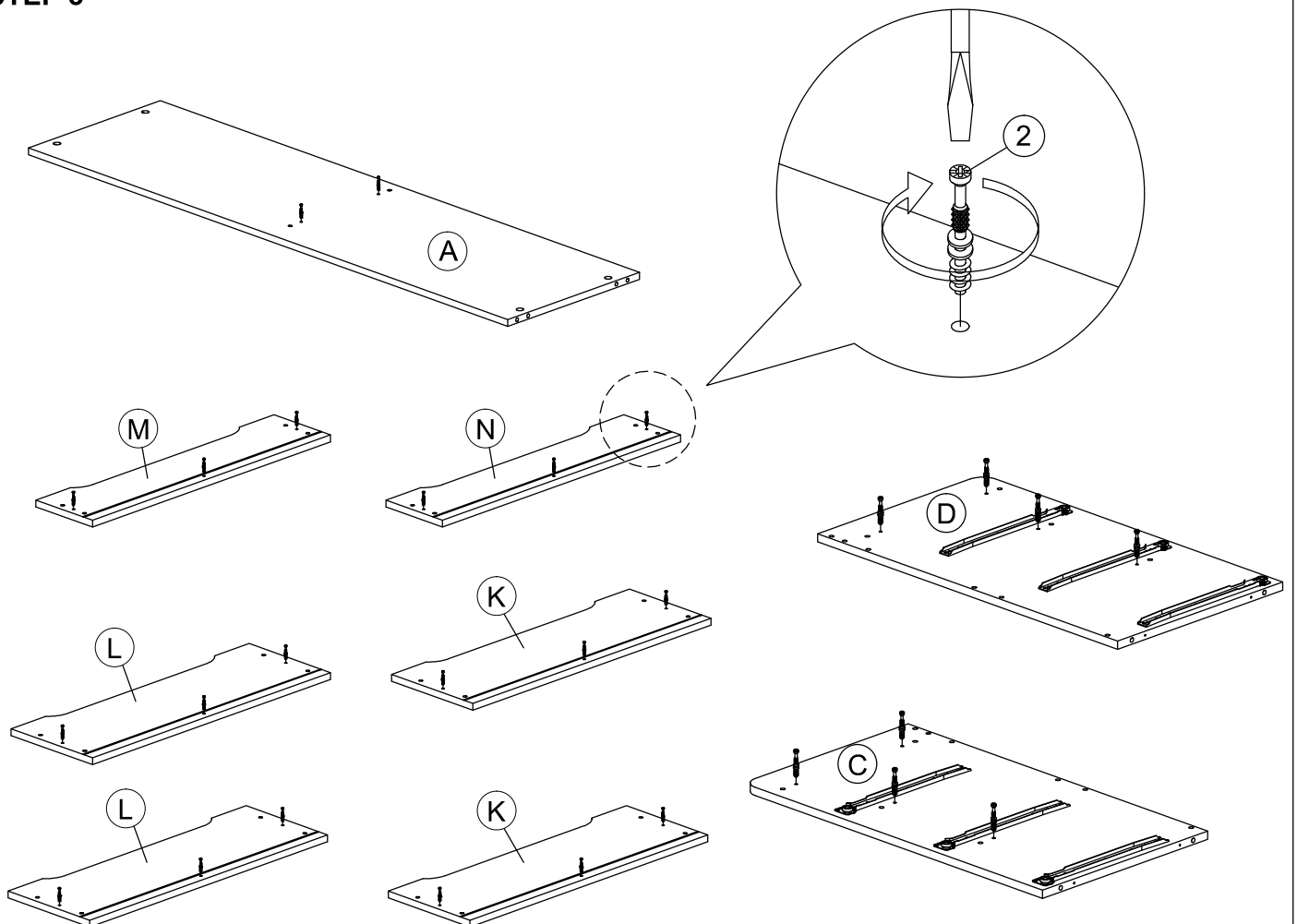


Assembly Instruction

STEP 2

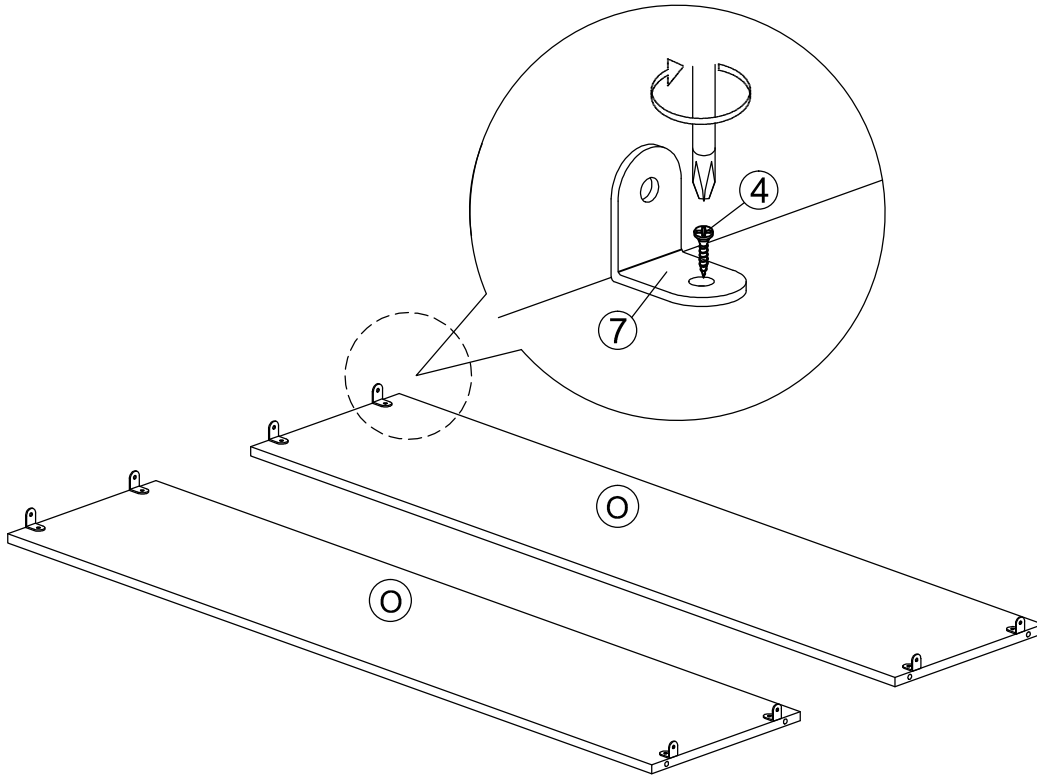


STEP 3

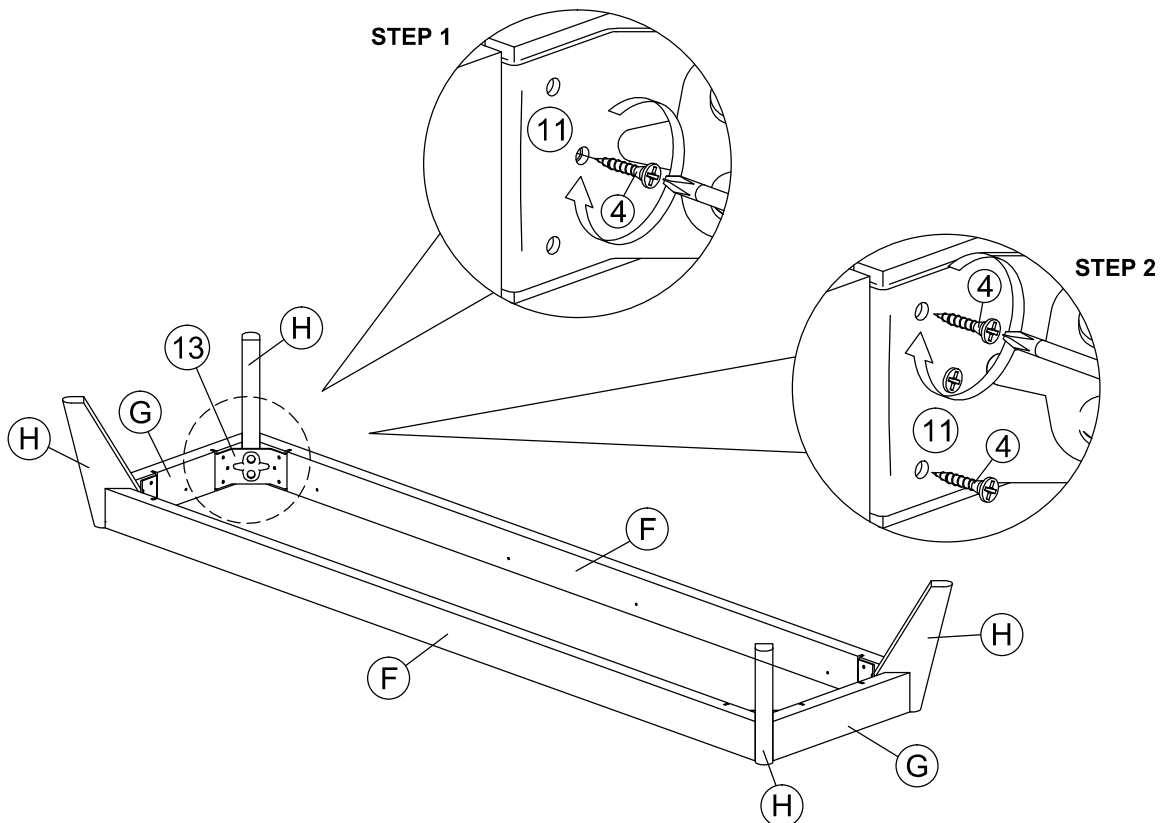


Assembly Instruction

STEP 4

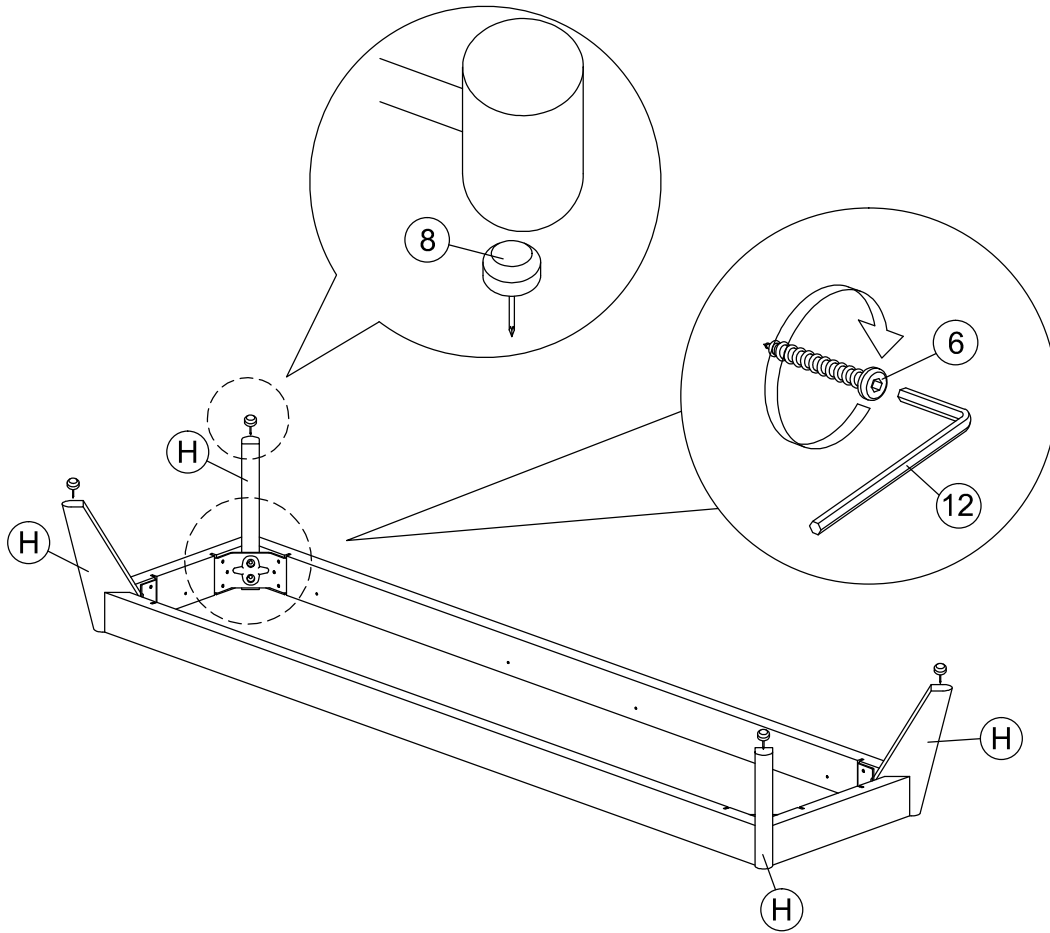


STEP 5

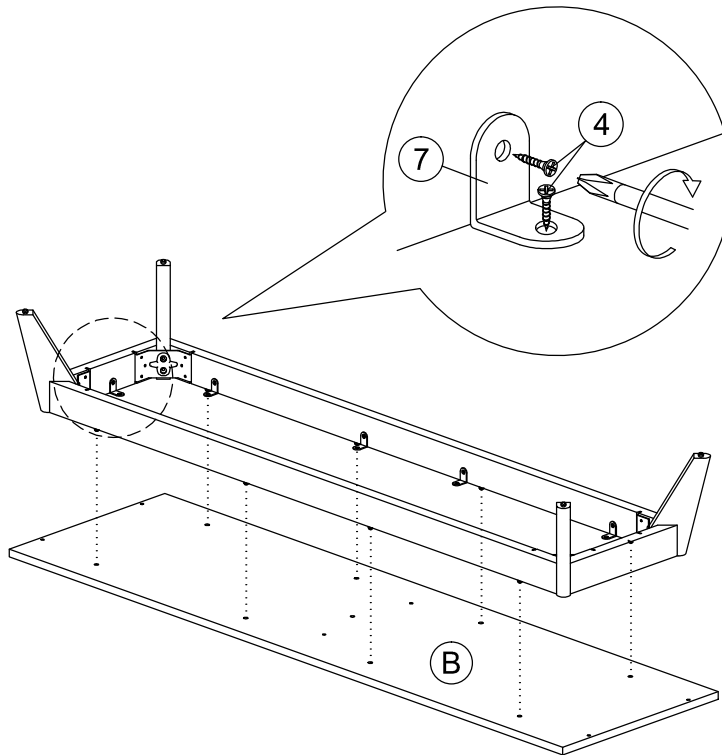


Assembly Instruction

STEP 6

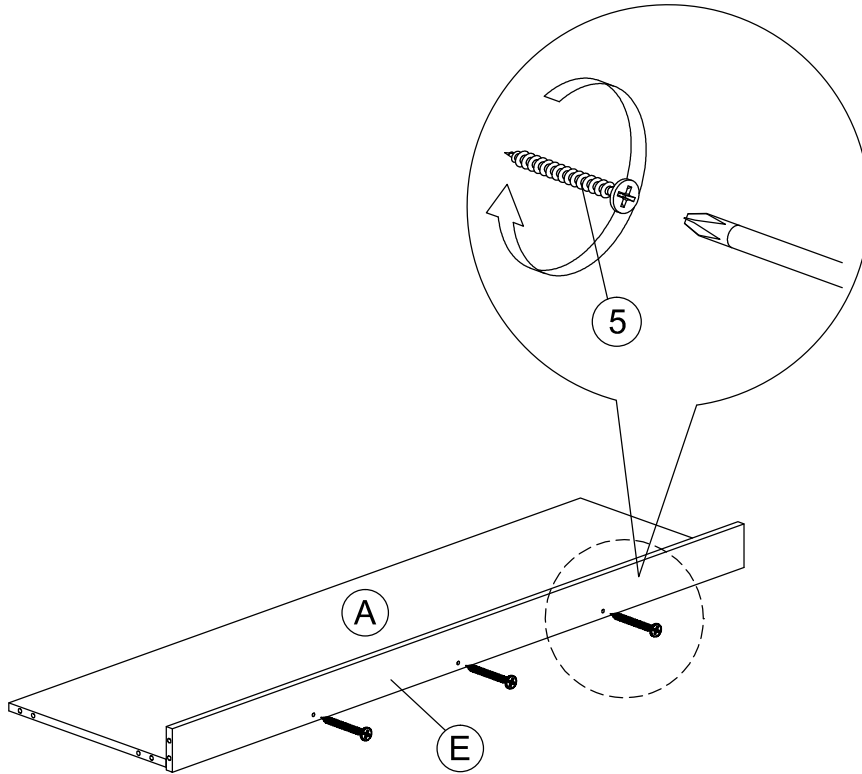


STEP 7

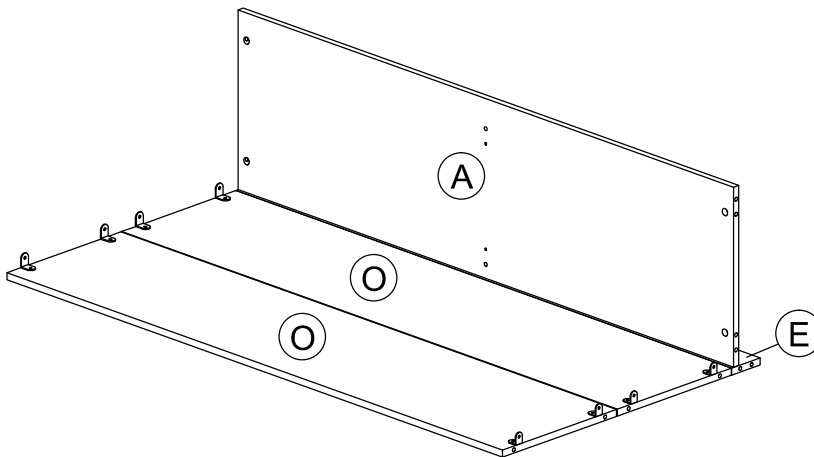


Assembly Instruction

STEP 8

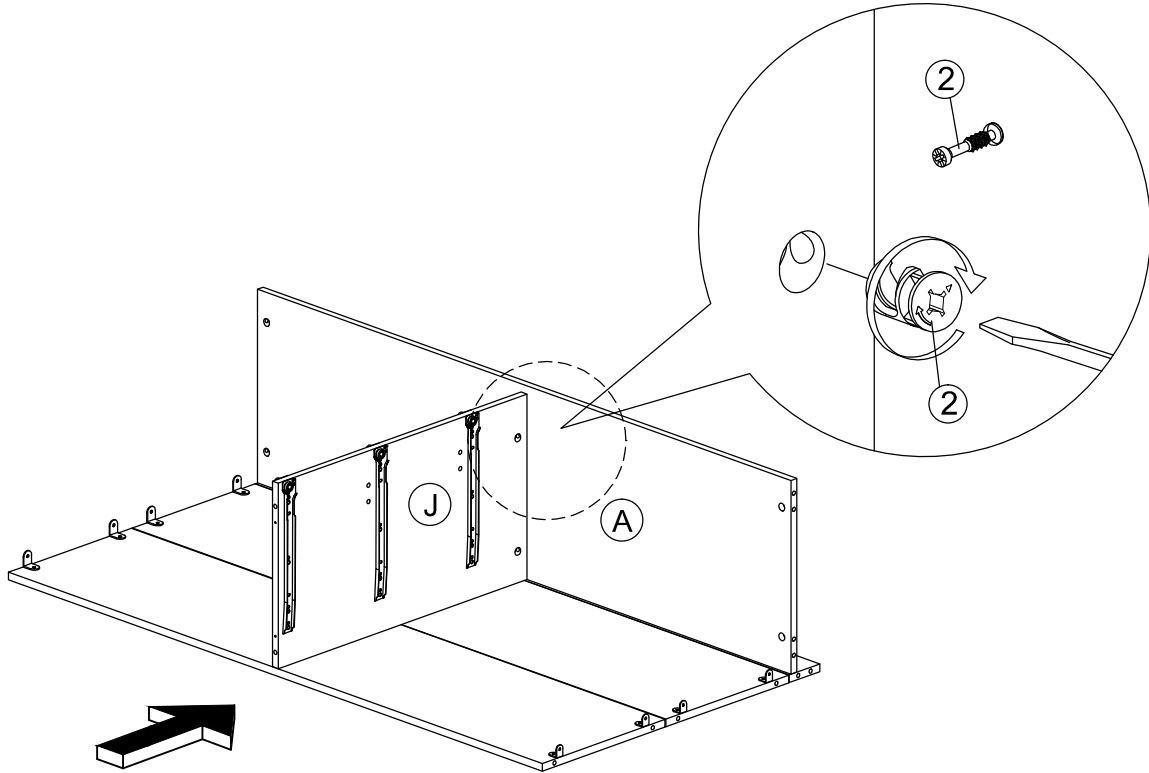


STEP 9

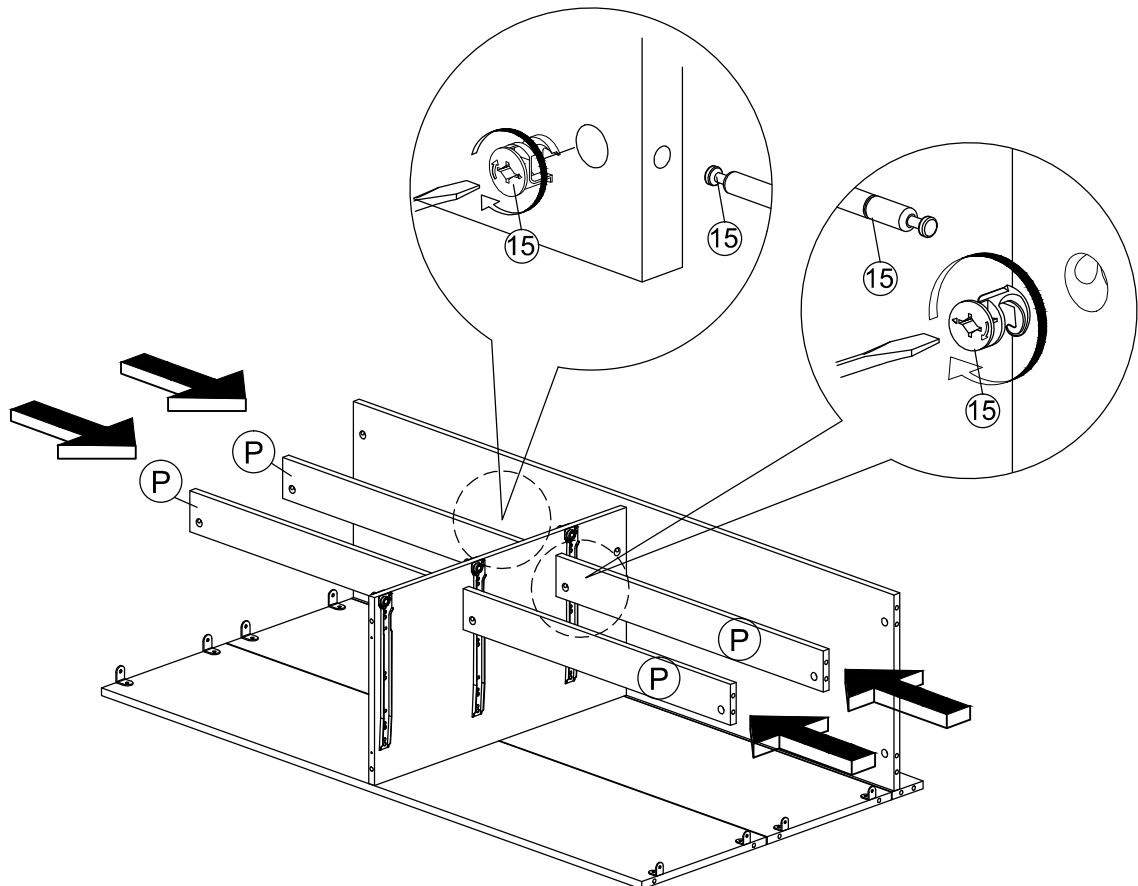


Assembly Instruction

STEP 10

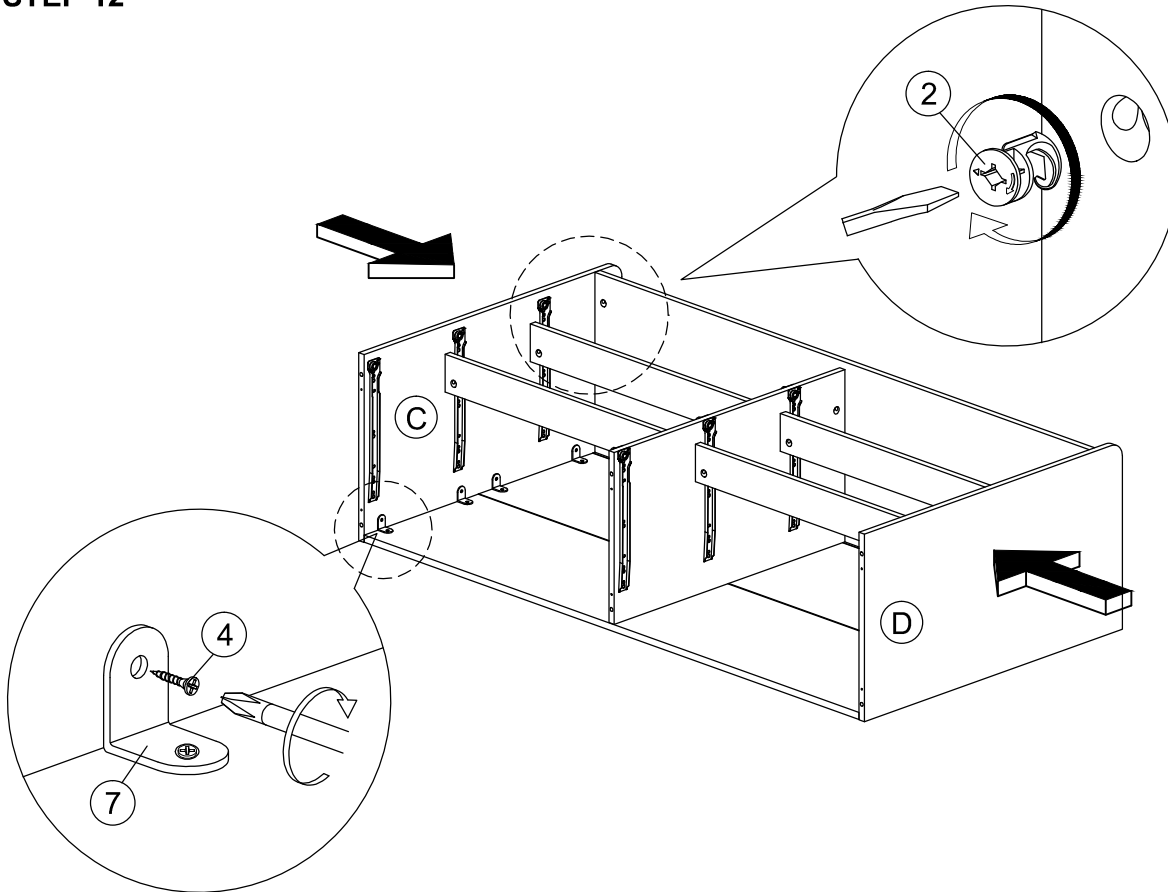


STEP 11

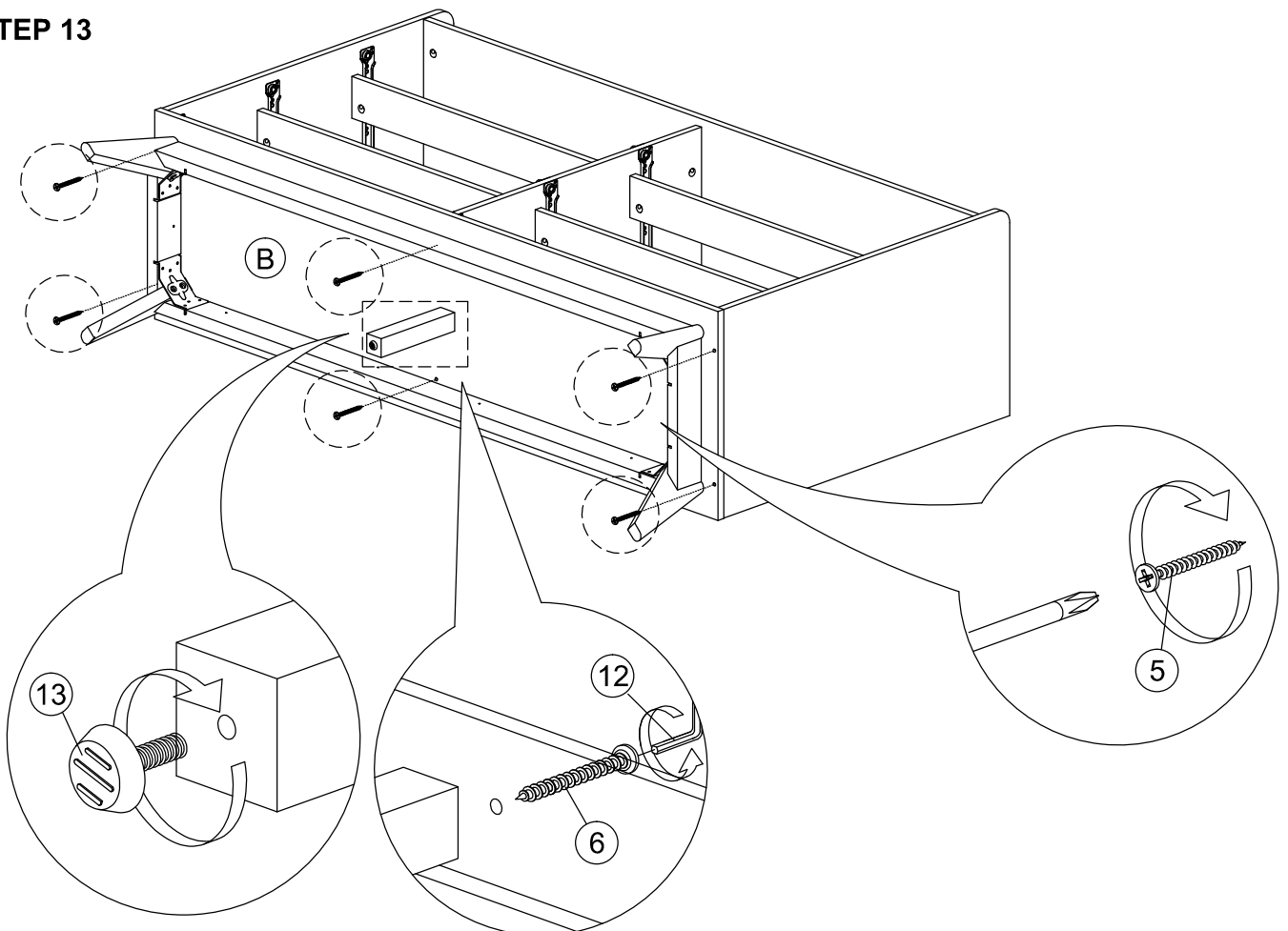


Assembly Instruction

STEP 12

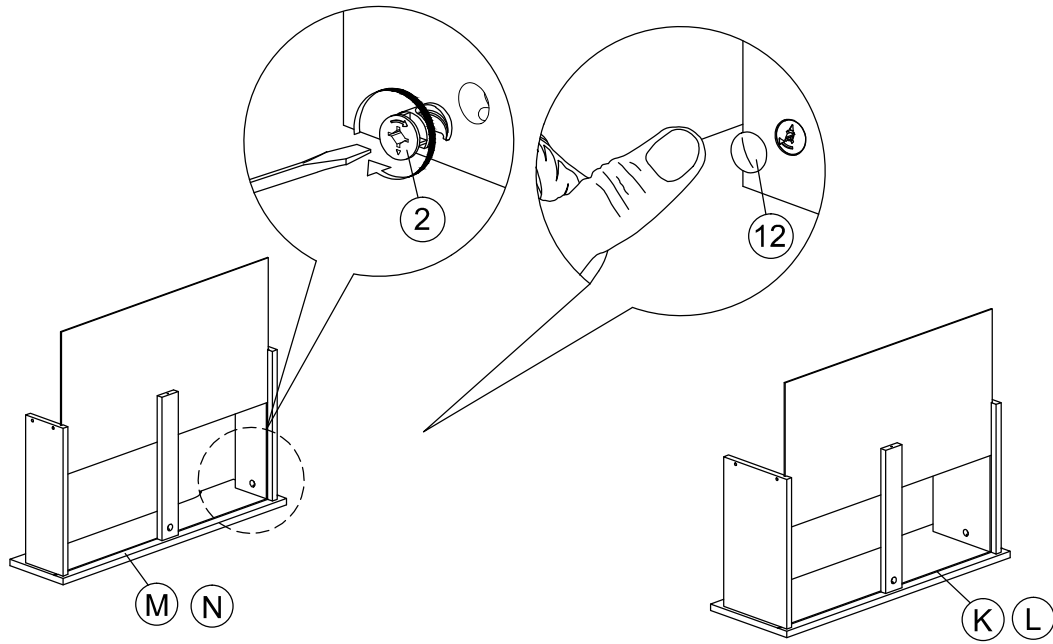


STEP 13

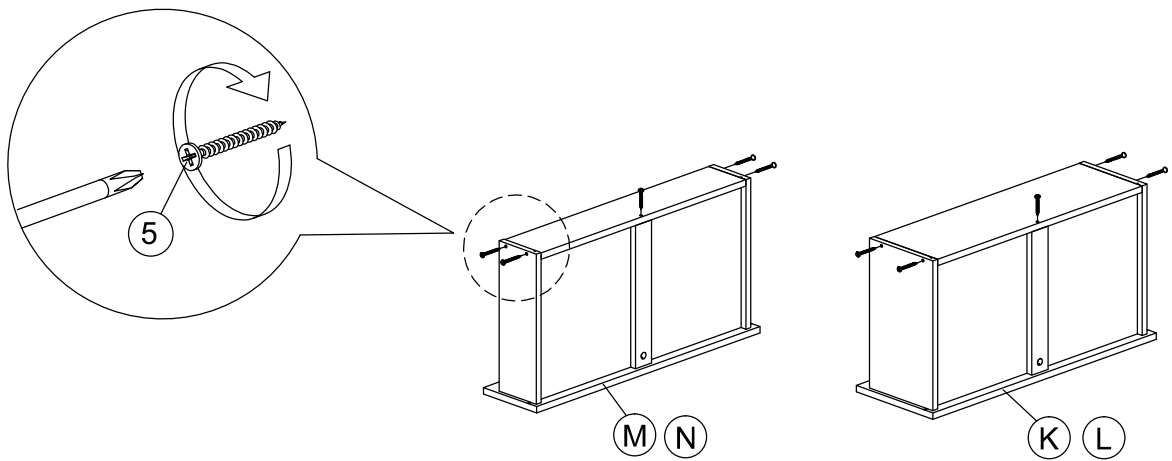


Assembly Instruction

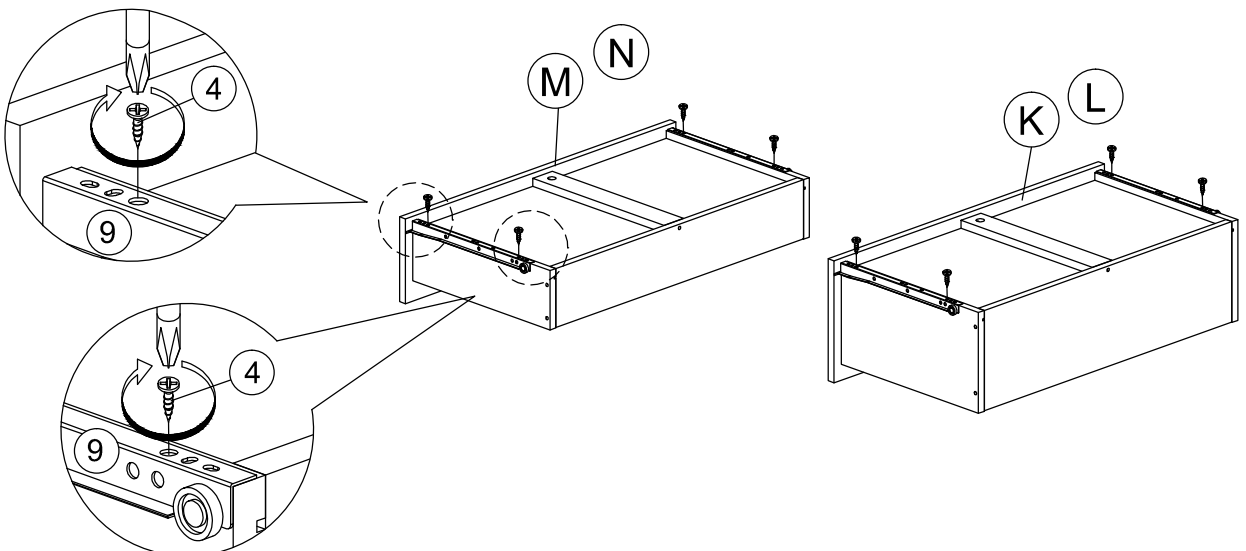
STEP 14



STEP 15

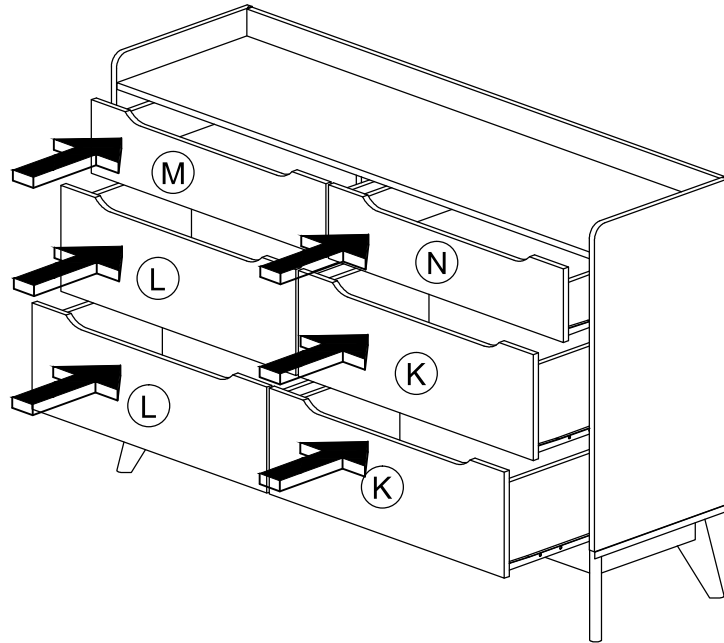


STEP 16

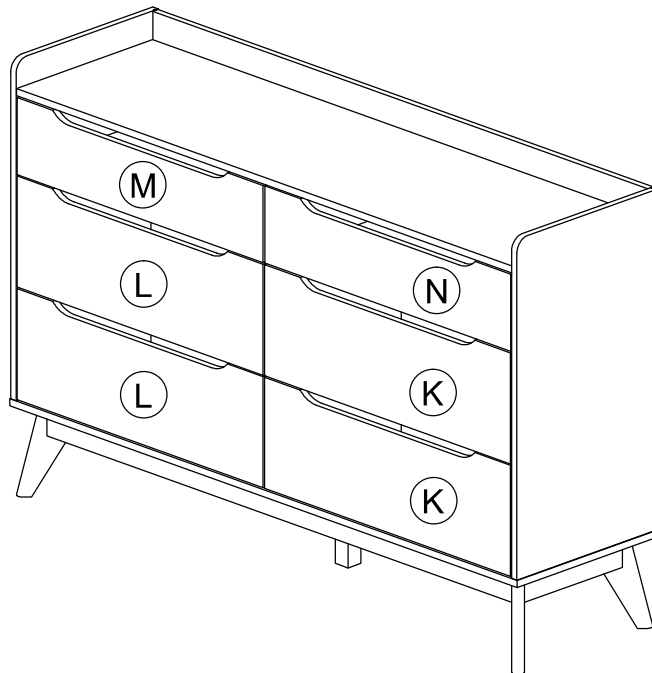


Assembly Instruction

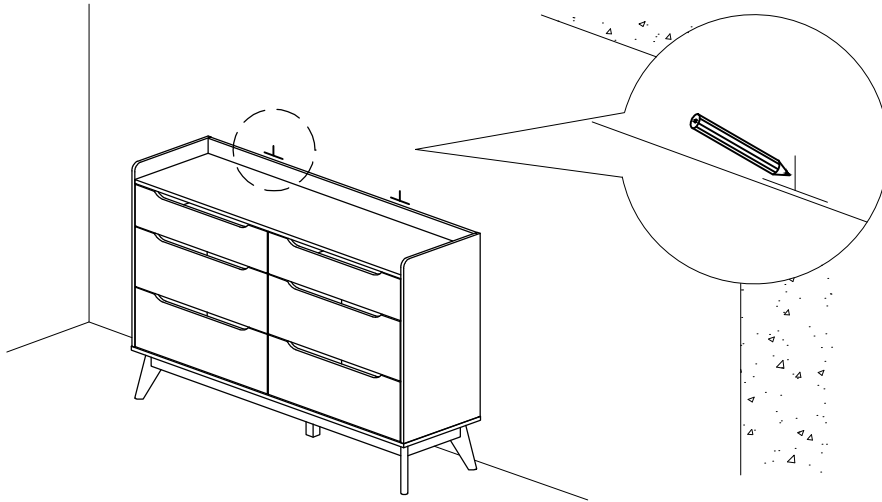
STEP 17



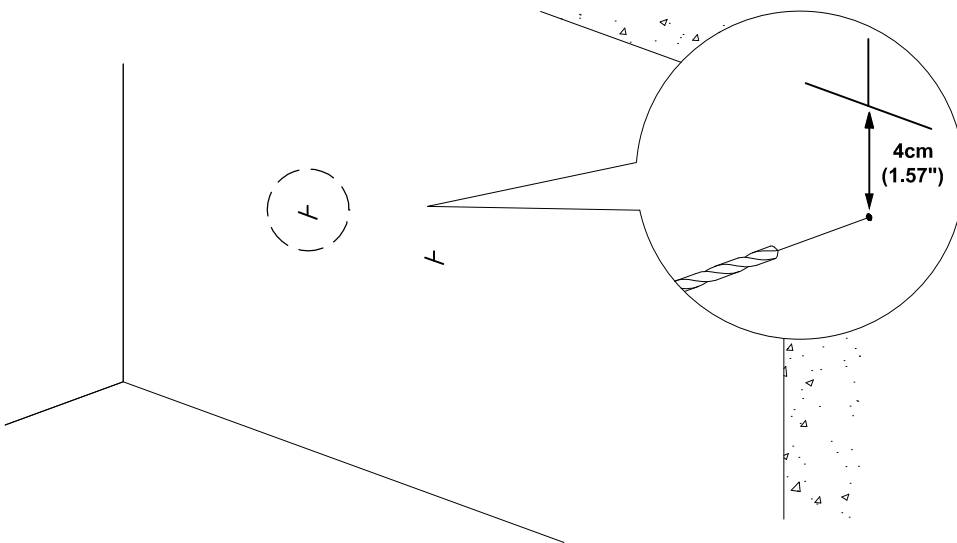
Complete



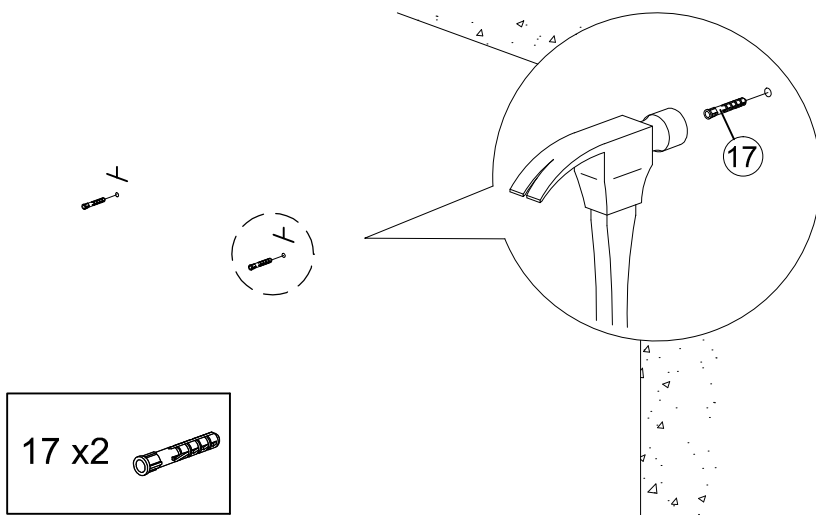
FURNITURE TIPPING RESTRAINT



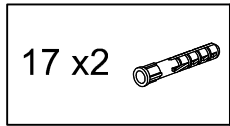
1. First mark the wall with pencil as in diagram.



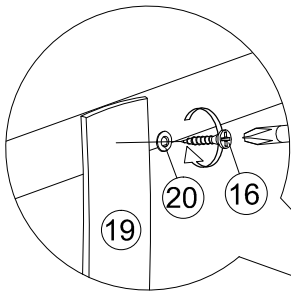
2. Drill small hole at the pencil mark.



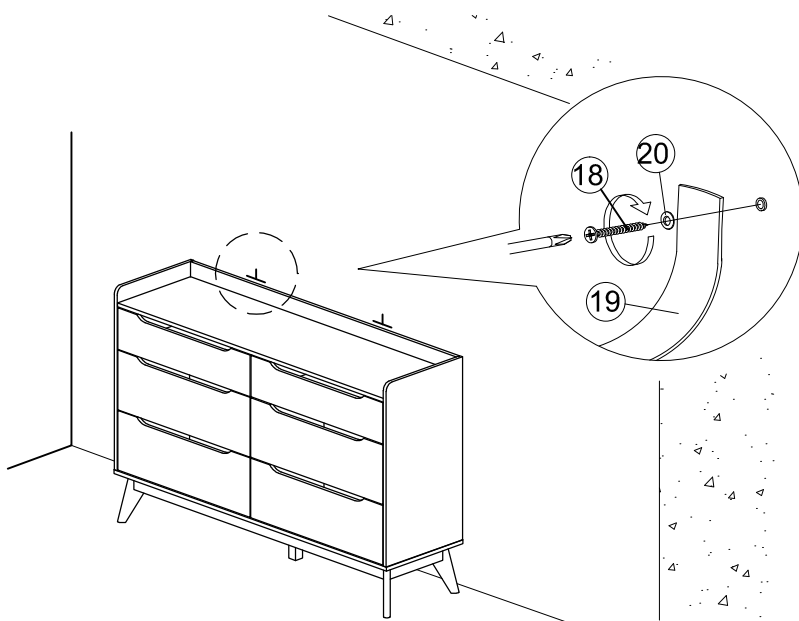
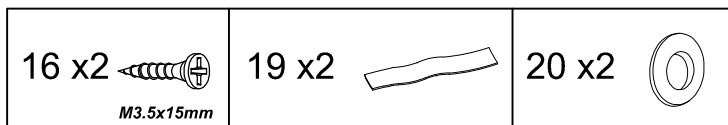
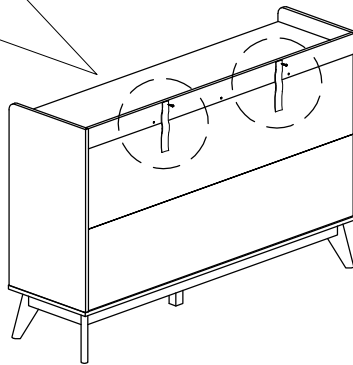
3. Insert plastic wall plug (17).



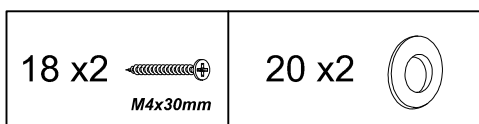
FURNITURE TIPPING RESTRAINT

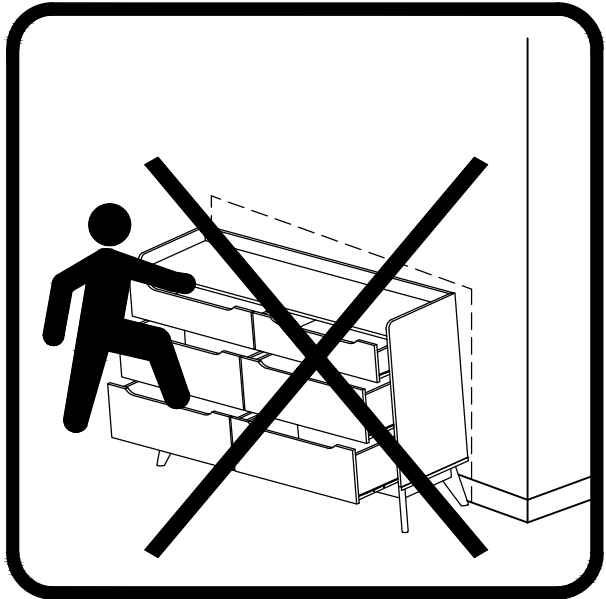
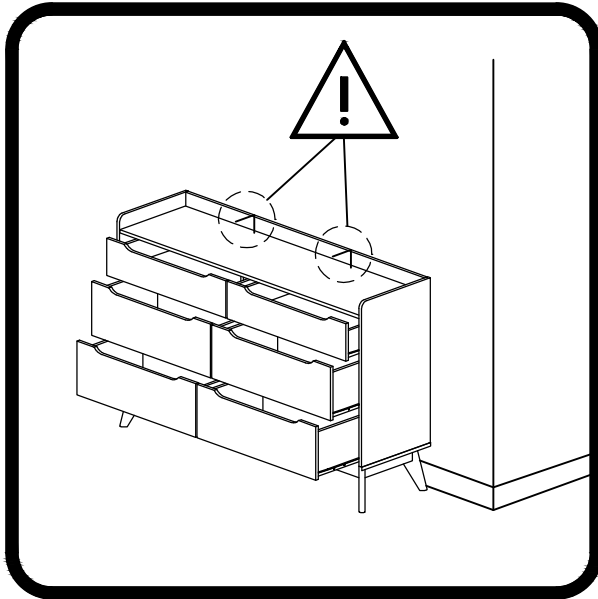


4. Add safety strap (19), washer (20) using 3.5x15mm screw (16) to back of cabinet.



5. Finally, attach safety strap (19) and washer (20) using 4x30mm screw (18) to the wall.





⚠ WARNING	
	<p>Serious or fatal crushing injuries can occur from furniture tip-over. To help prevent tip-over:</p> <ul style="list-style-type: none">• Install tipover restraint provided.• Place heaviest items in the lowest drawers.• Do not set TV's or other heavy objects on top of this product, unless the product is specifically designed to accommodate them.• Never allow children to climb or hang on drawers, doors, or shelves.• Never open more than one drawer at a time. <p>(OR)</p> <ul style="list-style-type: none">• Do not defeat or remove the drawer interlock system. <p>Use of tip-over restraints may only reduce, but not eliminate, the risk of tip-over.</p> <p><i>This is a permanent label. Do not remove!</i></p>



Anti-Topple hardware included for added safety and stability