



# ASSEMBLY INSTRUCTION

## DVDR HD1619-352C DRESSER

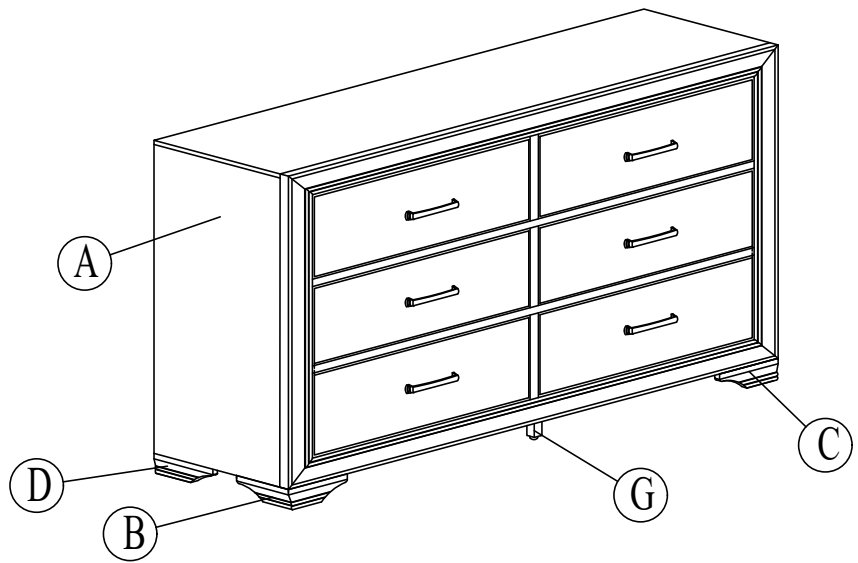
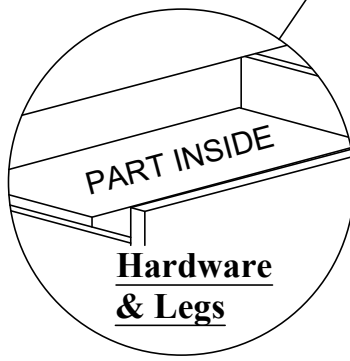
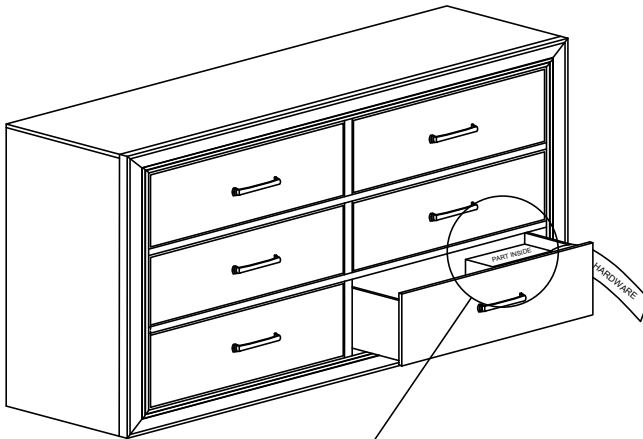
Manufactured by (DVDR) for ROOMS TO GO

SKU# 32116217

Thank you for purchasing this quality product. Be sure to check all packing material carefully for small parts, which may have come loose inside the carton during shipment. Identify and count all parts and compare with the parts list below:

	No.	Picture	Description	Dimension	Qty
Hardware List	①		JCBC (M6) with Spring Washer and Washer	M6 x P1.0 x 40mm	8 Pcs
	②		Allen Key (M4)	4 x 65mm	1 Pc
	③		Phillips Screwdriver	-	Not Provided

	No.	Description	Qty
Part List	A	Dresser	1 Pc
	B	Front Left Leg (Packed Inside Drawer)	1 Pc
	C	Front Right Leg (Packed Inside Drawer)	1 Pc
	D	Back Left Leg (Packed Inside Drawer)	1 Pc
	E	Back Right Leg (Packed Inside Drawer)	1 Pc
	F	Support Leg Center (packed Inside Drawer)	1 Pc
	G	Tipping Restraint (Packed Inside Drawer)	1 Pc



Hardware Pack Location (s) : Bolts pack inside bottom drawer ( Leg inner carton)

Dresser SKU # 32116217



# ASSEMBLY INSTRUCTION

## DVDR HD1619-352C DRESSER

Manufactured by (DVDR) for ROOMSTOGO

SKU# 32116217

### ASSEMBLY TIPS:

1. Remove hardware from box and sort by size.
2. Please check to see that all hardware and parts are present prior start of assembly.
3. Please follow attached instructions in the same sequence as numbered to assure fast and easy assembly.

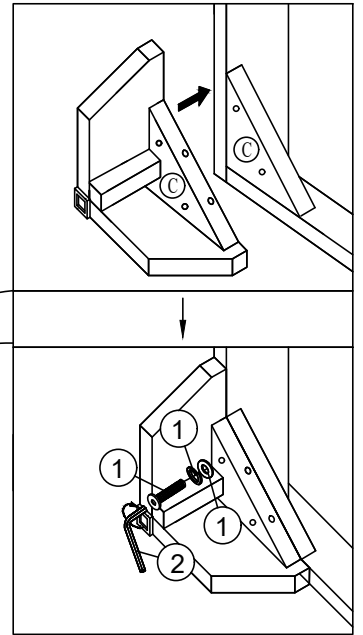
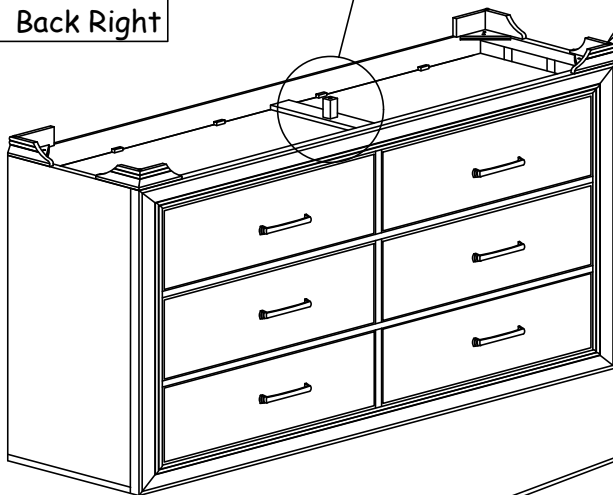
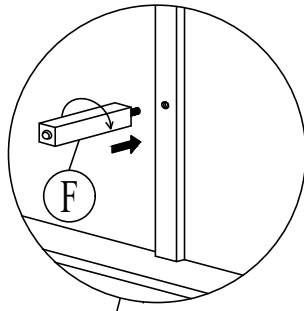
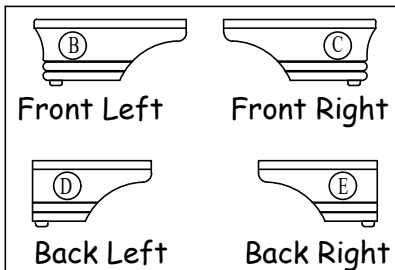
### ⚠ WARNING!

1. Don't attempt to repair or modify parts that are broken or defective. Please contact the store immediately.
2. This product is for home use only and not intended for commercial establishments.

## Assembly Step

### STEP 1

Fasten the leg as shown.



### STEP 2

Affix  
Tipping  
Restraint  
to wall  
behind  
Dresser

