

# Assembly Instruction


HMEL 1730-9N / 1730GY-9N CHEST

SKU# 32617308/32617310

Caution: Please read instructions thoroughly before unpacking assembly parts.

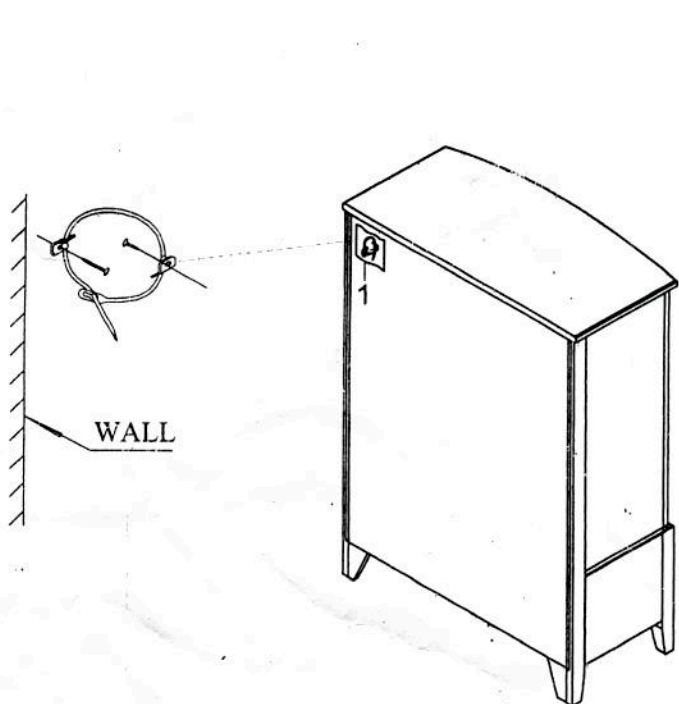
1. We recommend that you should assemble this product with the assistance of another person; this will make assembly easier, and will help to eliminate damage to the product or injury to persons during assembly.
2. Be sure to check all packing materials carefully for small parts that may have come loose inside the carton during shipment.
3. Please put all parts on a non-abrasive floor before assembly, and follow the assembly steps to assemble your newly purchased product correctly and efficiently.

## PART LIST

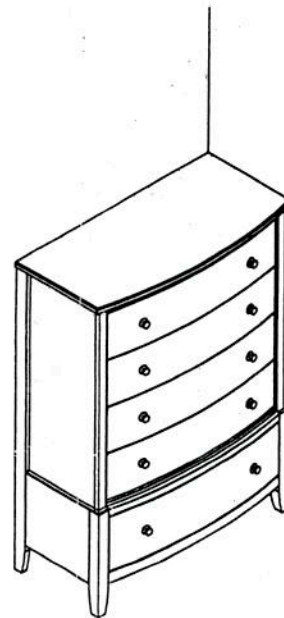
NO:	COMPONENT	SKETCH	Q'TY
A	CHEST		1 PC

## HARDWARE LIST

NO:	DESCRIPTION	SKETCH	SIZE	Q'TY
1	TIPPING RESTRAINT			1 SET



WALL



★ Remark: there is a tip restraint kit provided on the back of this product. please read the directions thoroughly and install immediately when placed in home.



# Assembly Instruction


HMEL 1730-4N /1730GY-4N NIGHTSTAND

SKU# 32517306/ 32517318

Caution: Please read instructions thoroughly before unpacking assembly parts.

1. We recommend that you should assemble this product with the assistance of another person; this will make assembly easier, and will help to eliminate damage to the product or injury to persons during assembly.
2. Be sure to check all packing materials carefully for small parts that may have come loose inside the carton during shipment.
3. Please put all parts on a non-abrasive floor before assembly, and follow the assembly steps to assemble your newly purchased product correctly and efficiently.

## PART LIST

NO:	COMPONENT	SKETCH	Q'TY
A	NIGHT STAND		1 PC





# Assembly Instruction

HMEL 1730-5N /1730GY-5N DRESSER  
 HMEL 1730-6N /1730GY-6N MIRROR

SKU# 32117308/ 32117310  
 SKU# 32217300/ 32217312

Caution: Please read instructions thoroughly before unpacking assembly parts.

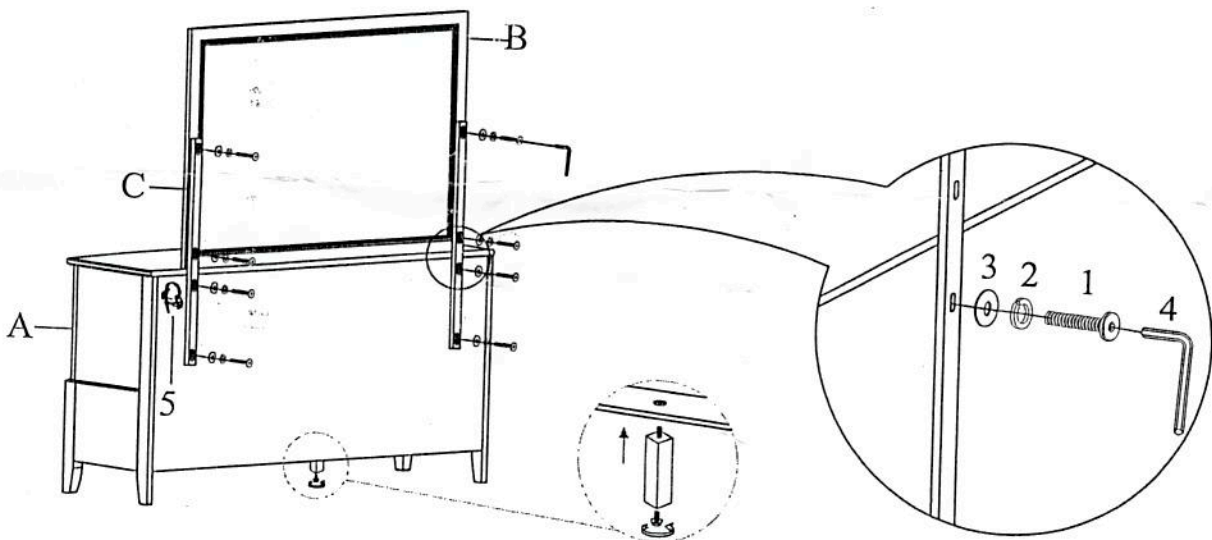
1. We recommend that you should assemble this product with the assistance of another person; this will make assembly easier, and will help to eliminate damage to the product or injury to persons during assembly.
2. Be sure to check all packing materials carefully for small parts that may have come loose inside the carton during shipment.
3. Please put all parts on a non-abrasive floor before assembly, and follow the assembly steps to assemble your newly purchased product correctly and efficiently.

## PART LIST

NO:	COMPONENT	SKETCH	Q'TY
A	DRESSER		1 PC
B	MIRROR		1 PC
C	MIRROR SUPPORT		2 PCS

## HARDWARE LIST

NO:	DESCRIPTION	SKETCH	SIZE	Q'TY
1	BOLT		1/4"x38mm	8 PCS
2	SPRING WASHER		1/4"x10mm	8 PCS
3	FLAT WASHER		1/4"x 19mm	8 PCS
4	ALLEN KEY		M4x 58mm	1 PC
5	TIPPING RESTRAINT / RESTRAINT			1 SET



Hardware Pack Location(s):

HMEL 1730-6N /1730GY-6N

SKU# 32217300/ 32217312