



Assembly Instructions

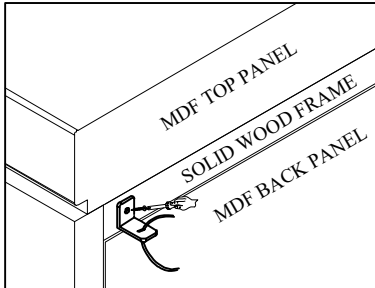
Manufactured for
Rooms To Go

1733-DN

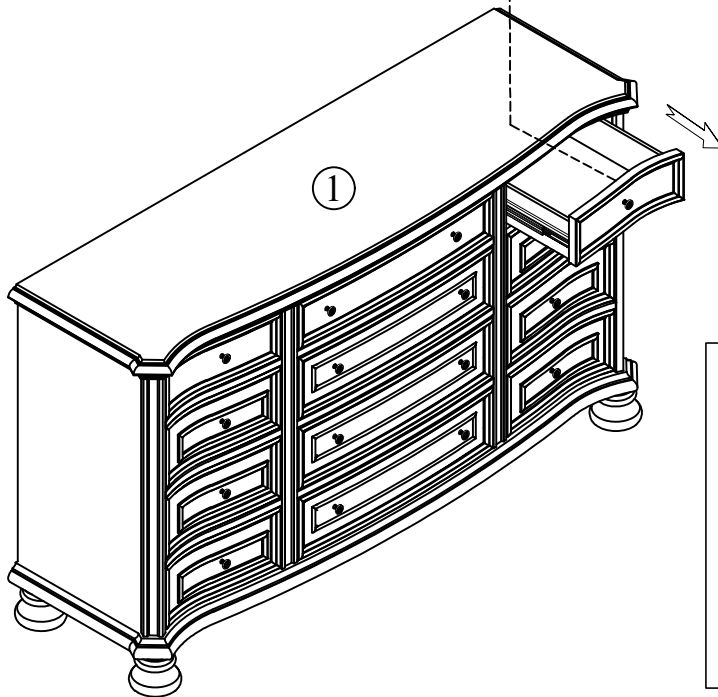
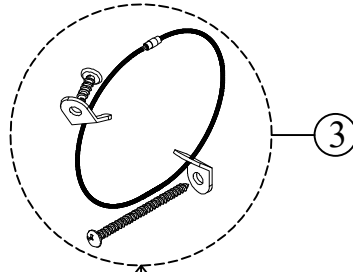
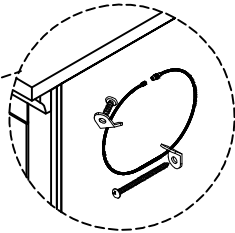
DRESSER

SKU# 32117346

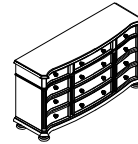
* Remarks: Tipping Restraint kit provided must be install to solid woodback frame only. Do not install to mdf top panel or MDF back panel.



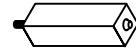
Tool Required: Philip screwdriver
(not provided)



PARTS LIST



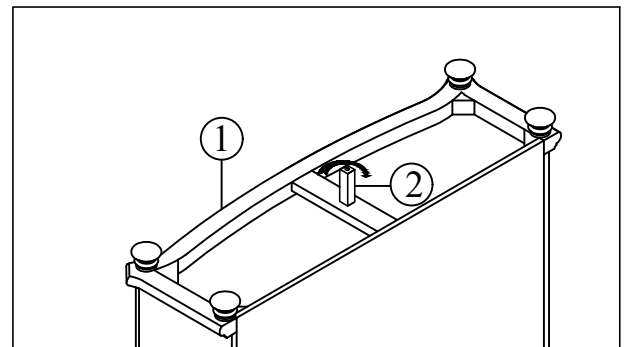
1. Dresser - 1 Pc



2. Support Leg - 1Pc



3. Anti-tip Restraint - 1 Pc



HARDWARE PACK LOCATION(S):

PNWD

1733-DN

DRESSER

SKU# 32117346