

SLEIGH BED ASSEMBLY INSTRUCTIONS (78-159,78-161)

THANK YOU FOR YOUR PURCHASE !

PLEASE CONTACT YOUR RETAIL STORE WITH SERVICE OR PARTS REPLACEMENT REQUEST

LIST OF CONTENTS RECLAIM COLLECTION

SLEIGH BED HEADBOARD BOX (78-159,78-161) FIG.1

A.- (1) HEADBOARD

PLATFORM BED FOOTBOARD BOX (78-112,78-113) FIG.2

B.- (1) FOOTBOARD

C.- (1) LEFT SIDE RAIL

D.- (1) RIGHT SIDE RAIL

E.- (1) WOOD CENTER SUPPORT

F.- (1) SUPPORT

G.- (4) SLATS

HARDWARE PACK (HPK00105)

H.- (4) 5/16"-18 X 80MM FLAT HEAD BOLTS

I.- (4) 5/16"-18 X 5/8" CROSS DOWEL NUTS

J.- (1) 5MM ALLEN WRENCH

K.- (4) 5/16"-18 X 60MM FLAT HEAD BOLTS

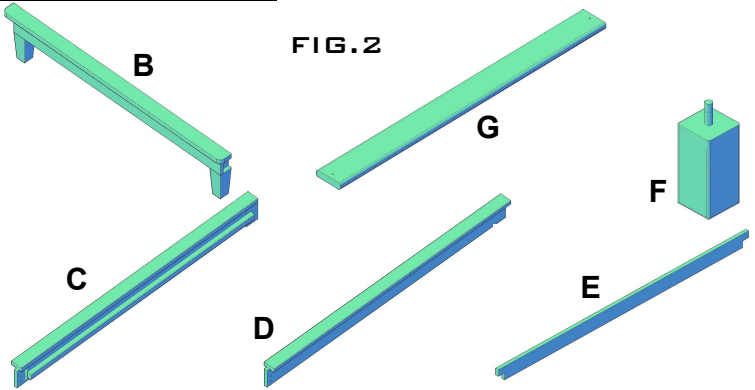
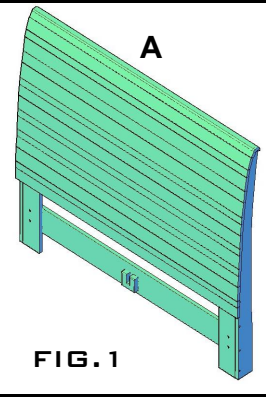
L.- (8) 1 1/4" SCREWS

TOOLS NEEDED

PHILLIPS HEAD SCREWDRIVER (NOT INCLUDED)

5MM ALLEN WRENCH (INCLUDED)

**TO ASSEMBLE THIS SLEIGH BED REQUIRES
TWO PERSONS**



1.- BEFORE YOU START, CAREFULLY UNPACK AND IDENTIFY EACH COMPONENT AND PIECE OF HARDWARE TO MAKE SURE YOU HAVE EVERYTHING YOU NEED FOR ASSEMBLY.

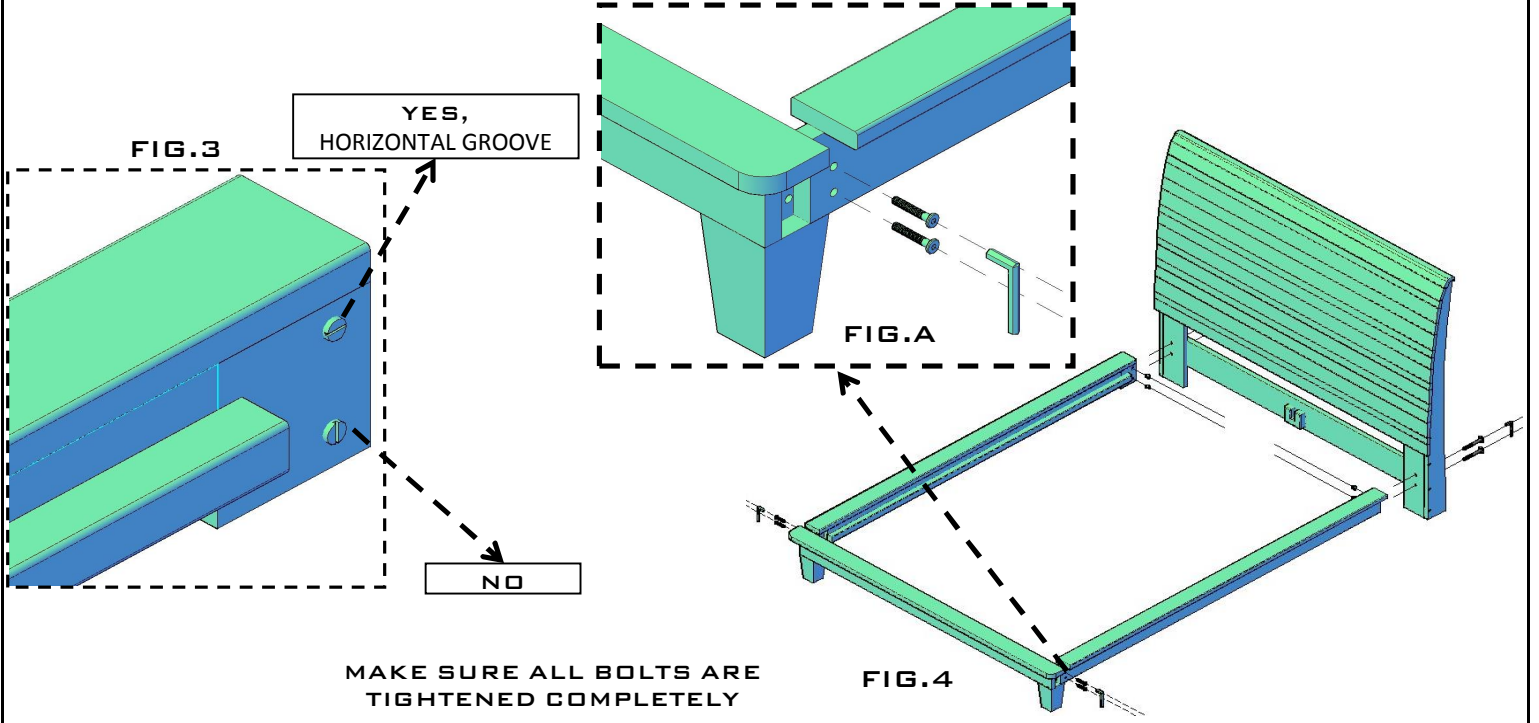
2.- ASSEMBLE SLEIGH BED, USING ONE HEADBOARD (A), ONE FOOTBOARD (B), ONE LEFT SIDE RAIL (C) AND ONE RIGHT SIDE RAIL (D).

3.- INSERT TWO DOWEL NUTS (I) INTO THE LEFT AND RIGHT SIDE RAIL ONLY ONE SIDE,SEE THE HOLES, MAKE SURE THE GROOVE IS HORIZONTAL, SEE FIG.3

4.- ATTACH THE SIDE RAIL INTO THE HEADBOARD (A), INSERTING TWO 80MM FLAT HEAD BOLTS (H) IN THE BACK HOLES OF HEADBOARD, ALIGNED WITH THE HOLES OF SIDE RAIL, USE THE 5MM ALLEN WRENCH (J) TO TIGHTEN BOLTS, SEE FIG.4

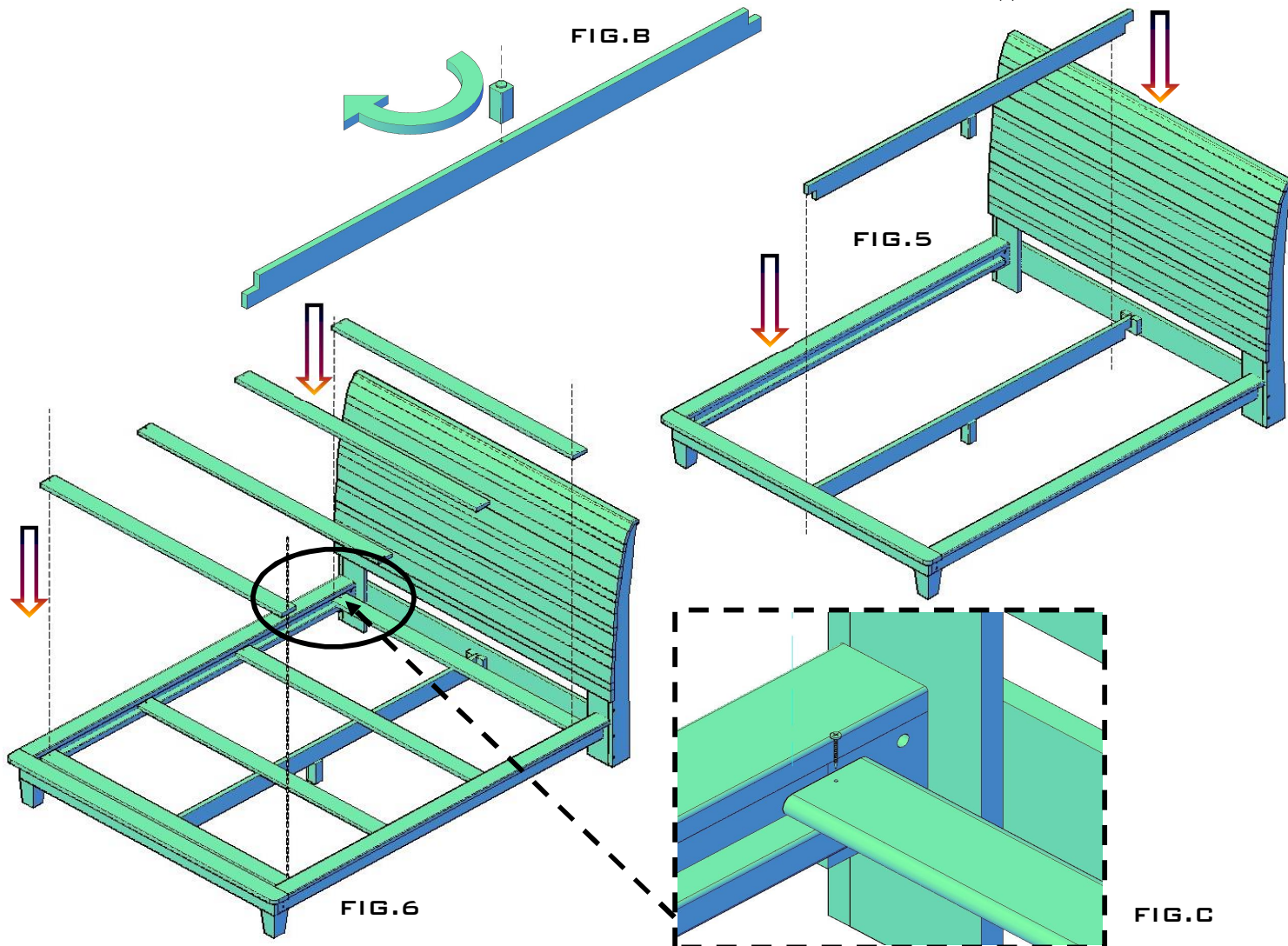
5.- LATER, ATTACH SIDE RAIL IN THE FOOTBOARD, ALIGN THE SIDE RAIL HOLES WITH THE FOOTBOARD HOLES, INSERTING TWO 60MM FLAT HEAD BOLTS (K), (FIG.A) USING 5MM ALLEN WRENCH (J) TO TIGHTEN ALL BOLTS, SEE FIG.4

6.- TURN AROUND, WOOD CENTER SUPPORT (E) UPSIDE DOWN, INSERT THE SCREW BOLT INSTALLED IN THE SUPPORT (F), TO TIGHTEN THE OPOSITE OF CLOCKWISE (FIG.B), THEN PLACED THE WOOD SUPPORT, FIRST IN SLOT OF FOOTBOARD AND THEN IN SLOT OF HEADBOARD, SEE FIG.5



**MAKE SURE ALL BOLTS ARE
TIGHTENED COMPLETELY**

7.- PLACE FOUR SLATS (G) ON SIDE RAIL CLEATS, ONE SLAT IN BOTH HDBD & FTBD ENDS, PUSH THE SLATS AGAINST THE BED END POST (FIG. C), TWO SLATS IN THE MIDDLE AT EQUAL DISTANCE FROM THE END SLATS, THEN EACH SLAT MUST BE FASTENED WITH ONE 1/4" SCREW (L), SEE FIG.6

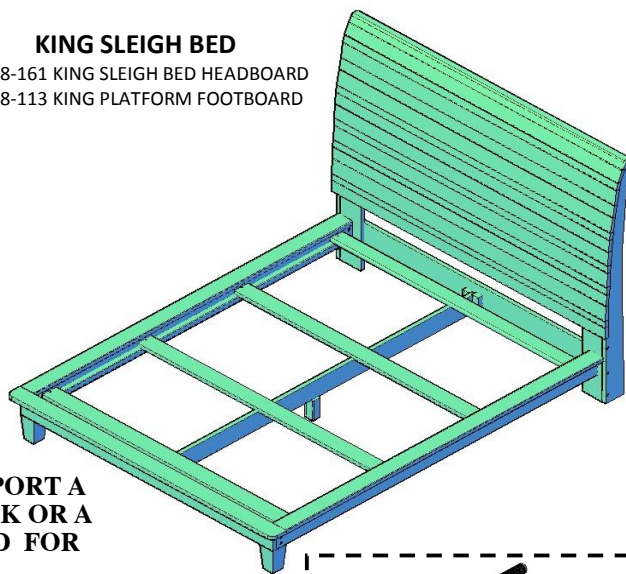
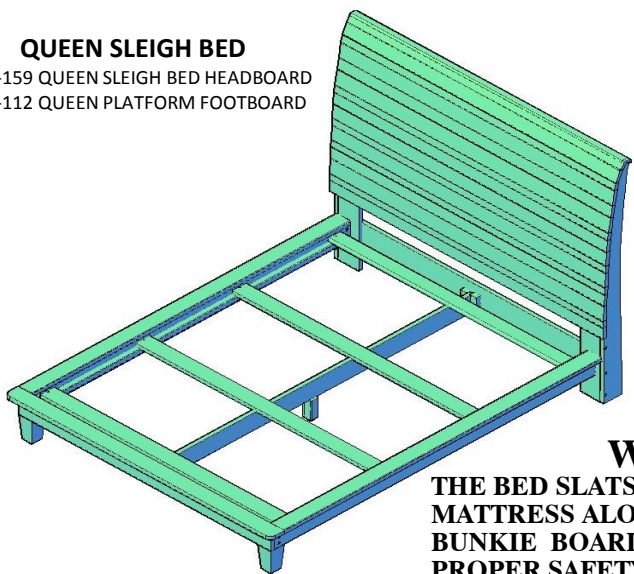


QUEEN SLEIGH BED

78-159 QUEEN SLEIGH BED HEADBOARD
78-112 QUEEN PLATFORM FOOTBOARD

KING SLEIGH BED

78-161 KING SLEIGH BED HEADBOARD
78-113 KING PLATFORM FOOTBOARD



WARNING:
THE BED SLATS WILL NO SUPPORT A MATTRESS ALONE, A SLAT PACK OR A BUNKIE BOARD IS REQUIRED FOR PROPER SAFETY.

(NOT INCLUDED)

TIPS : SEE ILLUSTRATION BELOW

- 1.- USE THE LONG END OF THE ALLEN WRENCH (J) TO FASTEN BOLTS LOOSELY AND QUICKLY.
- 2.- USE THE SHORT END OF THE ALLEN WRENCH FOR FINAL TIGHTENING.

