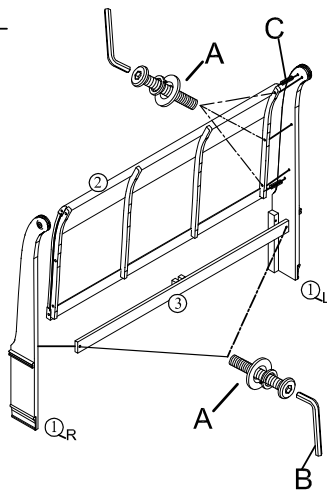


Caution: Please read instructions thoroughly before unpacking assembly parts. Sharp, exposed staple tips can cause injury, therefore, for your protection, please remove any exposed staple used in packing.

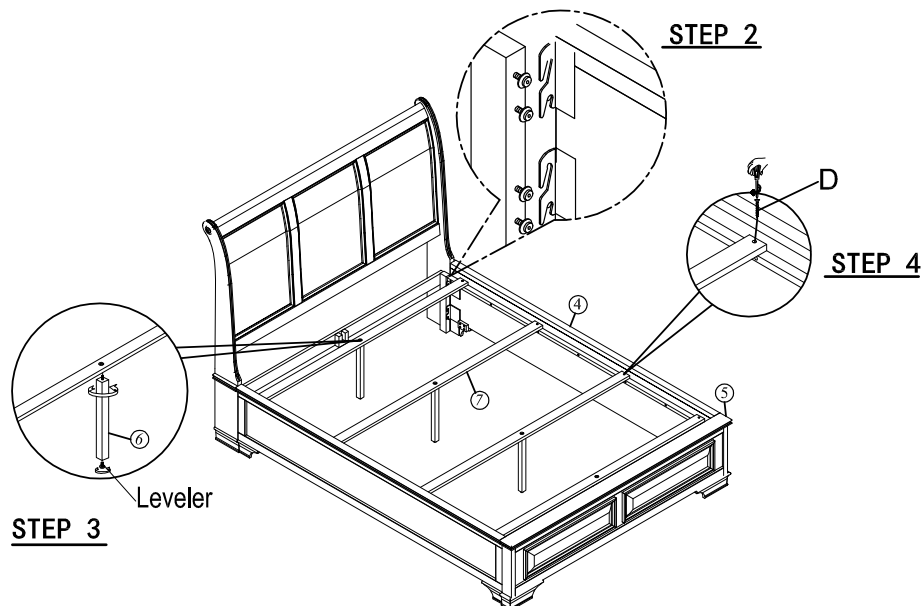
1. We recommend that you should assemble this product with the assistance of another person; this will make assembly easier, and will help to eliminate damage to the product or injury to persons during assembly.
2. Be sure to check all packing materials carefully for small parts that may have come loose inside the carton during shipment.
3. please do not over tighten screws or bolts.
4. Please put all parts on a non-abrasive floor before assembly, and follow the assembly steps to assemble your newly purchased product correctly and efficiently.

STEP 1



HARDWARE LISTS			
No.	OUTLOOK	SIZE	Q'TY
A		JCBC bolt	8PCS
		5/16"X18X35mm	
		Lock Washer	8PCS
		5/16"	
		Flat Washer	8PCS
		5/16"X19mmX1mm	
B		Allen Key	1PC
C		Wooden Dowel	4PCS
D		Wood Screw	8PCS
		Ø8XØ4X1-1/4"	

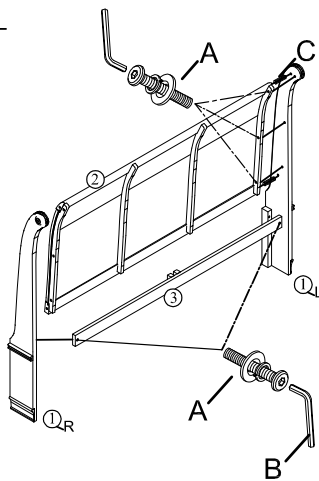
PART LISTS		
①	Head board Leg (L&R)	2PCS
②	Head board panel	1PC
③	Head board bottom rail	1PC
④	Side rail	2PCS
⑤	Foot Board	1PC
⑥	Support legs for center slat	4PCS
⑦	Slats	4PCS



Caution: Please read instructions thoroughly before unpacking assembly parts. Sharp, exposed staple tips can cause injury, therefore, for your protection, please remove any exposed staple used in packing.

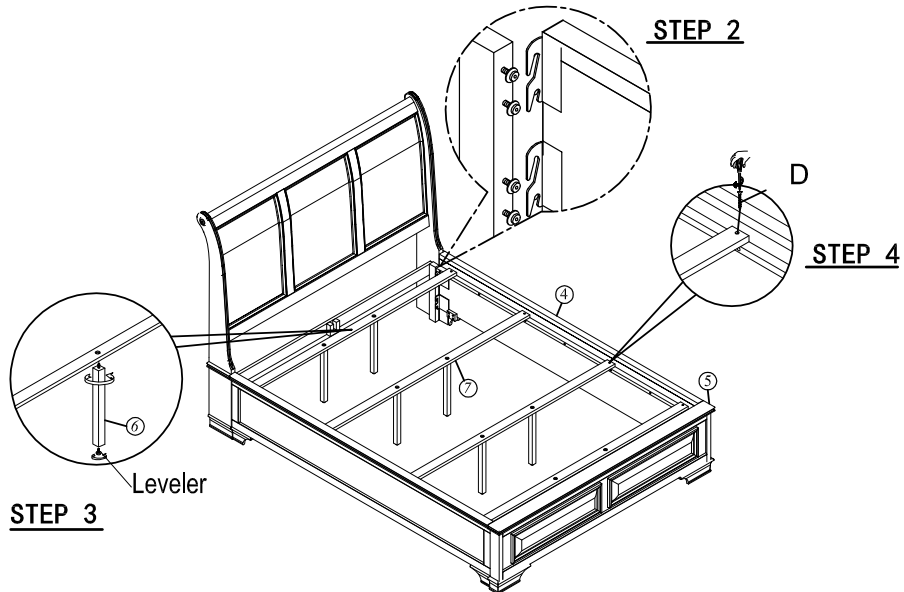
1. We recommend that you should assemble this product with the assistance of another person; this will make assembly easier, and will help to eliminate damage to the product or injury to persons during assembly.
2. Be sure to check all packing materials carefully for small parts that may have come loose inside the carton during shipment.
3. please do not over tighten screws or bolts.
4. Please put all parts on a non-abrasive floor before assembly, and follow the assembly steps to assemble your newly purchased product correctly and efficiently.

STEP 1




HARDWARE LISTS			
No.	OUTLOOK	SIZE	Q'TY
A		JCBC bolt	8PCS
		5/16"X18X35mm	
		Lock Washer	8PCS
		5/16"	
		Flat Washer	8PCS
		5/16"X19mmX1mm	
B		Allen Key	1PC
C		Wooden Dowel	4PCS
D		Wood Screw	8PCS
		Ø8XØ4X1-1/4"	

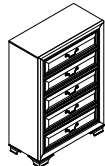
PART LISTS		
①	Head board Leg (L&R)	2PCS
②	Head board panel	1PC
③	Head board bottom rail	1PC
④	Side rail	2PCS
⑤	Foot Board	1PC
⑥	Support legs for center slat	8PCS
⑦	Slats	4PCS



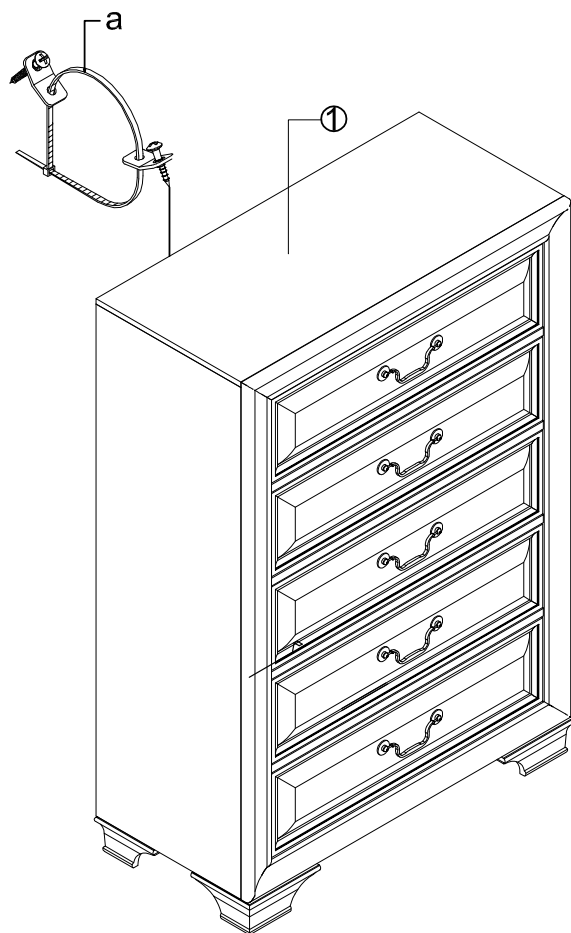
Caution: Please read instructions thoroughly before unpacking assembly parts. Sharp, exposed staple tips can cause injury, therefore, for your protection, please remove any exposed staple used in packing.

1. We recommend that you should assemble this product with the assistance of another person; this will make assembly easier, and will help to eliminate damage to the product or injury to persons during assembly.
2. Be sure to check all packing materials carefully for small parts that may have come loose inside the carton during shipment.
3. please do not over tighten screws or bolts.
4. Please put all parts on a non-abrasive floor before assembly, and follow the assembly steps to assemble your newly purchased product correctly and efficiently.

TOOLS REQUIRED (NOT PROVIDED)	
PHILLIPS SCREWDRIVER	

PARTS LIST:			
No.	Sketch	Description	Quantity
1		CHEST	1PC

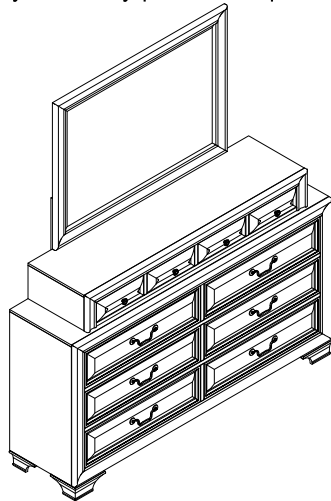
STEP 1





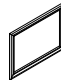

HARDWARE LIST:			
No.	Sketch	Description	Quantity
a		TIPPING RESTRAINT	1SET

Caution: Please read instructions thoroughly before unpacking assembly parts. Sharp, exposed staple tips can cause injury, therefore, for your protection, please remove any exposed staple used in packing.

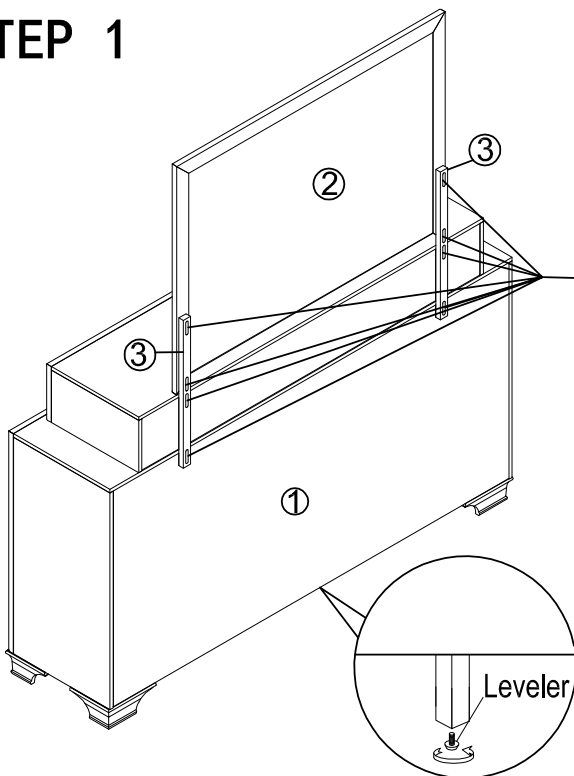
1. We recommend that you should assemble this product with the assistance of another person; this will make assembly easier, and will help to eliminate damage to the product or injury to persons during assembly.
2. Be sure to check all packing materials carefully for small parts that may have come loose inside the carton during shipment.
3. please do not over tighten screws or bolts.
4. Please put all parts on a non-abrasive floor before assembly, and follow the assembly steps to assemble your newly purchased product correctly and efficiently.




TOOLS REQUIRED (NOT PROVIDED)	
PHILLIPS SCREWDRIVER	

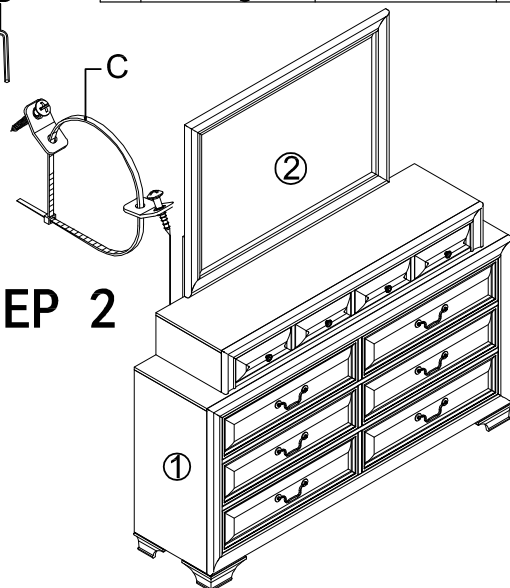
PARTS LIST:			
No.	Sketch	Description	Quantity
1		DRESSER	1PC
2		MIRROR	1PC
3		MIRROR SUPPORTS	2PCS

STEP 1




HARDWARE LISTS			
No.	OUTLOOK	SIZE	Q'TY
A		JCBC Bolt 1/4"X20X32mm	8PCS
		Lock Washer 1/4"	8PCS
		Flat Washer 1/4"X19mmX1mm	8PCS
B		Allen Key	1PC
C		Tipping Restraint	1SET

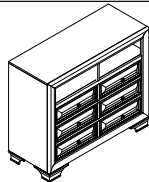
STEP 2

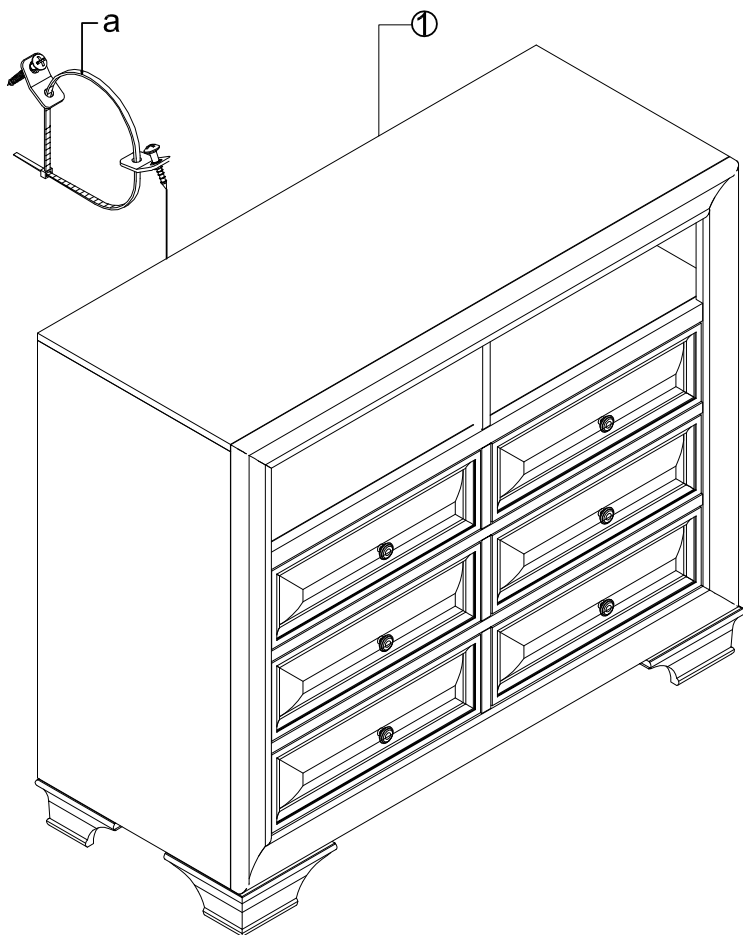



Caution: Please read instructions thoroughly before unpacking assembly parts. Sharp, exposed staple tips can cause injury, therefore, for your protection, please remove any exposed staple used in packing.

1. We recommend that you should assemble this product with the assistance of another person; this will make assembly easier, and will help to eliminate damage to the product or injury to persons during assembly.
2. Be sure to check all packing materials carefully for small parts that may have come loose inside the carton during shipment.
3. please do not over tighten screws or bolts.
4. Please put all parts on a non-abrasive floor before assembly, and follow the assembly steps to assemble your newly purchased product correctly and efficiently.

TOOLS REQUIRED (NOT PROVIDED)	
PHILLIPS SCREWDRIVER	

PARTS LIST:			
No.	Sketch	Description	Quantity
1		PLASMA CHEST	1PC



HARDWARE LIST:			
No.	Sketch	Description	Quantity
a		TIPPING RESTRAINT	1SET