

# Assembly Instructions

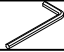



PHOM 2209-140 DRESSER #SKU 32122094  
 2209-04M MIRROR #SKU 32222096


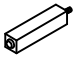
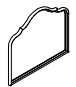

Version#2-2025/11/22

Thank you for purchasing this quality product. Be sure to check all packing materials carefully for small parts, which may have come loose inside the carton during shipment. Identify and count all parts and compare with the **HARDWARE LIST** below.

**Caution:** Please read instructions thoroughly before unpacking assembly parts.

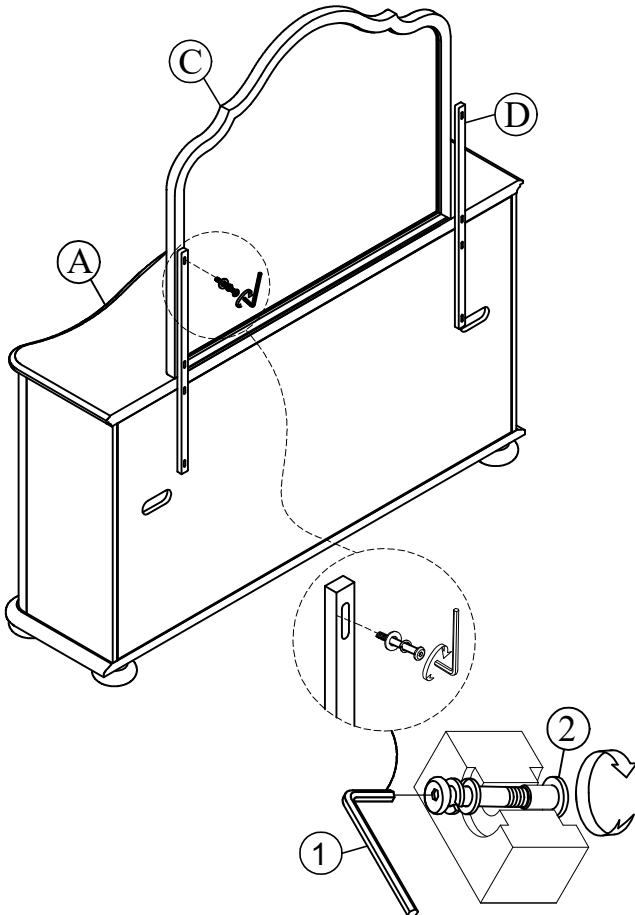
1. We recommend that you assemble this product with the assistance of another person; this will make assembly easier, and will help to eliminate damage to the product or injury to persons during assembly.
2. Please put all parts on a non-abrasive floor before assembly, and follow the assembly steps to assemble your newly purchased product correctly and efficiently.
3. Do not tighten all bolts until the assembly is completed.

HARDWARE LIST			
1		ALLEN KEY (L57 * 4MM)	1
2		BOLT Ø1/4" 20*38 (PRE-ASSEMBLED)	8
		SPRING WASHER Ø1/4" * 13mm (PRE-ASSEMBLED)	8
		FLAT WASHER Ø1/4" * 19mm * 2mm (PRE-ASSEMBLED)	8
		T-NUT BUSHING 1/4"* L10*Ø17 (PRE-ASSEMBLED)	8
3		ANTI-TIPPING KIT	1
TOOLS REQUIRED (NOT PROVIDED)			
DESCRIPTION		SKETCH	
PHILLIPS SCREWDRIVER			

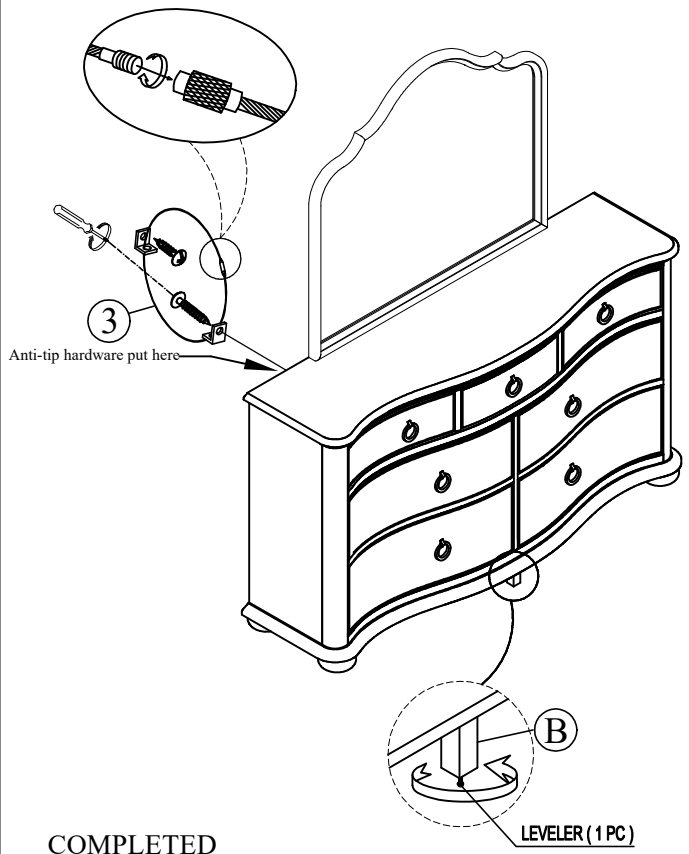
NO.	PARTS LIST		Q' TY
A		Dresser (Sold separately)	1
B		Center Leg (LEVELER)	1
C		Landscape Mirror	1
D		Mirror Support	2

## STEP: 1

Assemble the mirror into the dresser using bolts to screw into the glass support bar from the back of the dresser



★ Remark:  
 Anti-tip hardware must be installed by customer.  
 Anti-tip hardware attached to the back panel.



COMPLETED

Hardware pack Location(s): PHOM 2209-140 DRESSER #SKU 32122094  
 2209-04M MIRROR #SKU 32222096

MADE IN VIETNAM