



PNWD

# Assembly Instructions

Manufactured for  
Rooms To Go

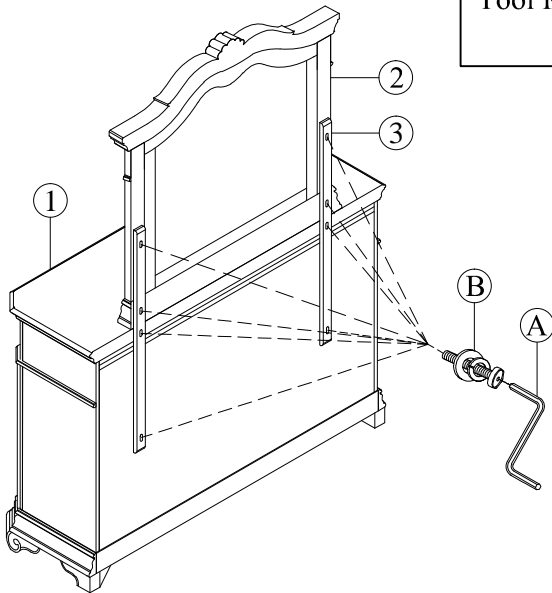
2257-M  
2257-D

MIRROR  
DRESSER

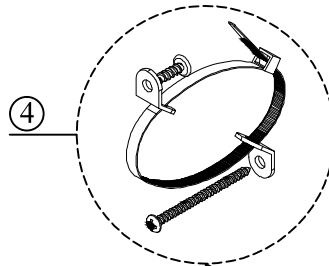
SKU# 3222577  
SKU# 32122575

Step	Code	Hardware	Q'TY
	A	Allen Key	1Pc
1	B	Bolt 1/4" x 20 x 1 1/2"	8Pcs
		Spring Washer 1/4" dia.	8Pcs
		Flat Washer 1/4" dia.	8Pcs

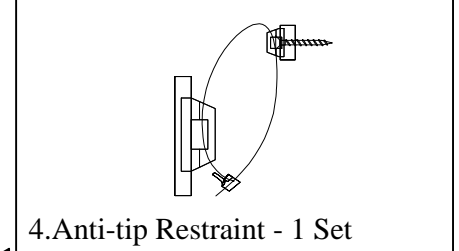
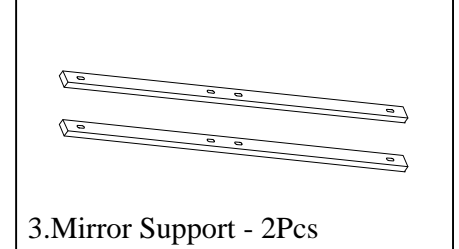
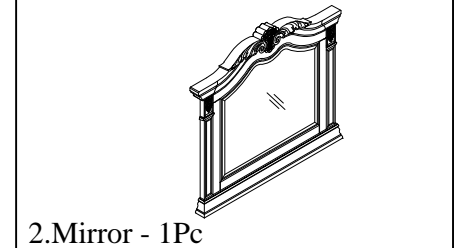
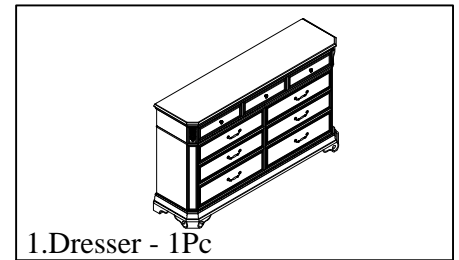
Tool Required: Philip screwdriver  
(not provided)



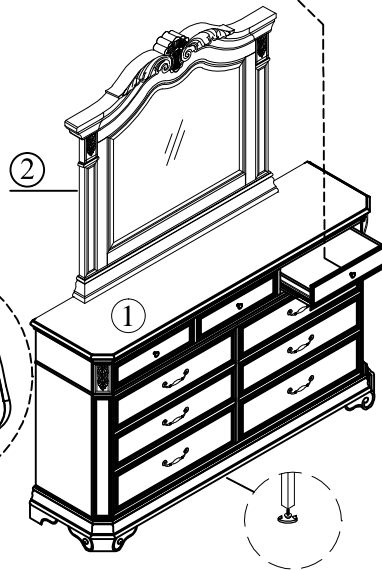
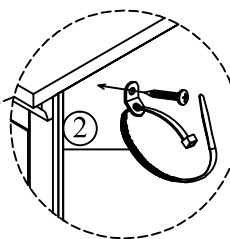
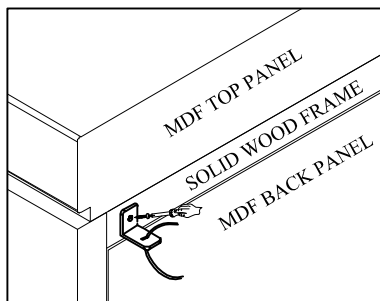
Anti-tip restraint



## PARTS LIST



\* Remarks: Tipping Restraint kit provided must be install to solid woodback frame only. Do not install to mdf top panel or MDF back panel.



HARDWARE PACK LOCATION(S):  
PNWD

2257-M MIRROR  
2257-D DRESSER

SKU# 3222577  
SKU# 32122575