

Assembly Instructions

Sofia Vergara
COLLECTION

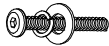

NAJA BDPATDR
32123844 2384-1 DRESSER WHITE ASH
NAJA BDPATDRC
32123856 2385-1 DRESSER CHOCOL CHOCOL

Thank you for purchasing this quality product. Be sure to check all packing material carefully for small parts, which may have come loose inside the carton during shipment. Identify and count all parts and compare with the **HARDWARE LIST** below.

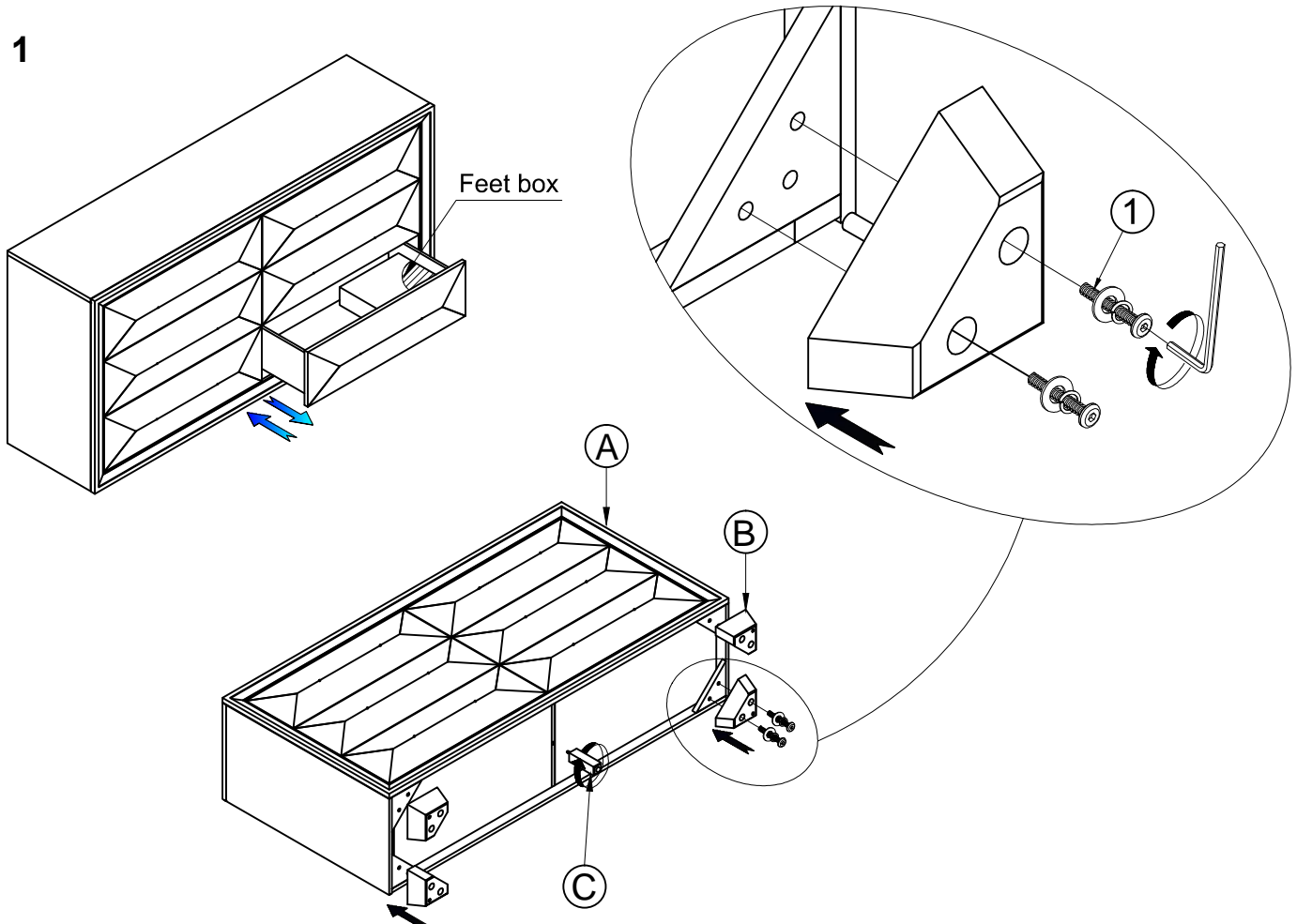
Caution : Please read instructions thoroughly before unpacking assembly parts.

1. We recommend that you should assemble this product with the assistance of another person; this will make assembly easier, and will help to eliminate damage to the product or injury to persons during assembly.
2. Please do not over tighten screws or bolts until the assembly is completed.
3. Please put all parts on a non - abrasive floor before assembly, and follow the assembly steps to assemble your newly purchased product correctly and efficiently.

NO.	PARTS LIST		Q'TY
A		Cabinet body	1
B		Feet	4
C		Center Support leg	1

NO.	HARDWARE LIST		Q'TY
1		Ø5/16"x18x 3x ¹ / ₈ "L Allen Bolt	8
		Ø5/16"xØ13x 2mm Spring washer	8
		Ø5/16"xØ22x 2mm T Flat washer	8
2		Allen wrench(4mm)	1
		Furniture tipping restraint	1

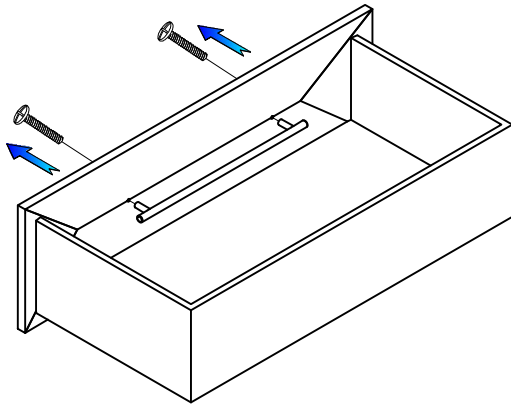
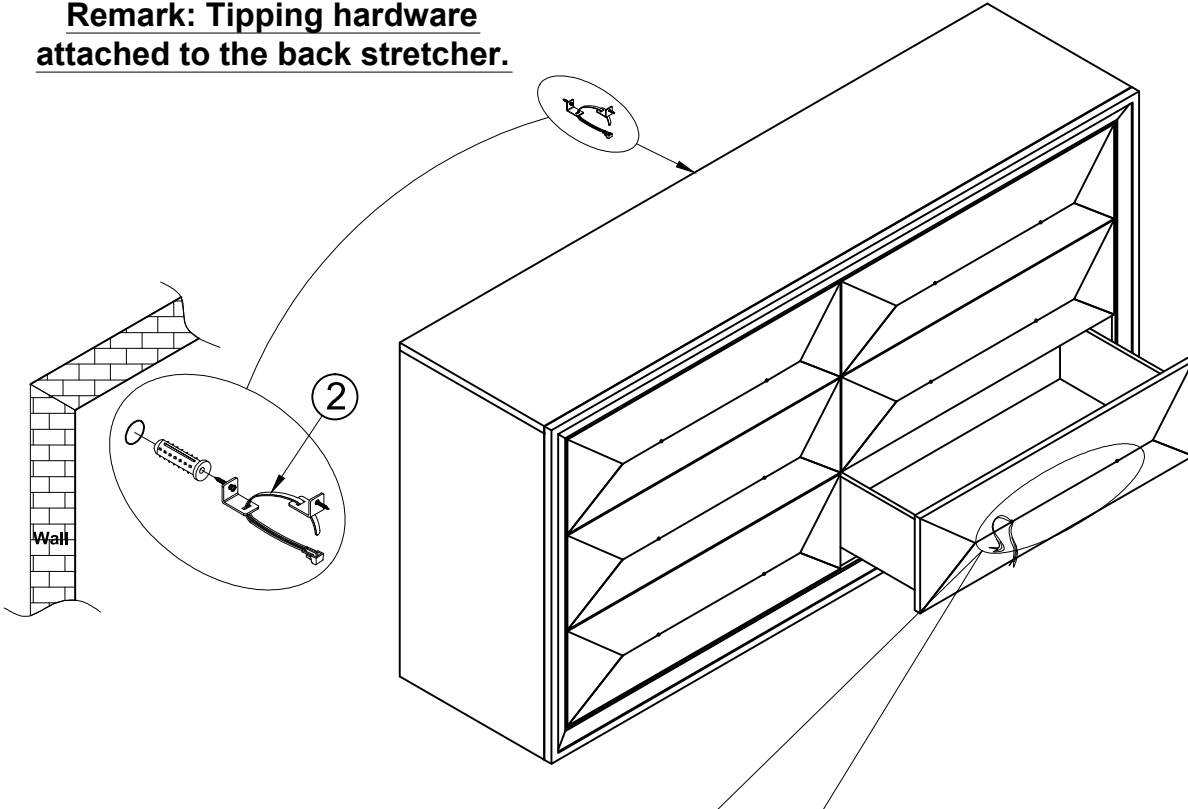
Step 1



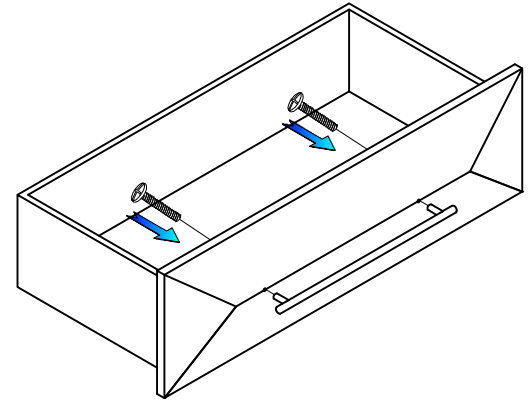
NAJA BDPATDR
32123844 2384-1 DRESSER WHITE ASH
NAJA BDPATDRC
32123856 2385-1 DRESSER CHOCOL CHOCOL

Remark: Tipping hardware attached to the back stretcher.

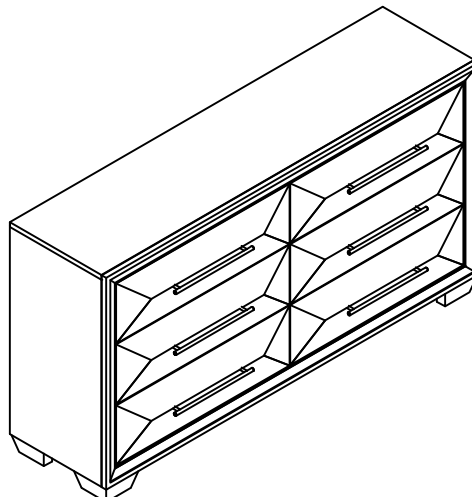
Step 2



#1 - The handle need to disassemble from the inside of drawer to the outside where are located property after unpacking



#2 - install drawer handle.



Assembly completed

Made in VietNam