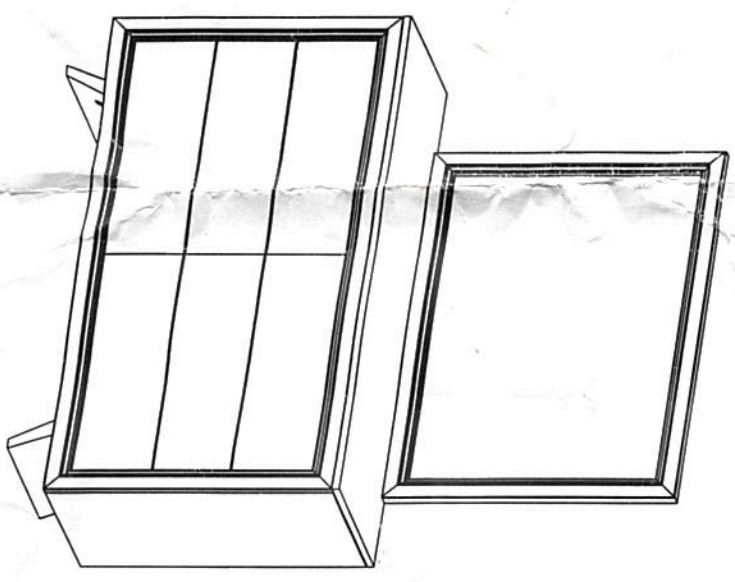
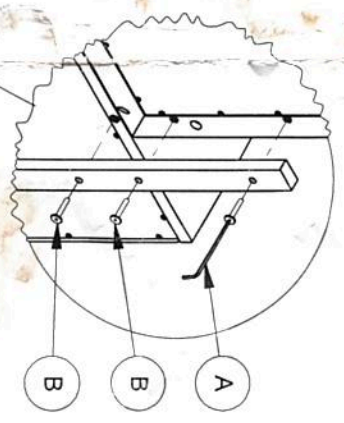
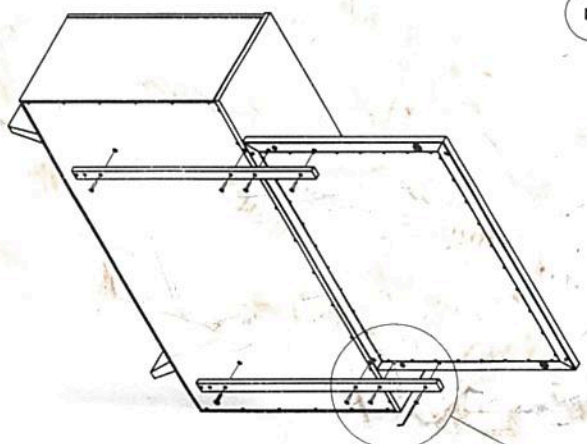
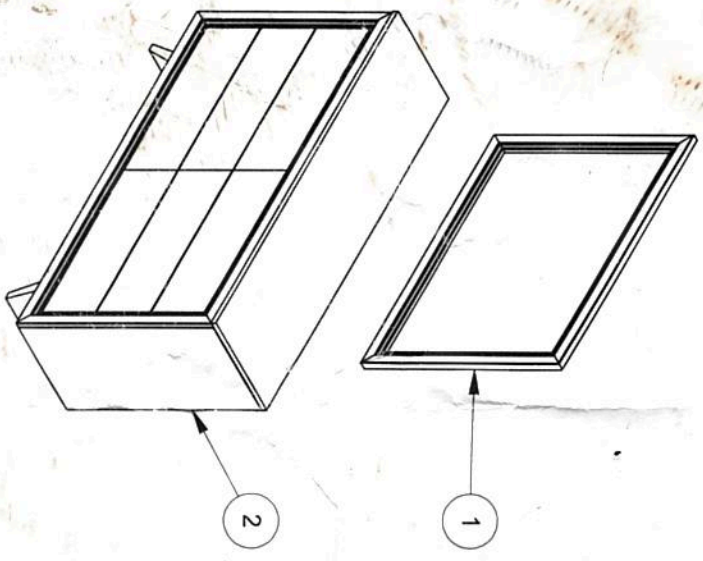


1	423.07
2	423.01

423.07 - SHUTTER

32224230



HARDWARE / ACCESSORIES	
A	ALLEN RANGE
B	Ø 1/4" X 40 CH 17
X 01	
X 08	