

ASSEMBLY INSTRUCTIONS

FCFR 2511-DR DRESSER - SKU: 32125432

FCFR 2512-DR DRESSER - SKU: 32125418

FCFR 2511-MR MIRROR - SKU: 32225434

FCFR 2512-MR MIRROR - SKU: 32225410

Manufactured by FCFR for ROOMS TO GO

Version 1: 05.11.2025

Caution : Please read instructions thoroughly before unpacking assembly parts. Sharp, exposed staple tips can cause injury, therefore, for your protection, please remove any exposed staples used in packing.

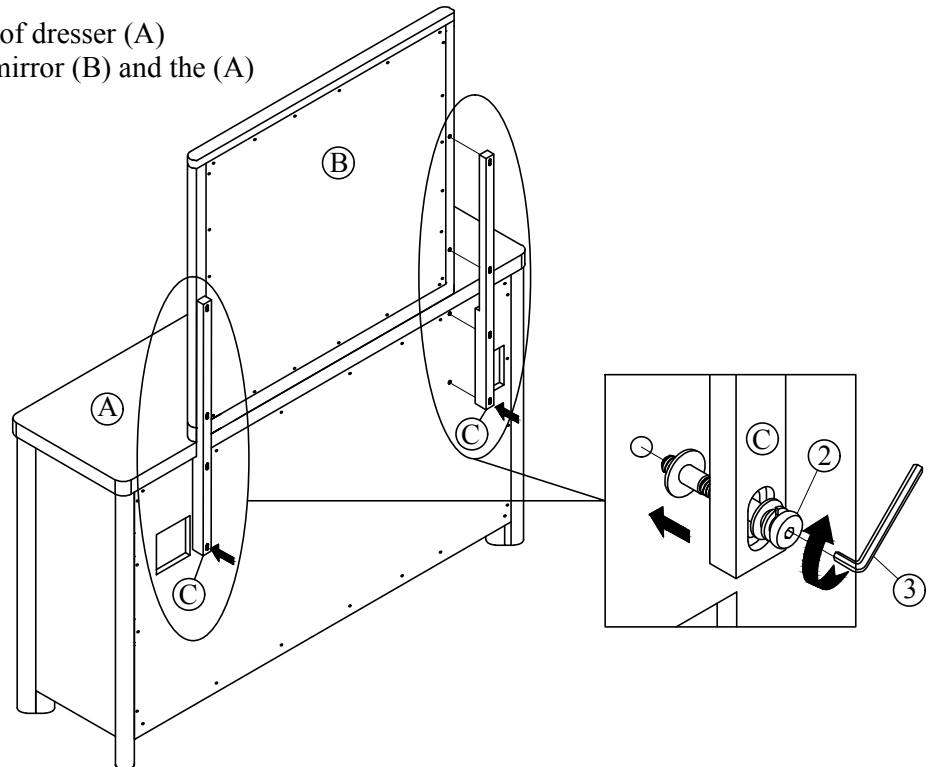
1. We recommend that you should assemble this product with the assistance of another person; this will make assembly easier, and will help to eliminate damage to the product or injury to persons during assembly.
2. Be sure to check all packing materials carefully for small parts that may have come loose inside the carton during shipment.
3. Please do not over tighten screws or bolts.
4. Please put all parts on a non-abrasive floor before assembly, and follow the assembly steps to assemble your newly purchased product correctly and efficiently.

NO.	PART LIST	Q'TY
A	DRESSER <i>(sold separately)</i>	1 Pc
B	MIRROR	1 Pc
C	WOOD SUPPORT	2 Pcs

NO.	HARDWARE LIST	Q'TY
1	Tipping Restraint	1 SET
Pre-installed 2	Bolt 1/4"-20*2" <i>Pre-installed</i>	8 Pcs
	Spring Washer 1/4" <i>Pre-installed</i>	8 Pcs
	Flat Washer 1/4"*19mm <i>Pre-installed</i>	8 Pcs
	Threaded Washer <i>Pre-installed</i>	8 Pcs
3	Allen Key 4mm	1 Pc
4	SCREW-DRIVER (NOT PROVIDED)	

★ Remark:
Anti-tip hardware must be installed by customer
Anti-tip hardware attached to the drawer of the Dresser

STEP 1: Place the mirror (B) on the top of dresser (A)
Then assemble wood support (C) to the mirror (B) and the (A)
Tighten with the hardware (2) as shown.



HARDWARE PACK LOCATION FCFR 2511-DR DRESSER - SKU: 32125432

HARDWARE PACK LOCATION FCFR 2512-DR DRESSER - SKU: 32125418

HARDWARE PACK LOCATION FCFR 2511-MR MIRROR - SKU: 32225434

HARDWARE PACK LOCATION FCFR 2512-MR MIRROR - SKU: 32225410

ASSEMBLY INSTRUCTIONS

FCFR 2511-DR DRESSER - SKU: 32125432

FCFR 2512-DR DRESSER - SKU: 32125418

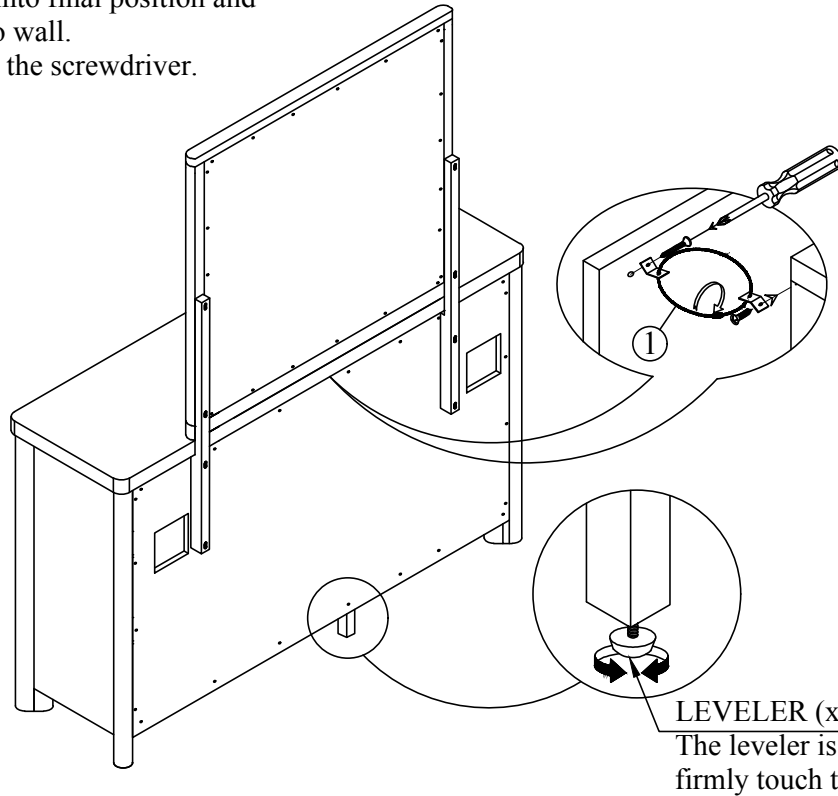
FCFR 2511-MR MIRROR - SKU: 32225434

FCFR 2512-MR MIRROR - SKU: 32225410

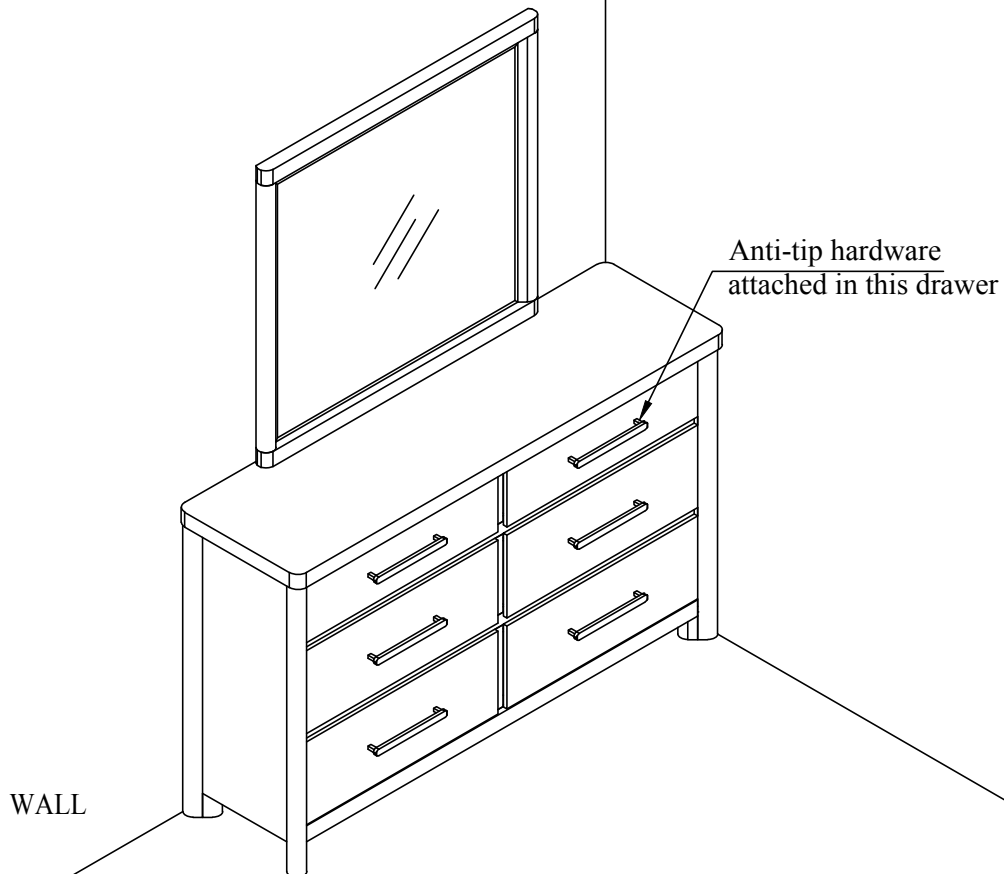
Manufactured by FCFR for ROOMS TO GO

Version 1: 05.11.2025

STEP 2: Move the Dresser into final position and use tipping restraint attach to wall.
Insert the screw (1) by using the screwdriver.



COMPLETED



HARDWARE PACK LOCATION FCFR 2511-DR DRESSER - SKU: 32125432

HARDWARE PACK LOCATION FCFR 2512-DR DRESSER - SKU: 32125418

HARDWARE PACK LOCATION FCFR 2511-MR MIRROR - SKU: 32225434

HARDWARE PACK LOCATION FCFR 2512-MR MIRROR - SKU: 32225410