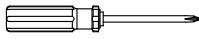


Assembly Instruction

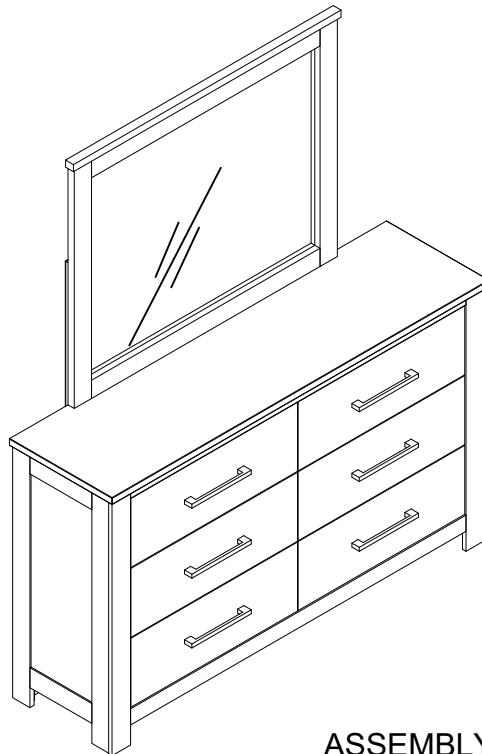
PDIL 2547-1 DRESSER
 2557-1 DRESSER
 2547-2 MIRROR
 2557-2 MIRROR

SKU#32125470
 SKU#32125571
 SKU#32225472
 SKU#32225573

WARNING: To avoid alignment issue, please don't tighten the screws unless all leg are adjusted at the same level.

NO	HARDWARE LIST	QTY
(B) Pre-installed on part 2	Threaded Washer 1/4" x 18 x 8mm (Pre-installed)	8 pcs
	Allen Bolt 1/4"-20 x 1-1/2 (Pre-installed)	8 pcs
	Spring Washer 1/4" (Pre-installed)	8 pcs
	Flat Washer 1/4" x 19 x 2mm (Pre-installed)	8 pcs
A	Allen Key (#4 x 2-1/4")	1 pc
TOOL REQUIRED (NOT PROVIDED): PHILLIPS SCREWDRIVER		

PART LIST		QTY
1	MIRROR	1 pc
2	MIRROR HOLDER	2 pcs



ASSEMBLY COMPLETED

Hardware pack Location(s):

PDIL 2547-1 DRESSER
 2557-1 DRESSER
 2547-2 MIRROR
 2557-2 MIRROR

SKU#32125470
 SKU#32125571
 SKU#32225472
 SKU#32225573

MADE IN VIETNAM

ROOMS TO GO ▶

Manufactured by PDIL for Rooms To Go

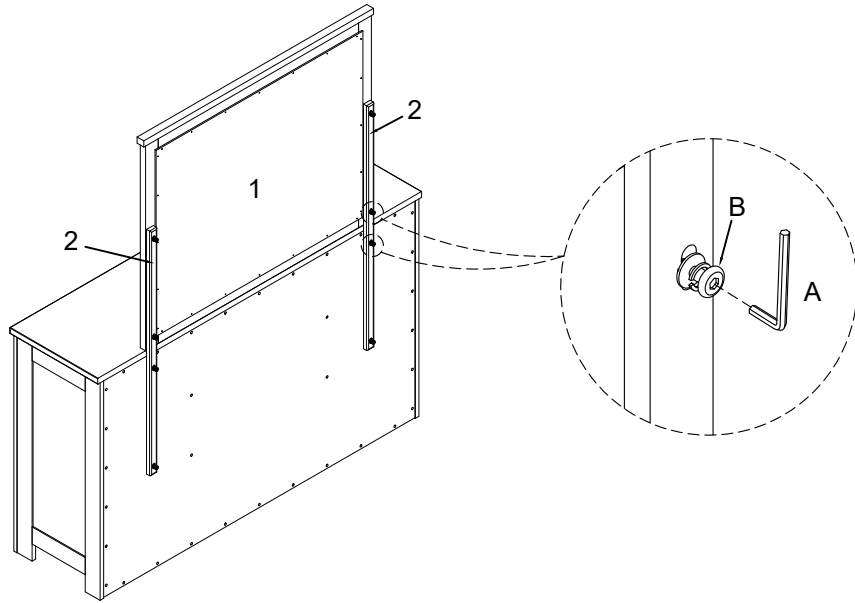
Assembly Instruction

PDIL 2547-1 DRESSER
 2557-1 DRESSER
 2547-2 MIRROR
 2557-2 MIRROR

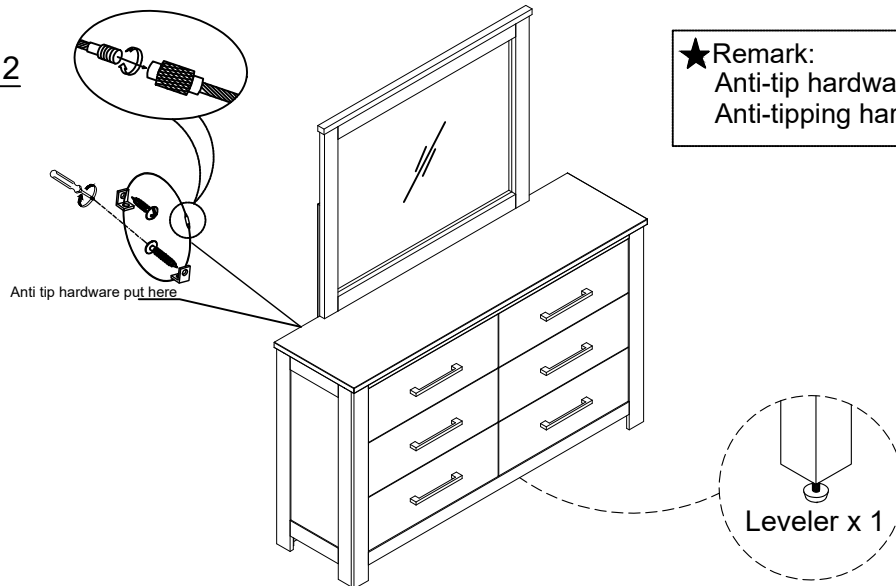
SKU#32125470
 SKU#32125571
 SKU#32225472
 SKU#32225573

***Caution: Please read all instructions carefully before starting the assembly process. These parts are cumbersome and heavy. Therefore, two people are recommended in order to prevent personal injury and ensure the parts are not damaged during the assembly.

STEP 1



STEP 2



★Remark:
 Anti-tip hardware must be installed by customer.
 Anti-tipping hardware attached to the back panel.

Hardware pack Location(s):

PDIL 2547-1 DRESSER
 2557-1 DRESSER
 2547-2 MIRROR
 2557-2 MIRROR

SKU#32125470
 SKU#32125571
 SKU#32225472
 SKU#32225573

MADE IN VIETNAM