

# ROOMS

# TO GO ►



# Assembly Instructions

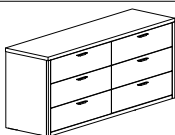


FRNR 2596-1- DRESSER - SKU#32125963

Thank you for purchasing this quality product. Be sure to check all packing material carefully for small parts, which may have come loose inside the carton during shipment. Identify and count all parts and compare with the HARDWARE LIST below.

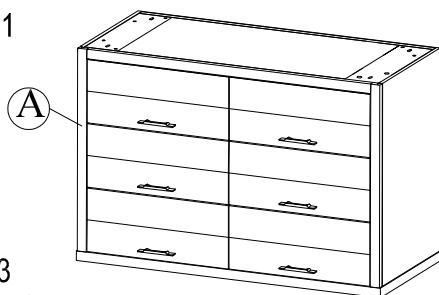
Caution: Please read instructions thoroughly before unboxing assembly parts.

1. We recommend that you assemble this product with the assistance of another person; this will make assembly easier, and will help to eliminate damage to the product or injury to persons during assembly.
2. Please do not over tighten screws or bolt until the assembly is completed.
3. Please put all parts on a non-abrasive floor before assembly, and follow the assembly steps to assemble your newly purchased product correctly and efficiently.

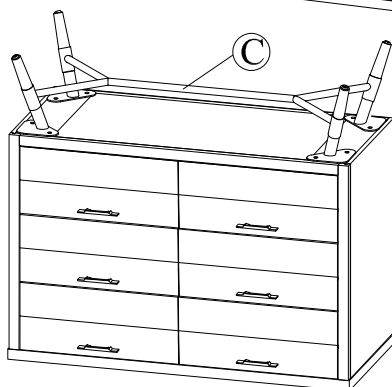
NO	Hardware List		Q'TY
1		Allen Bolt : Ø5/16"*20mm	8
		Spring washer : Ø5/16"*Ø14mm	8
		Flat washer : Ø5/16"*Ø18mm	8
		Allen wrench : 4mm	1

NO	Part List	Q'TY
A	 Table body	1
B	 Legs	4
C	 Horizontal Support Rail	1

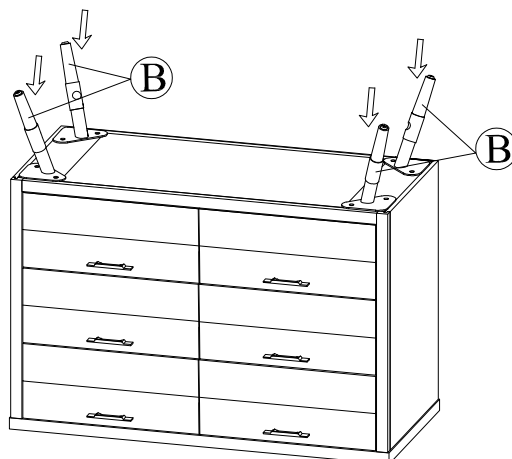
STEP 1



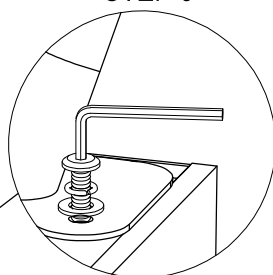
STEP 3



STEP 2

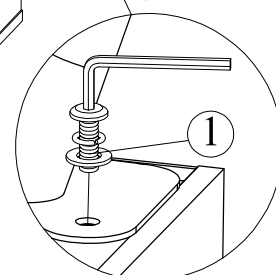


STEP 5

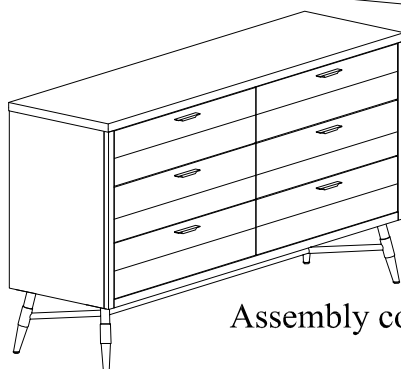
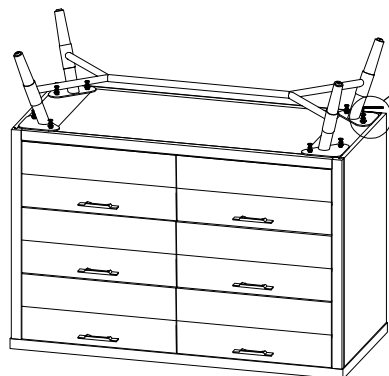


Tighten

STEP 4



Do not Tighten



Assembly completed

Made in VietNam