


HOUS 2636-04
2636-03


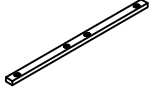

MIRROR
DRAWER DRESSER

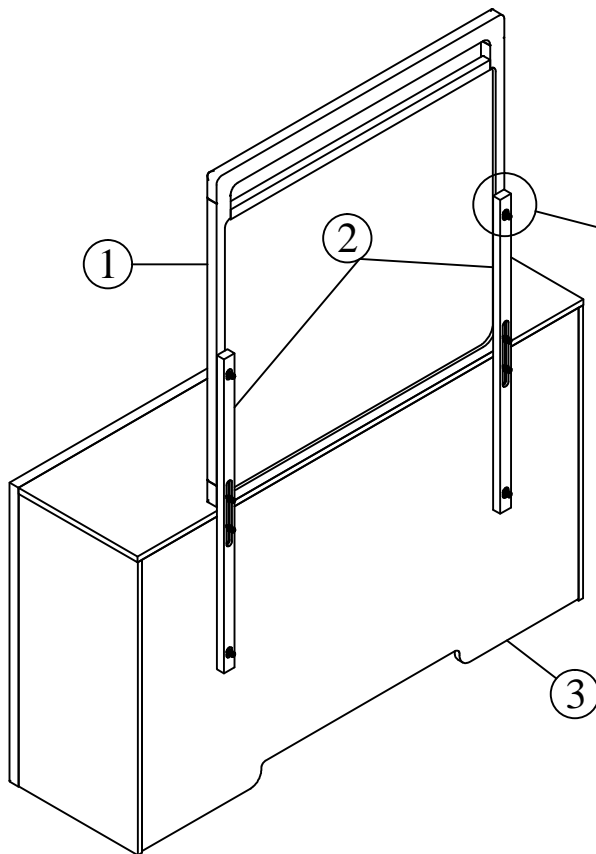
SKU NO.: 32226361
SKU NO.: 32126369

Version #1 - 2024/07/30

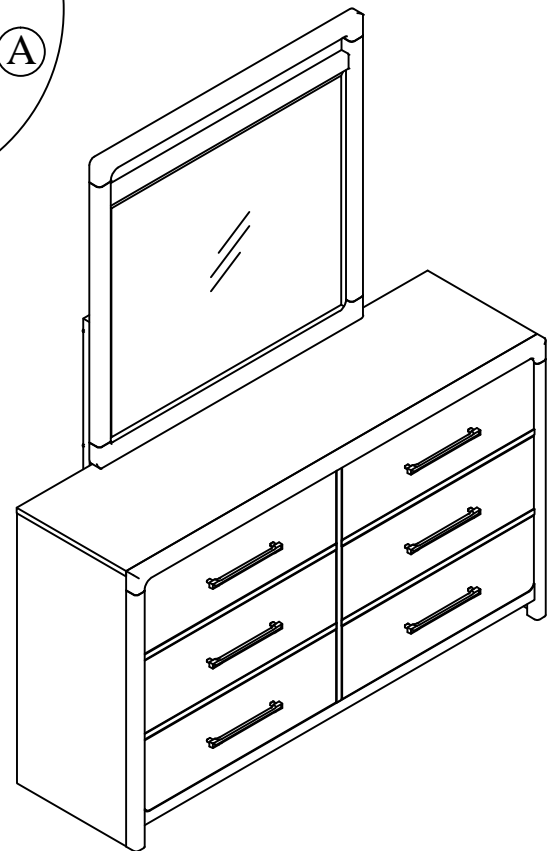
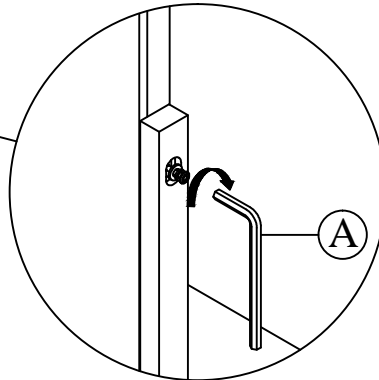
Thank you for purchasing this quality product. Be sure to check all packing material carefully for small parts, which may have come loose inside the carton during shipment. Identify and count all parts and compare with the part list below.

Step	Code	Hardware	Q'TY
1	A	 Allen Key 4mm x 74mm x 29mm	1Pc

Step	Code	Parts List	Q'TY
1	1	Mirror 	1Pc
1	2	Mirror Brackets (Packed With Mirror) 	2Pcs
1	3	Drawer Dresser (Sold separately) 	1Pc



Step 1



Remark: The bolts were pre-installed on the mirror brackets.
Step 1: With another person's assistance, lift the mirror (1) and attach mirror brackets (2) into position on top of the dresser (3). Secure the mirror in place by using allen key (A) tighten the bolts.

Hardware Pack Location:

2636-04 MIRROR, SKU NO.: 32226361

CLEANING INSTRUCTION: Clear with a soft cloth and warm water with a diluted mild detergent. Follow with a soft cloth and clear water rinse . Then dry thoroughly with a soft cloth.

MADE IN VIETNAM