



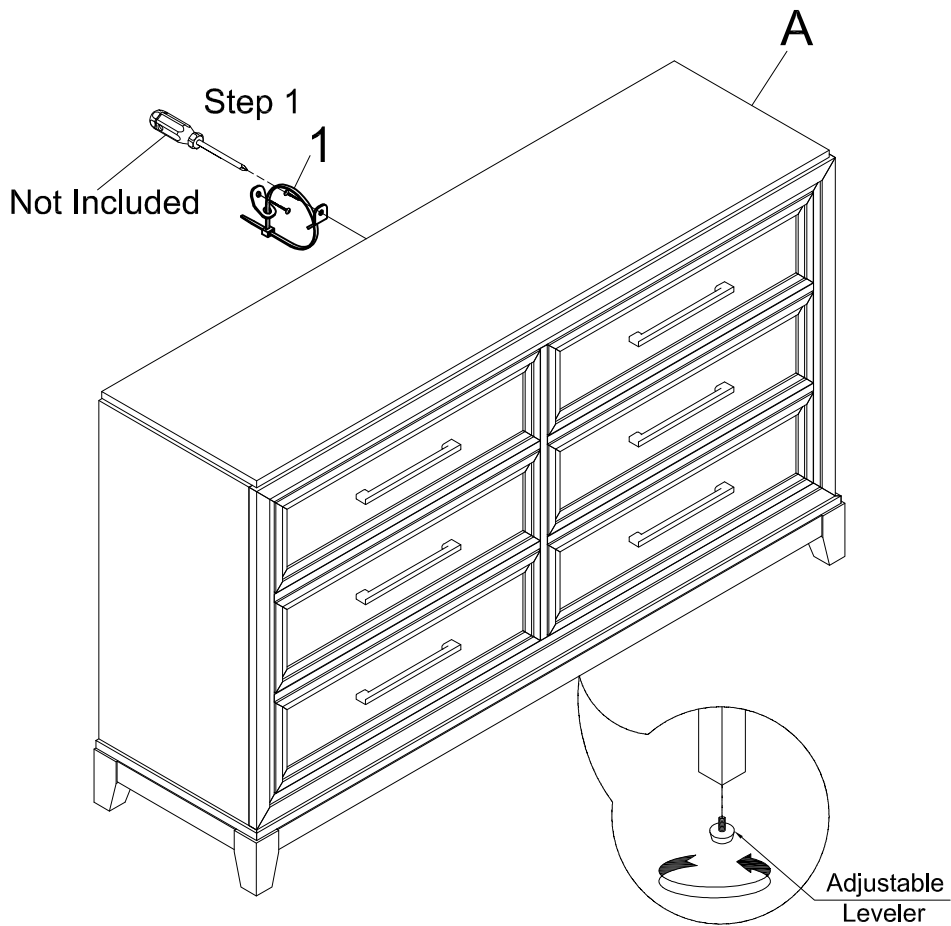
Part list

NO.	SKETCH	DESCRIPTION	Q'TY
A		Drawer Dresser	1 pc

Hardware list


NO.	SKETCH	DESCRIPTION	Q'TY
1		Furniture tipping restraint	1 set

Step 1: Add tipping restraint one side is attached to the Dresser, the other side is attached to the wall




Cleaning Instruction: Clean finished parts with a mild dishwashing liquid and water solution on a damp cloth. Polish the finish with soft cloth and an industry recognized furniture polish.

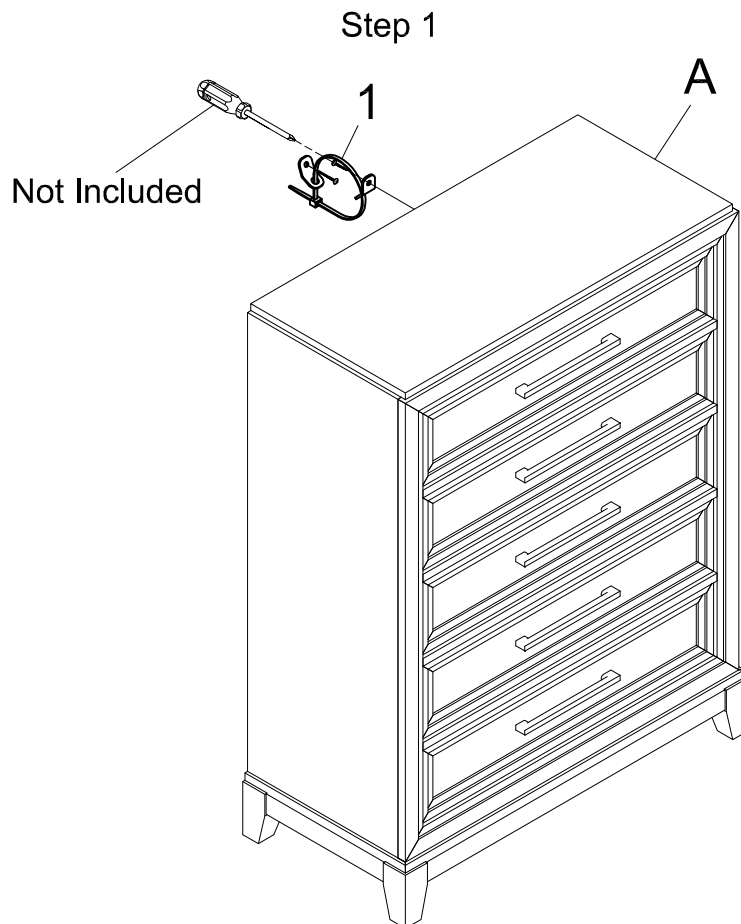
Part list

NO.	SKETCH	DESCRIPTION	Q'TY
A		Chest	1 pc

Hardware list


NO.	SKETCH	DESCRIPTION	Q'TY
1		Furniture tipping restraint	1 set

Step 1: Add tipping restraint one side is attached to the Chest, the other side is attached to the wall




Cleaning Instruction: Clean finished parts with a mild dishwashing liquid and water solution on a damp cloth. Polish the finish with soft cloth and an industry recognized furniture polish.

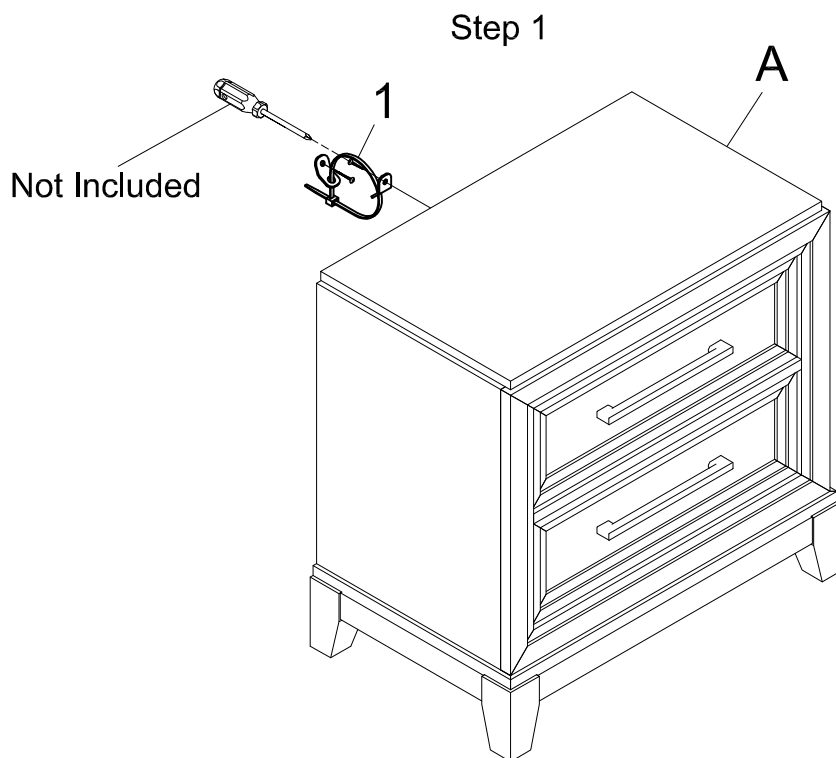
Part list

NO.	SKETCH	DESCRIPTION	Q'TY
A		Night Stand	1 pc

Hardware list


NO.	SKETCH	DESCRIPTION	Q'TY
1		Furniture tipping restraint	1 set

Step 1: Add tipping restraint one side is attached to the Night Stand, the other side is attached to the wall




Cleaning Instruction: Clean finished parts with a mild dishwashing liquid and water solution on a damp cloth. Polish the finish with soft cloth and an industry recognized furniture polish.

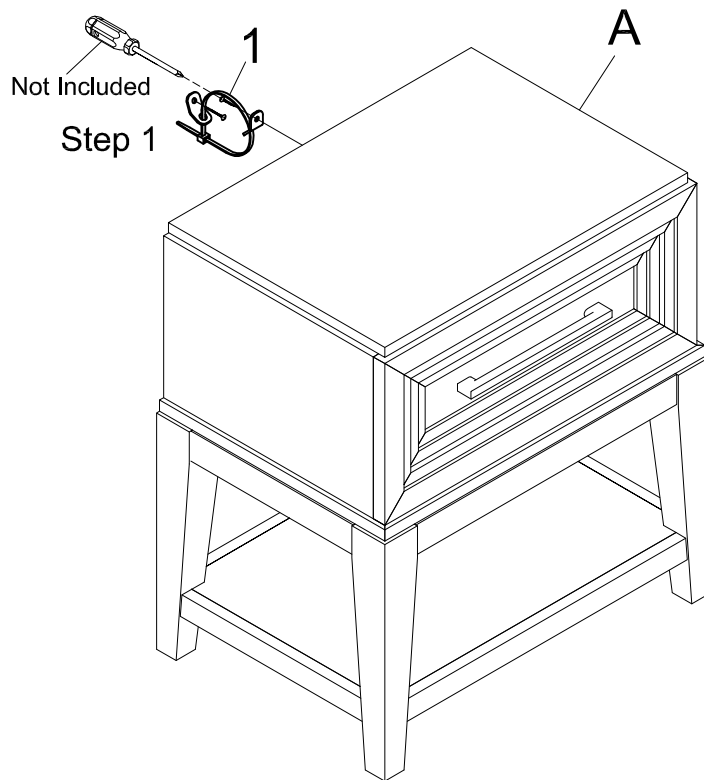
Part list

NO.	SKETCH	DESCRIPTION	Q'TY
A		Night Stand	1 pc

Hardware list

NO.	SKETCH	DESCRIPTION	Q'TY
1		Furniture tipping restraint	1 set

Step 1: Add tipping restraint one side is attached to the Night Stand, the other side is attached to the wall



Cleaning Instruction: Clean finished parts with a mild dishwashing liquid and water solution on a damp cloth. Polish the finish with soft cloth and an industry recognized furniture polish.




Assembly Instruction

HOUS 2717-06
HOUS 2717-03N



Mirror
Drawer Dresser

SKU# 32227173
SKU# 32127183


Part list

NO.	SKETCH	DESCRIPTION	Q'TY
A		Drawer Dresser	1 pc
B		Mirror	1 pc
C		Mirror support	2 pcs

Hardware list (Enclosed in Mirror)

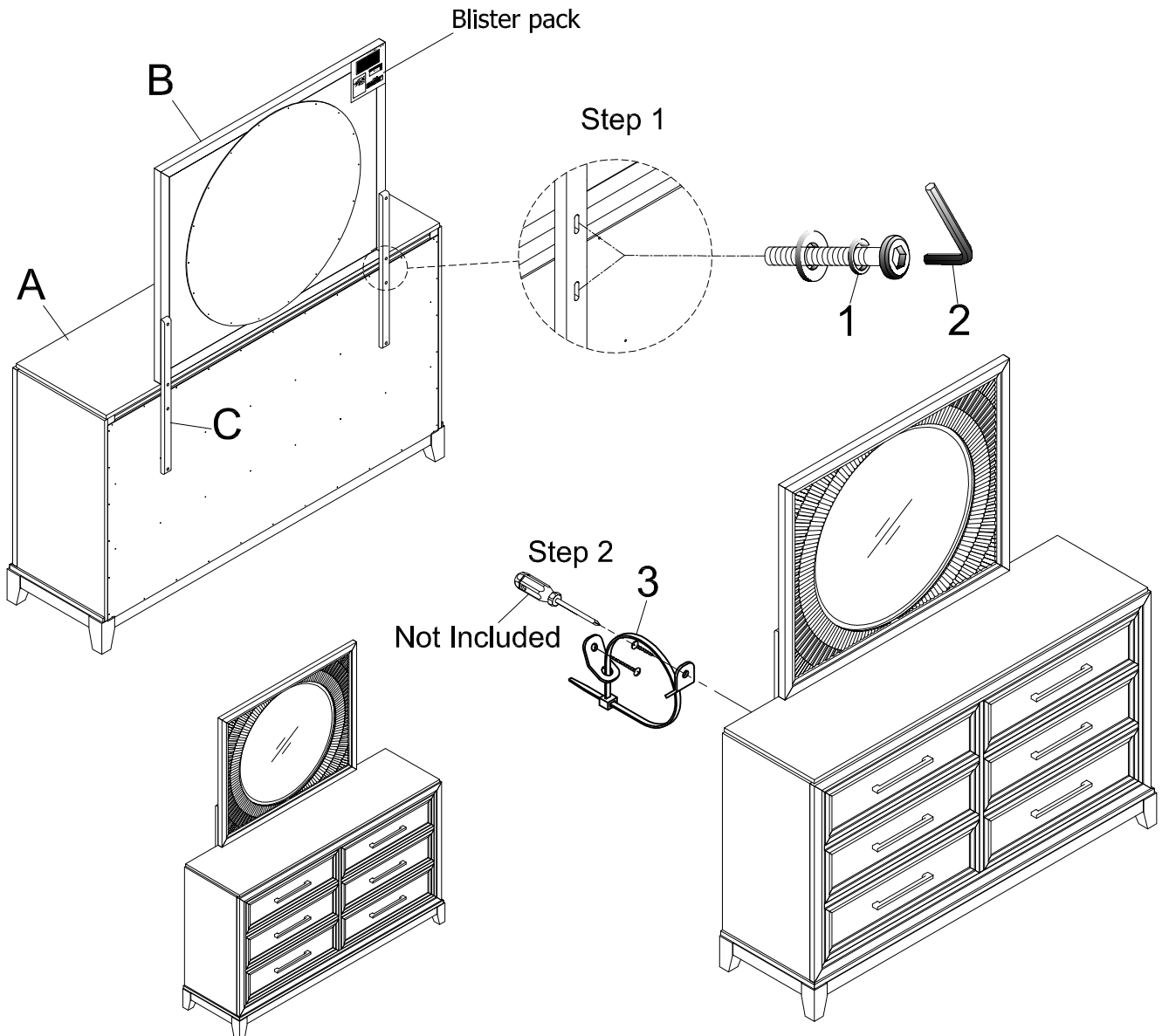
NO.	SKETCH	DESCRIPTION	Q'TY
1		1/4"x20x1-3/4" Connecting Bolt w/Washer & Spring Washer	8 set
2		4mm Allen wrench	1 pc

Hardware list (Enclosed in Dresser)

NO.	SKETCH	DESCRIPTION	Q'TY
3		Furniture tipping restraint	1 set

Step 1: Assemble bolt to link Mirror and Dresser

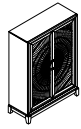
Step 2: Add tipping restraint one side is attached to the Dresser, the other side is attached to the wall




Cleaning Instruction: Clean finished parts with a mild dishwashing liquid and water solution on a damp cloth. Polish the finish with soft cloth and an industry recognized furniture polish.

Made in Vietnam

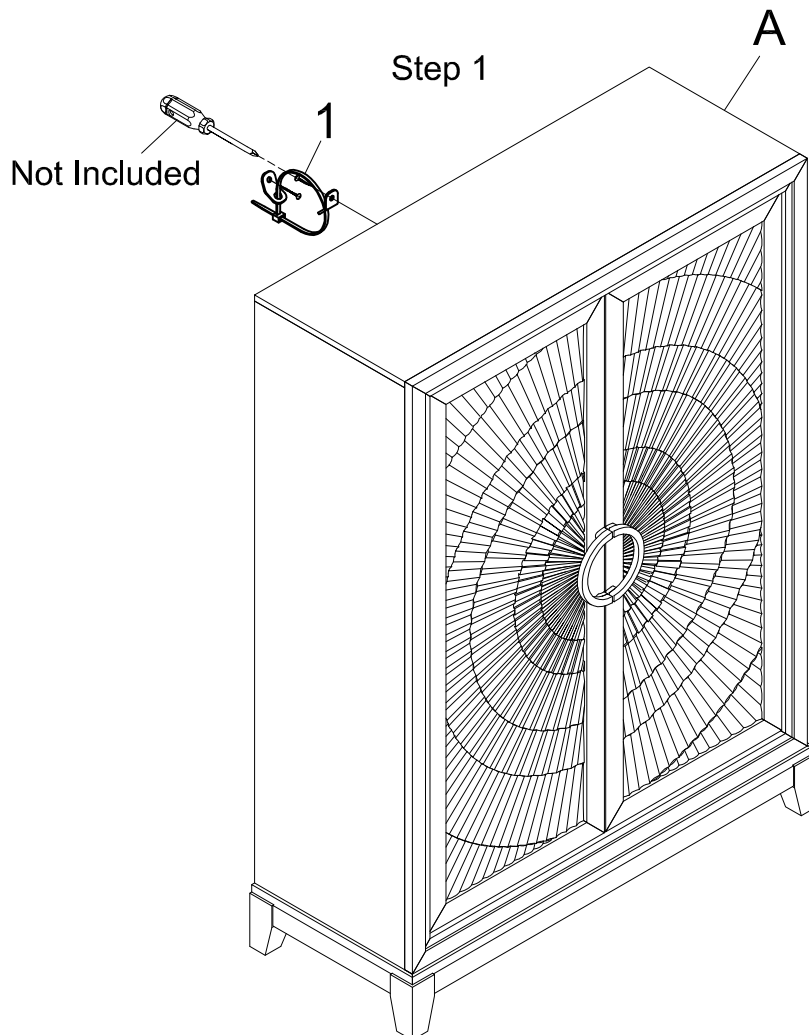
Part list

NO.	SKETCH	DESCRIPTION	Q'TY
A		Armoire	1 pc

Hardware list

NO.	SKETCH	DESCRIPTION	Q'TY
1		Furniture tipping restraint	1 set

Step 1: Add tipping restraint one side is attached to the Armoire, the other side is attached to the wall



Cleaning Instruction: Clean finished parts with a mild dishwashing liquid and water solution on a damp cloth. Polish the finish with soft cloth and an industry recognized furniture polish.

Assembly Instruction

HOUS 2717-21H QN Panel Headboard SKU# 32327175

HOUS 2717-22H KG Panel Headboard SKU# 32427177

Part list

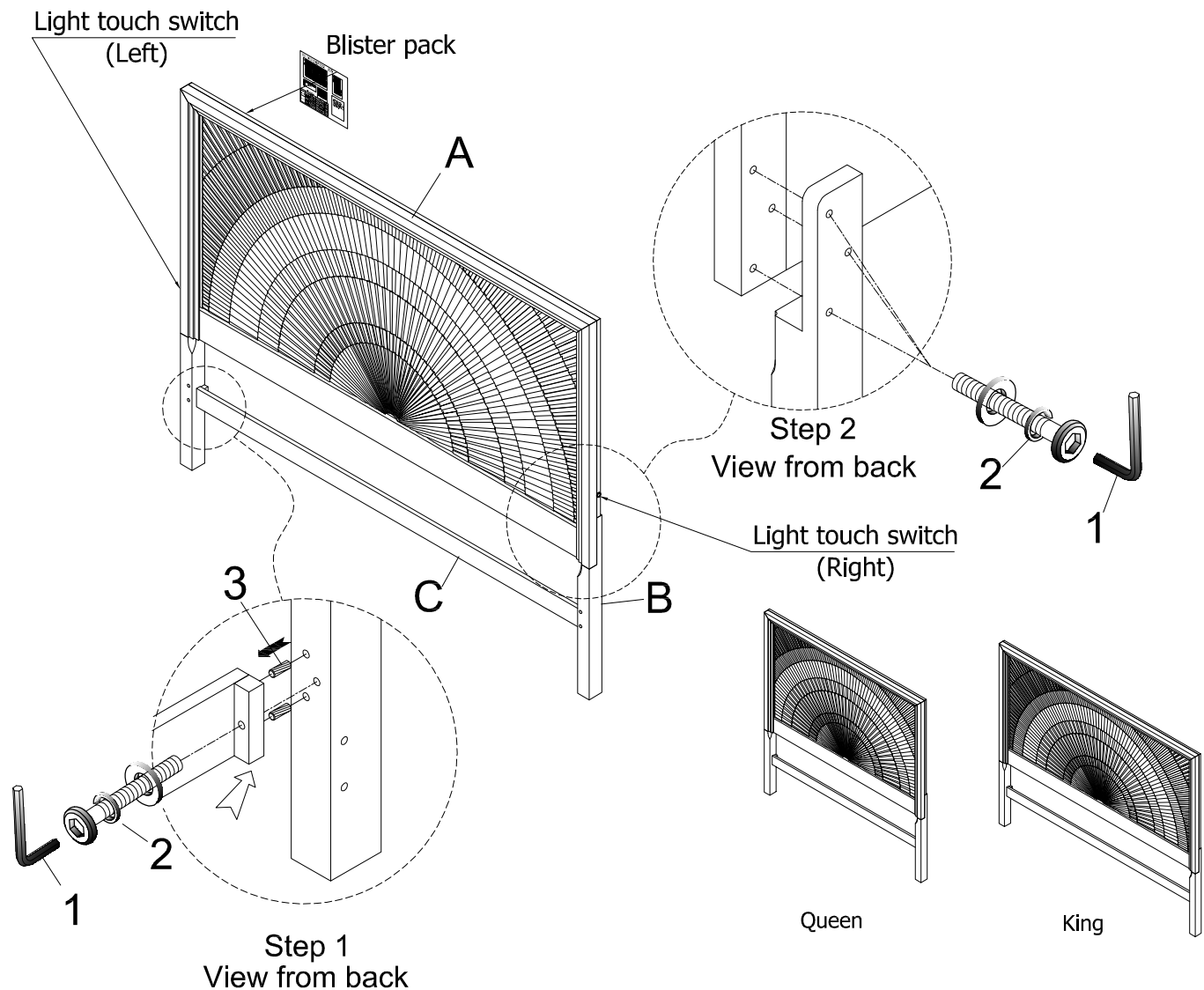
NO.	SKETCH	DESCRIPTION	Q'TY
A		Headboard panel	1 pc
B		Headboard Post (L/R)	2 pcs
C		Stretcher	1 pc

Hardware list

NO.	SKETCH	DESCRIPTION		Q'TY
1		4 mm	Allen key	1 pc
2		5/16"x18x2"	Connecting Bolt w/Washer & Spring Washer	8 set
3		ø8x30mm	Wood dowel	4 pcs

Step 1: Assemble the stretcher (C) to the headboard post(B) with wood dowel(3) and bolts(2)

Step 2: Assemble the headboard post (B) to the headboard panel (A) with bolts(2)




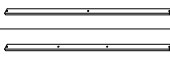

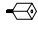


Cleaning Instruction: Clean finished parts with a mild dishwashing liquid and water solution on a damp cloth. Polish the finish with soft cloth and an industry recognized furniture polish.

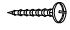
Assembly Instruction

HOUS 2717-21H	QN Panel Headboard	SKU# 32327175
HOUS 2717-21F	QN Panel Footboard w/slats	SKU# 32727173
HOUS 2717-21R	QN 5/0-KG 6/6 Rails	SKU# 32927177
HOUS 2717-22H	KG Panel Headboard	SKU# 32427177
HOUS 2717-22F	KG Panel Footboard w/slats	SKU# 32827175

Part list

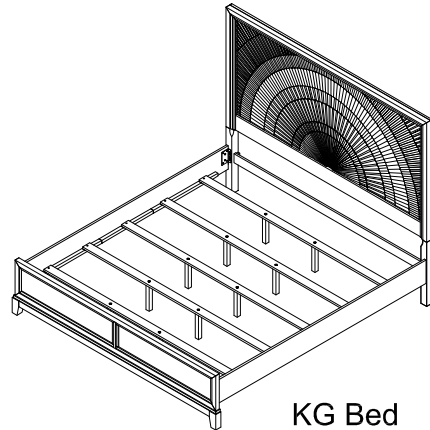
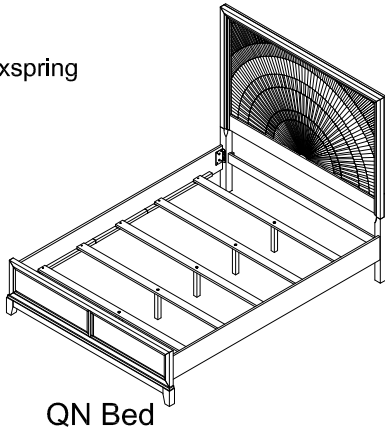
NO.	SKETCH	DESCRIPTION	Q'TY
A		Headboard	1 pc
B		QN 5/0-KG 6/6 Rails	2 pcs
C		Panel Footboard	1 pc
D		QN	5 pcs
		KG	
E		QN	5 pcs
		KG	10 pcs
F		QN	5 pcs
		KG	10 pcs

Hardware list

NO.	SKETCH	DESCRIPTION	Q'TY
1		Screw #8x1-1/4"	10 pcs

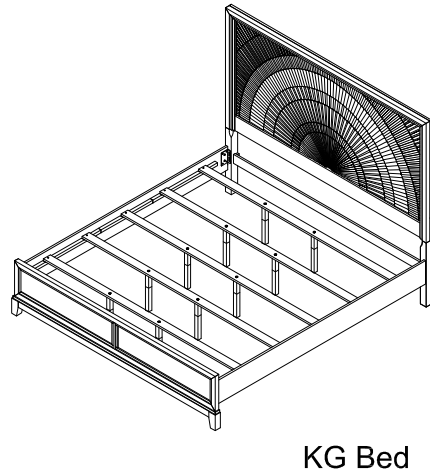
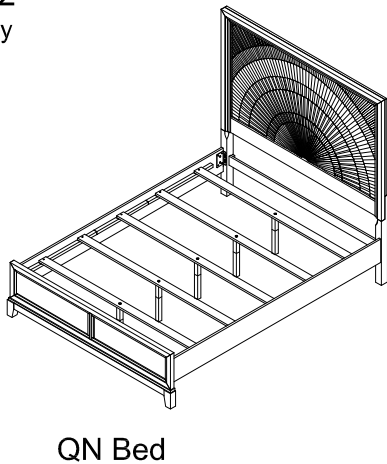
OPTION 1

Mattress & boxspring



OPTION 2

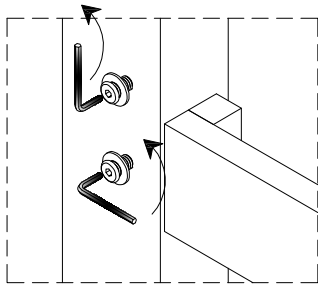
Mattress only



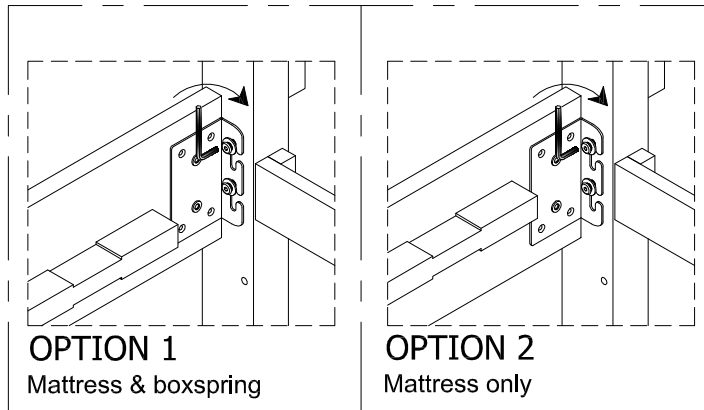
Cleaning Instruction: Clean finished parts with a mild dishwashing liquid and water solution on a damp cloth. Polish the finish with soft cloth and an industry recognized furniture polish.

Assembly Instruction

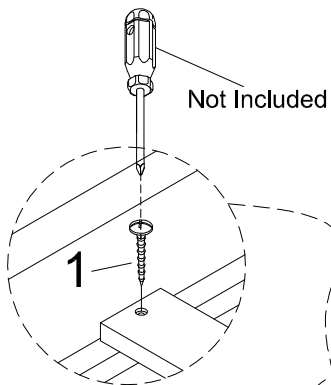
HOUS 2717-21H	QN Panel Headboard	SKU# 32327175
HOUS 2717-21F	QN Panel Footboard w/slats	SKU# 32727173
HOUS 2717-21R	QN 5/0-KG 6/6 Rails	SKU# 32927177
HOUS 2717-22H	KG Panel Headboard	SKU# 32427177
HOUS 2717-22F	KG Panel Footboard w/slats	SKU# 32827175



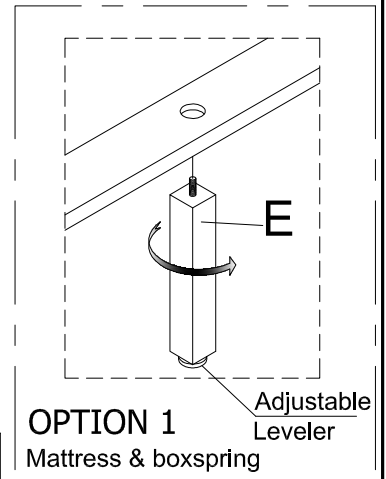
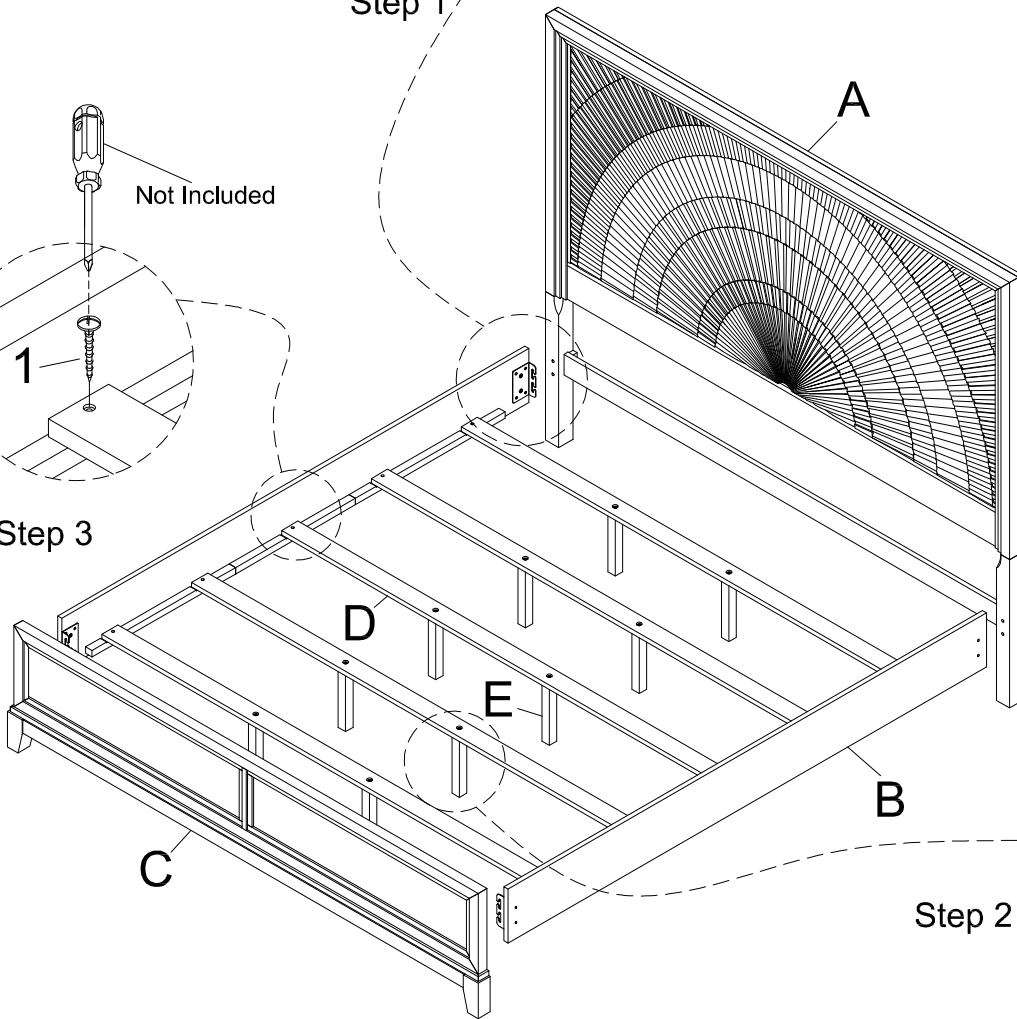
Loose all the bolts



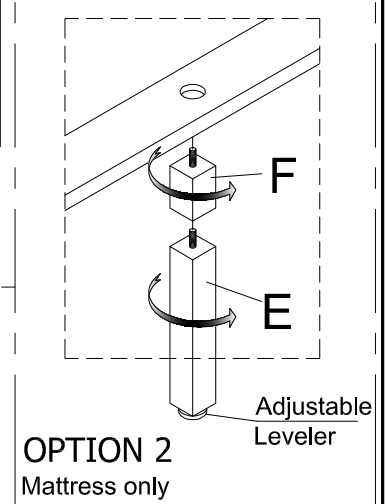
Step 1



Step 3



OPTION 1
Mattress & boxspring
Adjustable Leveler



OPTION 2
Mattress only
Adjustable Leveler

Step 2

Cleaning Instruction: Clean finished parts with a mild dishwashing liquid and water solution on a damp cloth. Polish the finish with soft cloth and an industry recognized furniture polish.