

Assembly Instructions

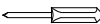
TIMI 2731-1 6 Drawer Dresser SKU: 32127311
 TIMI 2731-2 Mirror SKU: 32227313


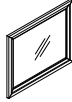

Manufactured by TIMI for Rooms To Go

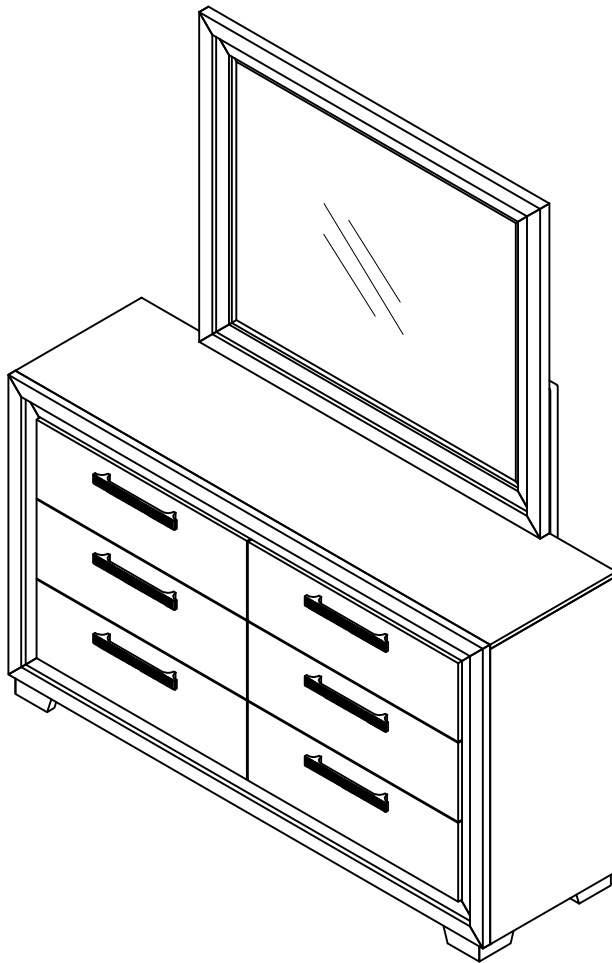
VERSION 1.0 - 2024/03/28

MIRROR HARDWARE LIST					
STEP	NO.	DESCRIPTION		SKETCH	Q'TY
1	A	Allen key	4 mm		1 pc

DRESSER HARDWARE LIST					
STEP	NO.	DESCRIPTION		SKETCH	Q'TY
2	B	Furniture tipping restraint			1 pc

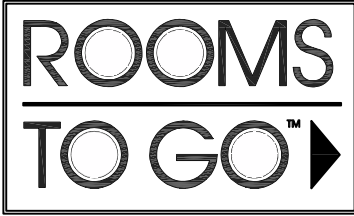
TOOLS REQUIRED (NOT PROVIDED)	
PHILLIPS SCREWDRIVER	

PART	PICTURE	DESCRIPTION	Q'TY
DRESSER PART LIST			
1		6 Drawer Dresser <i>(Sold separately)</i>	1 pc
MIRROR PART LIST			
2		Mirror	1 pc
3		Mirror supports w/bolts	2 pcs



Hardware Pack Location(s):

TIMI 2731-1 6 Drawer Dresser SKU: 32127311
 TIMI 2731-2 Mirror SKU: 32227313



Assembly Instructions

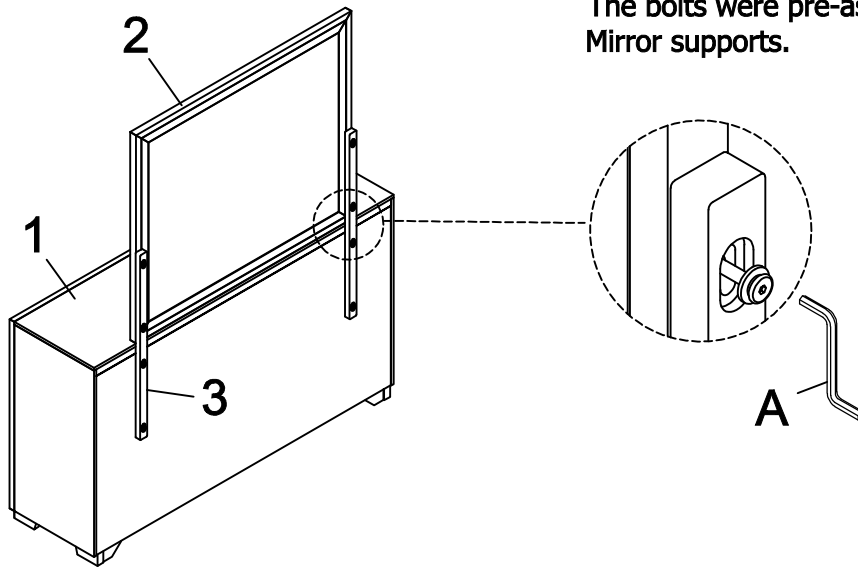
TIMI 2731-1 6 Drawer Dresser SKU: 32127311
TIMI 2731-2 Mirror SKU: 32227313

Manufactured by TIMI for Rooms To Go

VERSION 1.0 - 2024/03/28

*** Caution: Please read all instructions carefully before starting the assembly process. These parts are cumbersome and heavy. Therefore, two people are recommended in order to prevent personal injury and ensure the parts are not damaged during assembly.

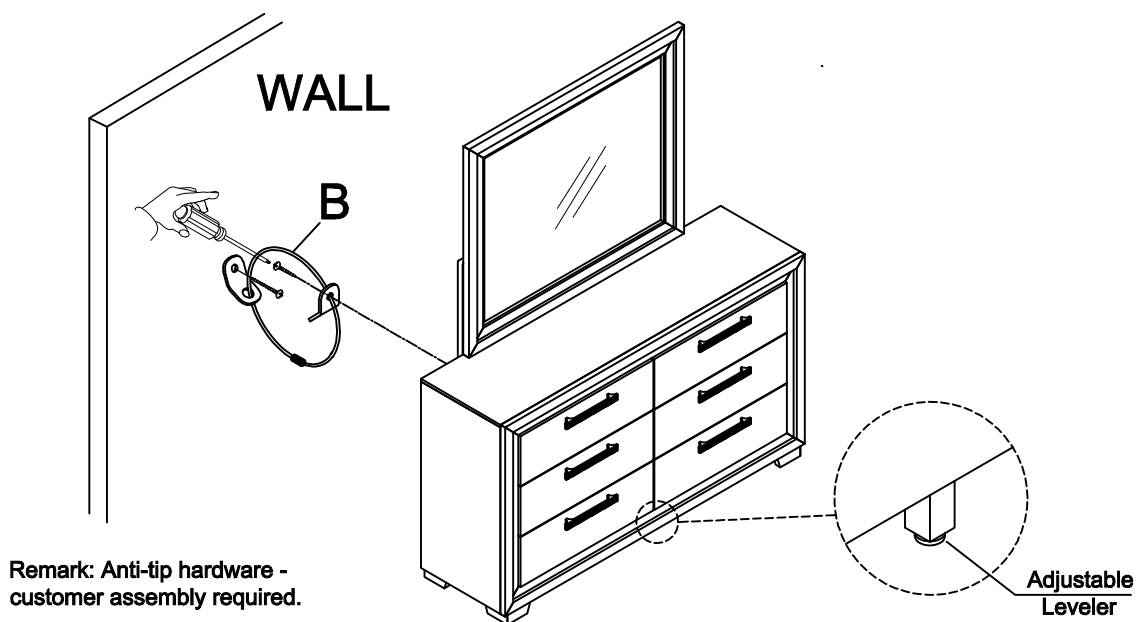
STEP 1



Remark:
The bolts were pre-assembled on the Mirror supports.

Assemble the Mirror support w/bolts (3) and Mirror (2) to the 6 Drawer Dresser (1).

STEP 2



Remark: Anti-tip hardware - customer assembly required.

Adjustable Leveler