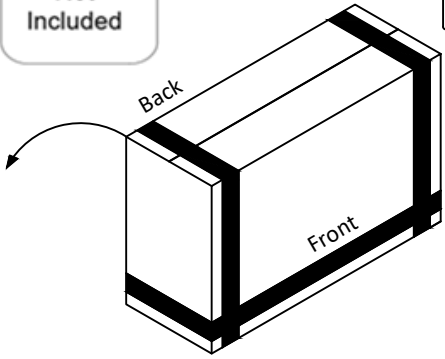


1 Rotate 90° twice counter-clockwise

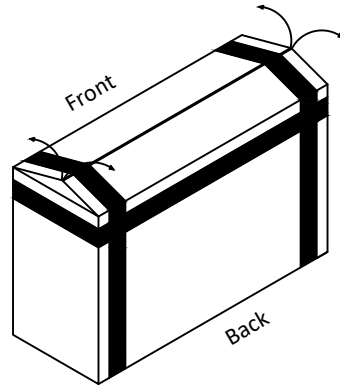


Anti Tip  
Hardware  
Included

Screwdriver  
Not  
Included



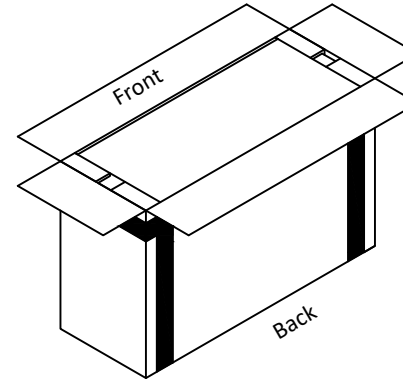
2 Open the carton using a cutter



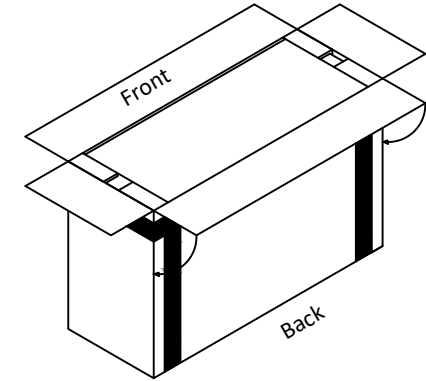
3 Open the carton fold

Screwdriver  
Not  
Included

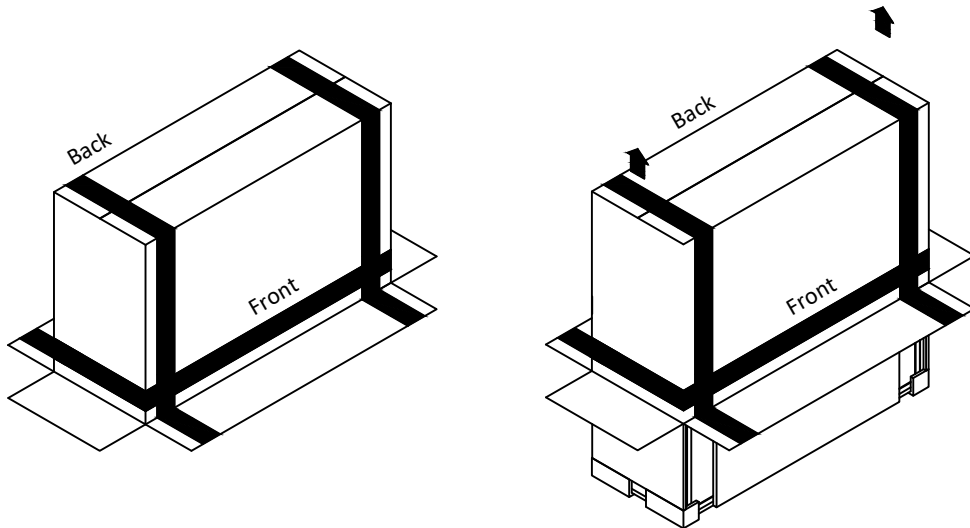
Anti Tip  
Hardware  
Included



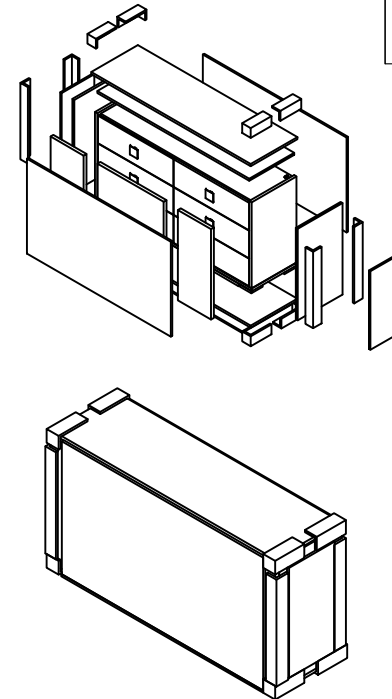
4 Rotate 90° twice -clockwise



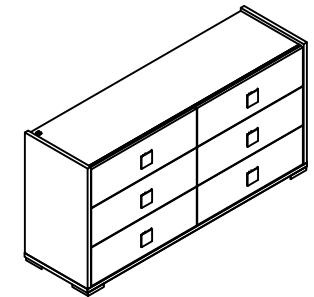
5 Lift the carton off



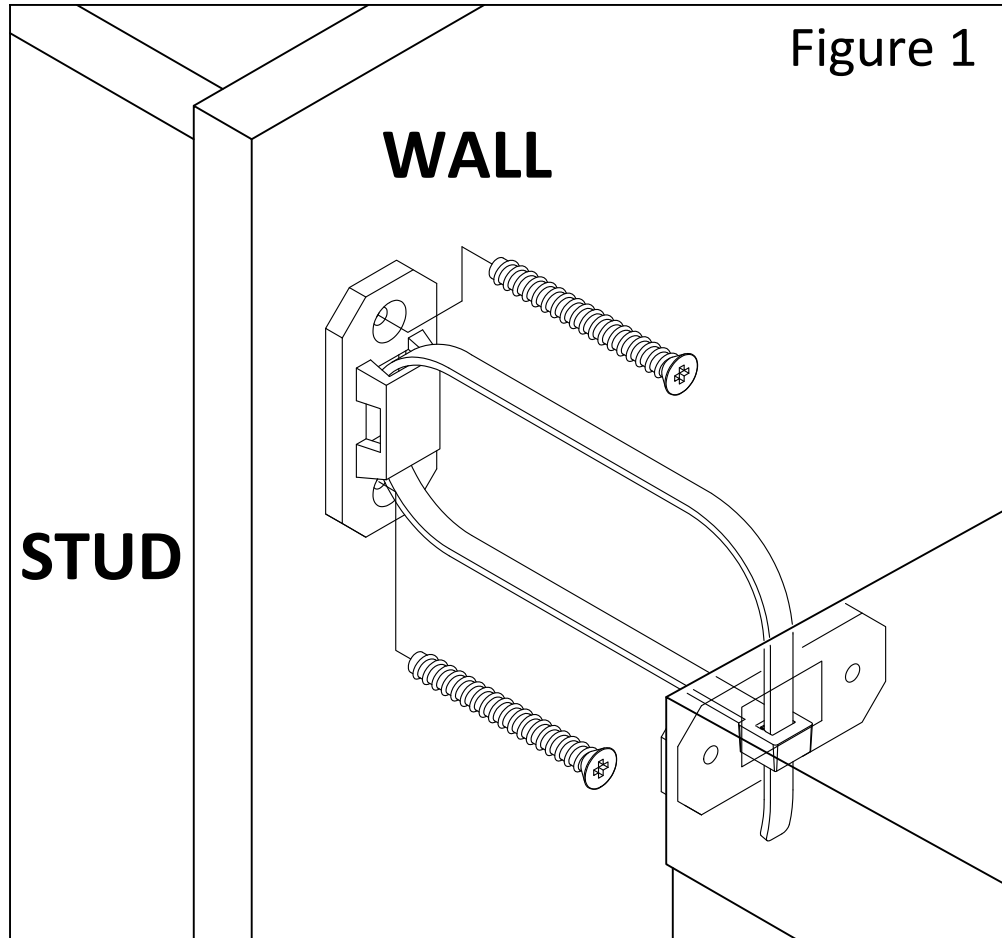
6 Remove all the packaging



7 Dresser ready to work



- 8** Determine desired location of furniture piece. Find wall stud behind furniture piece and position one bracket vertically on the stud approximately 1" below the top of furniture piece. Mark and drill pilot hole in the center of the stud with a 3/32" drill bit. Attach bracket to stud with the two 1 1/4" screws. (Figure 1)



- 9** The second bracket will need to be attached horizontally to the top of furniture frame. Temporarily move furniture away from wall and place a bracket near top of frame. Mark and drill holes for screws with a 3/32" drill bit. Attach bracket to furniture piece with the two 3/4" screws. (Figure 2)  
 Move furniture piece into its final position, taking care to line up the wall bracket with furniture bracket. Thread the strap through the brackets as shown in the illustrations. Tighten strap until snug. Note: Do not overtighten.

