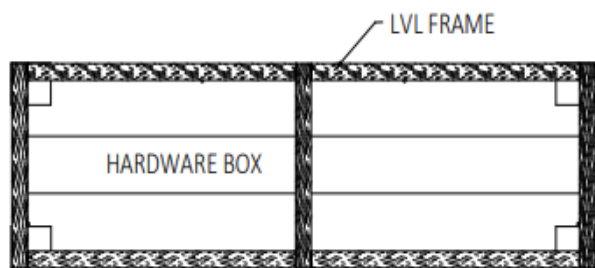
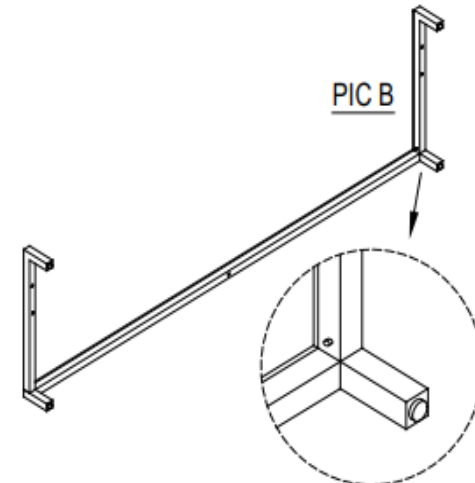
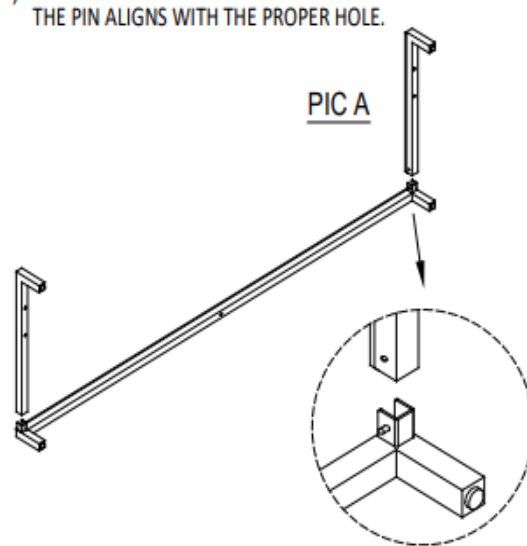


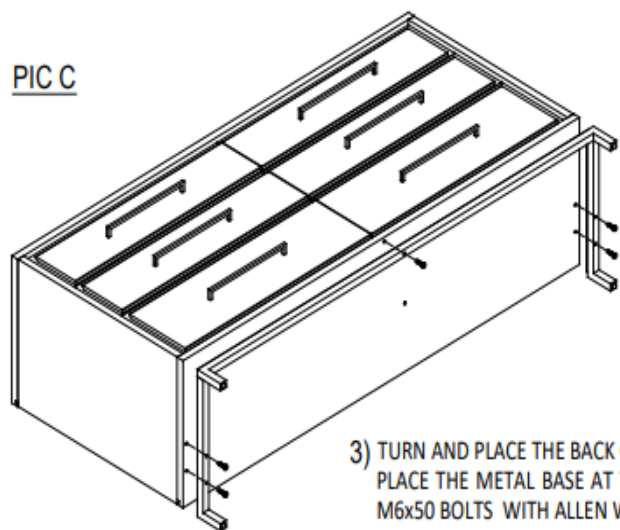
1) REMOVE HARDWARE BOX CONTAIN METAL BASE AND METAL HANDLES



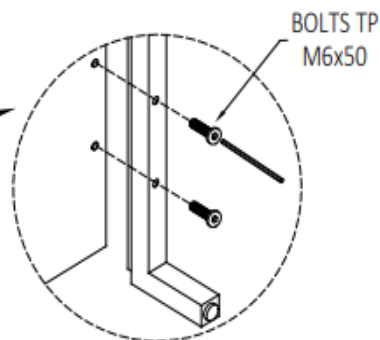
2) ALIGN AND INSERT THE UPRIGHTS INTO THE CROSSBAR AS SHOWN IN "PIC A". YOU SHOULD HEAR A SMALL "CLICK" WHEN THE PIN ALIGNS WITH THE PROPER HOLE.



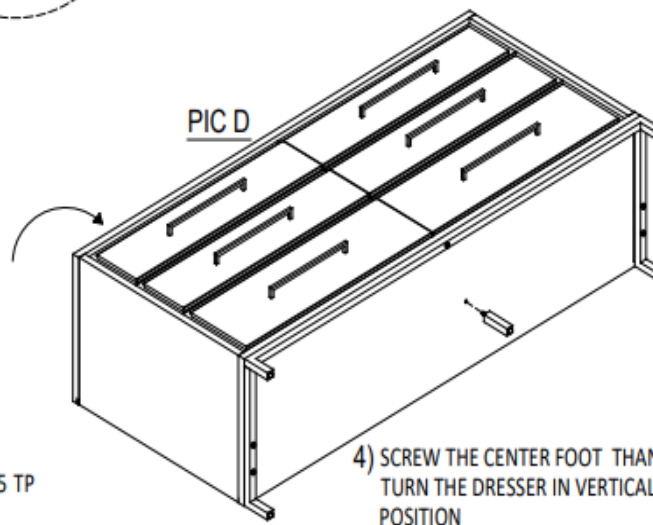
PIC C



3) TURN AND PLACE THE BACK OF THE DRESSER ON THE FLOOR. PLACE THE METAL BASE AT THE BOTTOM OF THE DRESSER AND FIX IT WITH n°5 TP M6x50 BOLTS WITH ALLEN WRENCH AS SHOWN IN "PIC C"



PIC D



4) SCREW THE CENTER FOOT THEN TURN THE DRESSER IN VERTICAL POSITION

**PARTS LIST**

