



ASSEMBLY INSTRUCTION


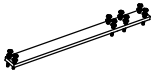

PULA: 3372-100 -DRESSER
PULA: 3372-110 -MIRROR



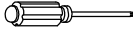
SKU: 32133720
SKU: 32233722

Version#1 - 05/15/2024

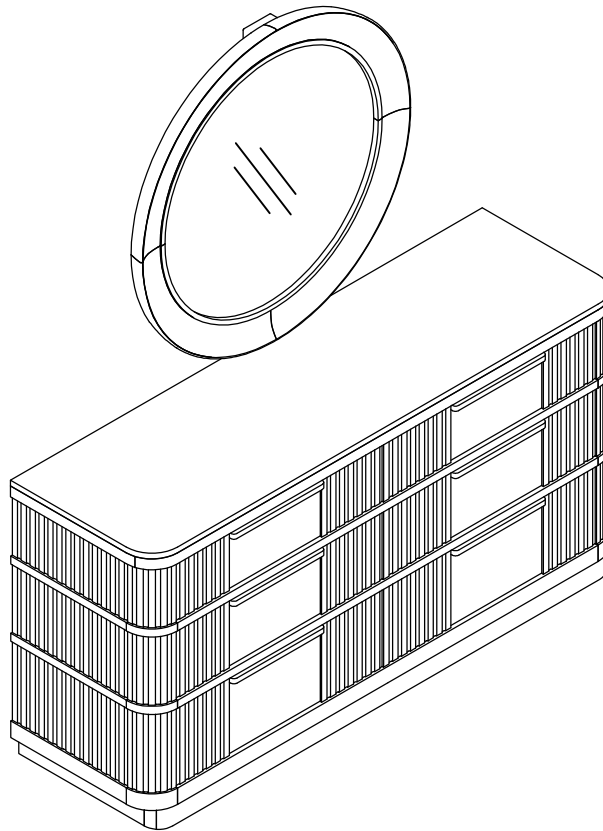
This product is manufactured by PULA for **Rooms To Go**

*** Caution: Please read all instructions carefully before starting the assembly process. These parts are cumbersome and heavy. Therefore, two people are recommended in order to prevent personal injury and ensure the parts are not damaged during the assembly.
*** Remark: DO NOT fully tighten all bolts until assembly is completed.

Code	PARTS LIST :		
1	Mirror		1Pc
2	Mirror Support		1Pc
3	Drawer Dresser (Sold Separately)		1Pc

Code	HARDWARE LIST		
A		Tipping Restraint	1Set
B		Allen Key 4mm	1Pc
Tool Required (not provided)			
		Phillip Screwdriver	

STEP 1: Attached the Mirror (1) to the dresser (3) with mirror support (2). Use the Allen Key (A) from the Hardware package to tighten the allen bolts to the mirror. Allen bolt is already attached to the mirror support.
STEP 2: Assembly is now complete.



Hardware Pack Location (S): 3372-110 Mirror - SKU# 32233722



ASSEMBLY INSTRUCTION

PULA: 3372-100 -DRESSER
PULA: 3372-110 -MIRROR

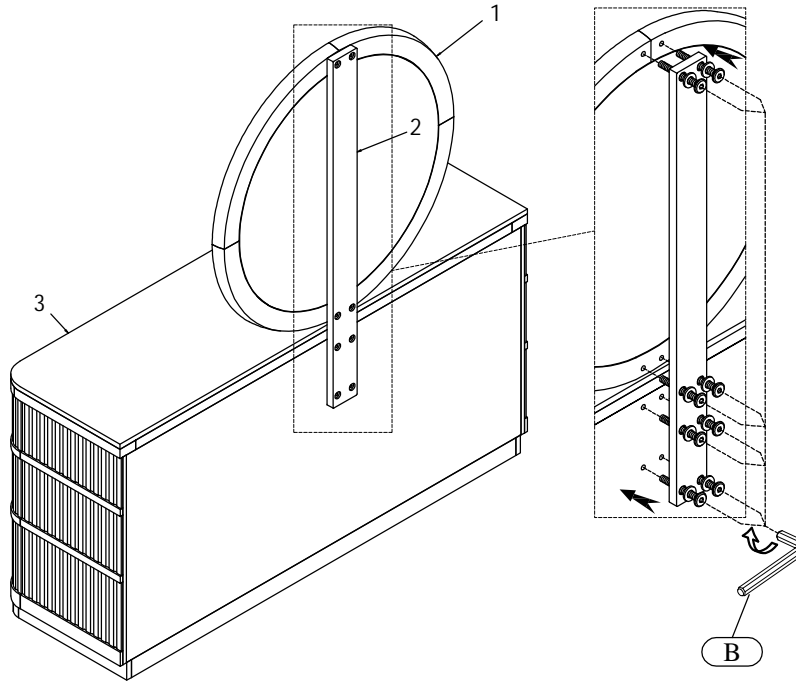
SKU: 32133720
SKU: 32233722

Version#1 - 05/15/2024

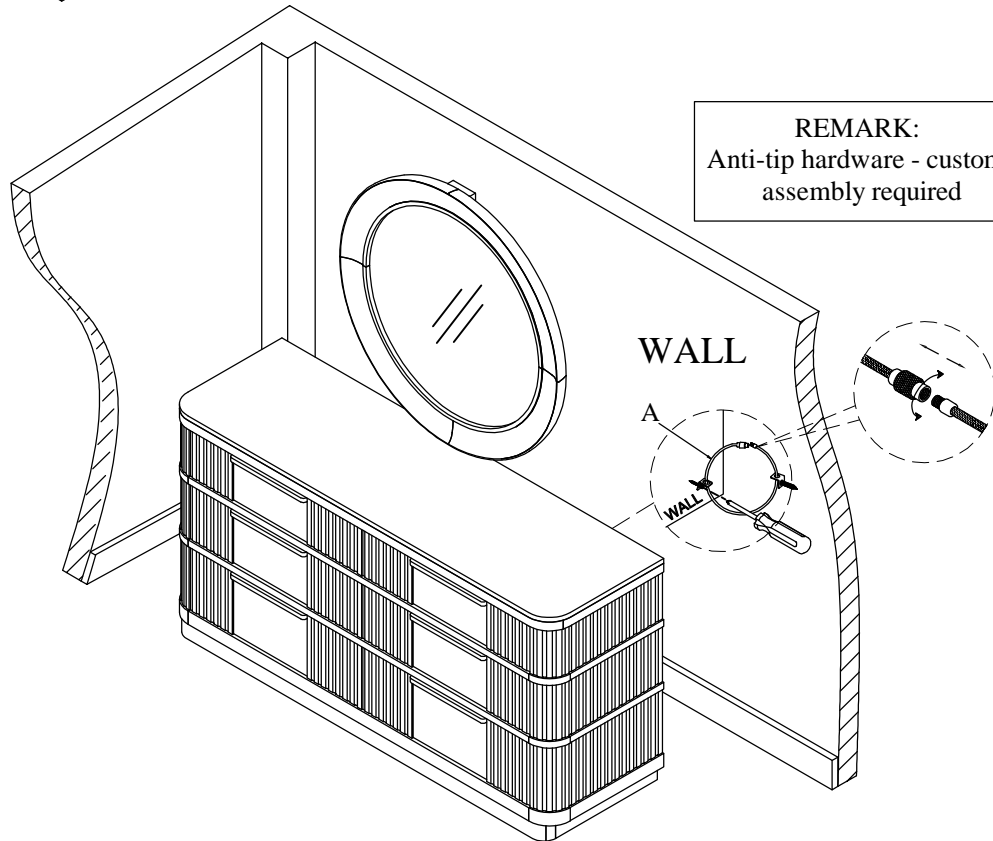
This product is manufactured by PULA for **Rooms To Go**

*** Caution: Please read all instructions carefully before starting the assembly process. These parts are cumbersome and heavy. Therefore, two people are recommended in order to prevent personal injury and ensure the parts are not damaged during the assembly.
*** Remark: DO NOT fully tighten all bolts until assembly is completed.

STEP 1



STEP 2



REMARK:
Anti-tip hardware - customer assembly required

Hardware Pack Location (S): 3372-110 Mirror - SKU# 32233722