









Assembly Instruction

HMIS 3409-50 DRESSER
HMIS 3409-55 MIRROR

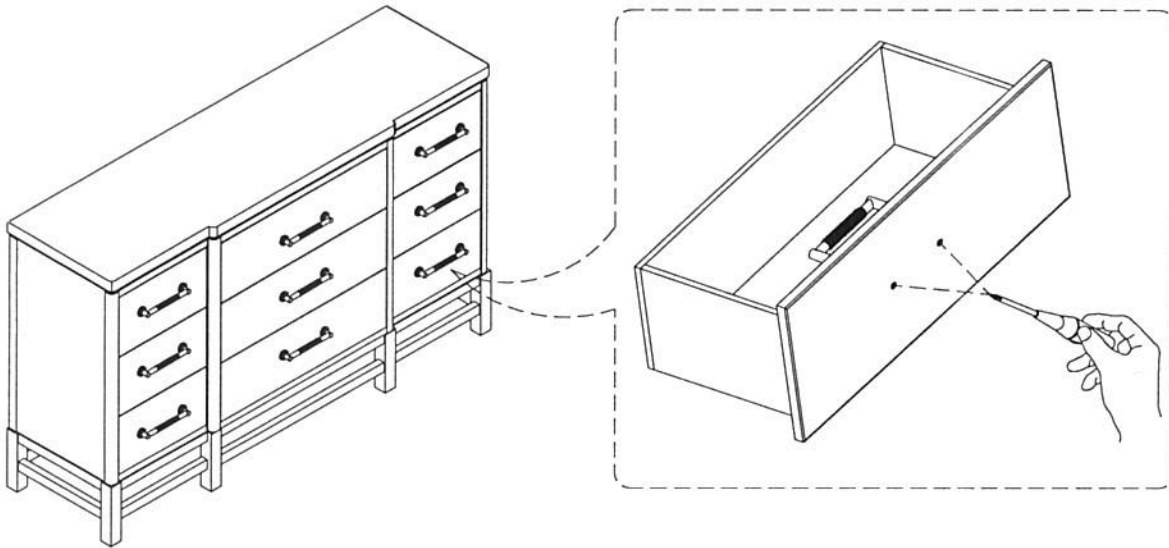
SKU # 32134099
32234091

***Caution: Please read all instructions carefully before starting the assembly process. These parts are cumbersome and heavy. Therefore, two people are recommended in order to prevent personal injury and insure the parts are not damaged during the assembly

Code	Hardware List		
A	Dresser		1Pc
B	Mirror		1Pc
C	Bracket		2Pcs

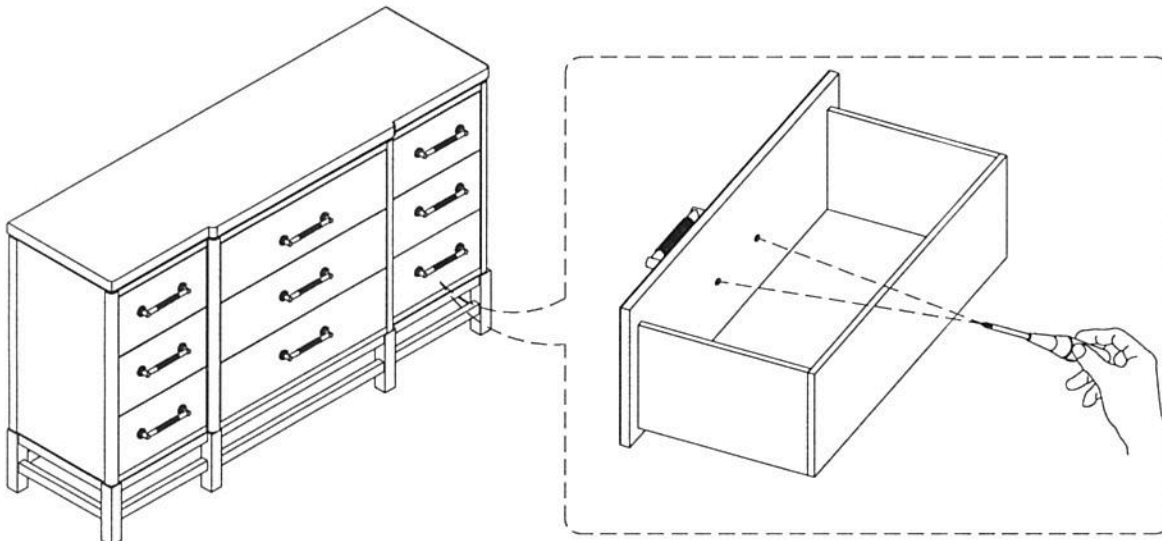
Step	Code	Hardware List		
3	D	Allen Bolt - Ø1/4x16x38mm		8Pcs
		Flat washer - Ø1/4x19x1.5mm		8Pcs
		Lock washer - Ø1/4		8Pcs
4	E	Allen Key - 4mm		1Pc
		Screw - #8x3x50mm		1Pc
4	F	Screw - #8x3x15mm		1Pc
		Metal Anchor - 1.2x15x15mm		2Pcs
		Restrain Strap - 5x7x250mm		1Pc
		Fisher - Ø1/4x40mm		1Pc

STEP 1



Use a screwdriver to remove the two bolts.

STEP 2



Bring the handle to the outside and then use a screwdriver to lock the two bolts.



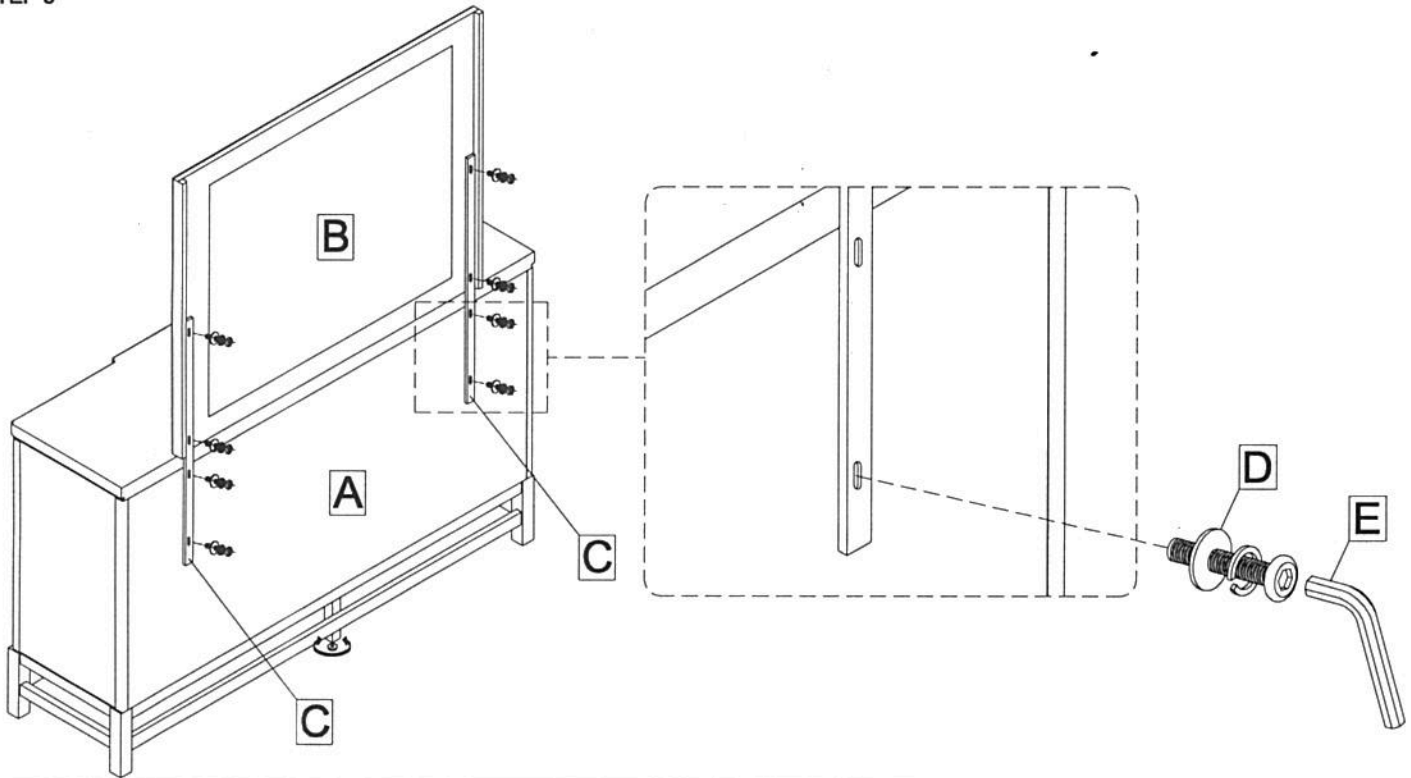
Assembly Instruction

HMIS 3409-50 DRESSER
HMIS 3409-55 MIRROR

SKU # 32134099
32234091

***Caution: Please read all instructions carefully before starting the assembly process. These parts are cumbersome and heavy. Therefore, two people are recommended in order to prevent personal injury and insure the parts are not damaged during the assembly

STEP 3



Install the Mirror (B) onto the Dresser (A) with 2 Brackets (C) from the back.

STEP 4

