



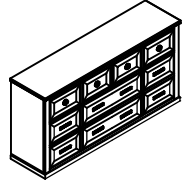
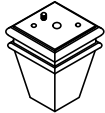
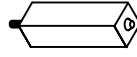

# Assembly Instructions

NCHF B211-050N DRESSER - SKU# 32152124

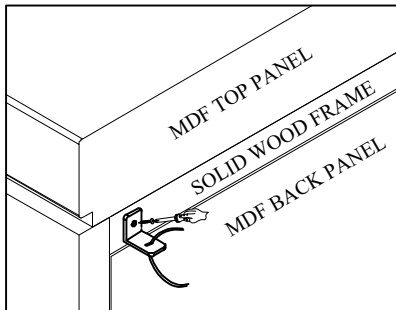
Manufactured by NCHF for Rooms To Go

| Step | Code | Hardware                 | Q'TY  |
|------|------|--------------------------|-------|
|      | A    | Allen Key                | 1 Pc  |
| 1    | B    | Bolt 5/16"-18 x 3-3/4"   | 4 Pcs |
|      |      | Spring Washer 5/16" dia. |       |
|      |      | Flat Washer 5/16" dia.   |       |

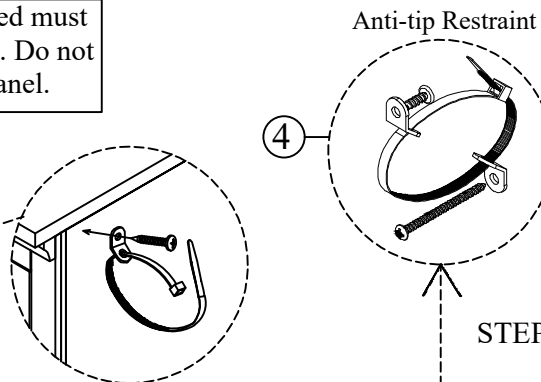
## PARTS LIST

|  |
|--|
|   |
| 1. Dresser - 1 Pc  |
|   |
| 2. Foot- 4 Pcs   |
|   |
| 3. Support Leg - 1Pc   |
|  |
| 4. Anti-tip Restraint - 1 Pc   |

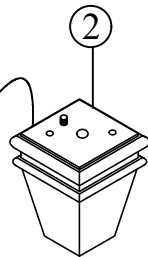
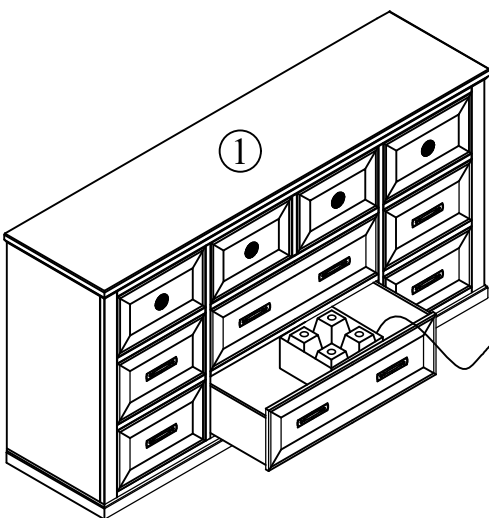
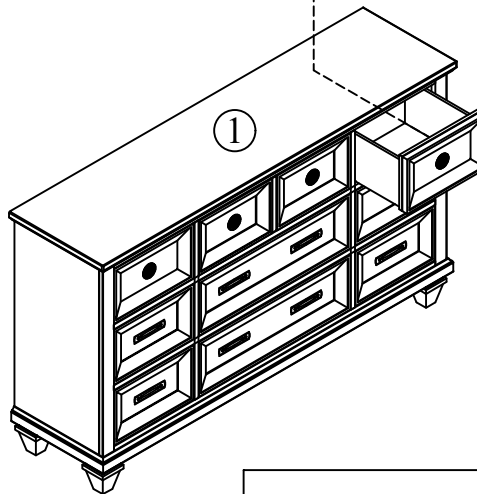
\* Remarks: Tipping Restraint kit provided must be install to solid woodback frame only. Do not install to mdf top panel or MDF back panel.



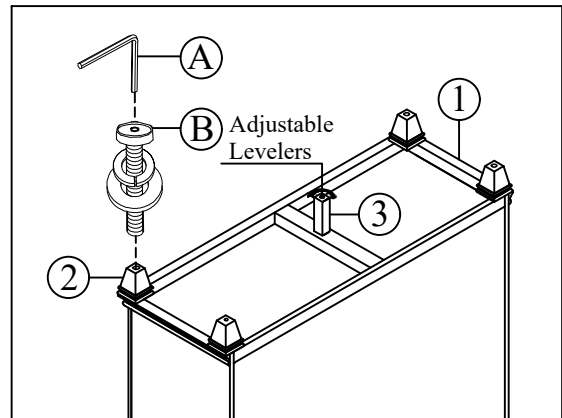
Tool Required: Philip screwdriver  
(not provided)



STEP2



STEP1



HARDWARE PACK LOCATION(S):

NCHF B211-050N DRESSER - SKU# 32152124