



# Assembly Instructions

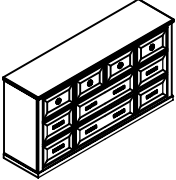
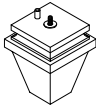
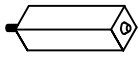
NCHF 5217-1DR DRESSER - SKU# 32152174

Manufactured by NCHF for Rooms To Go

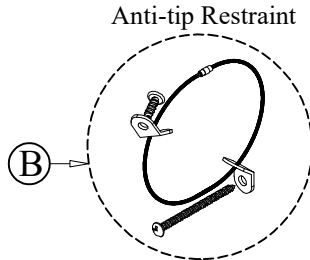
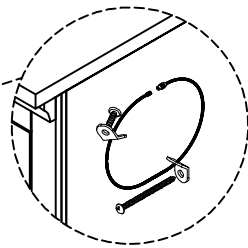
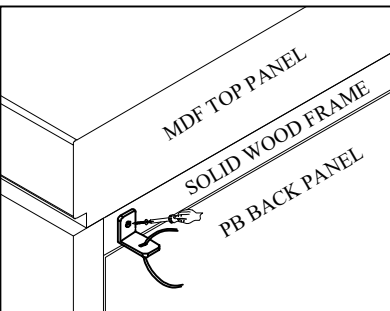
VERSION 1-2024/03/19

Step	Code	Hardware	Q'TY
1	A	4MM Allen Key	1 Pc
2	B	Anti-tip Restraint	1 Set


## PARTS LIST

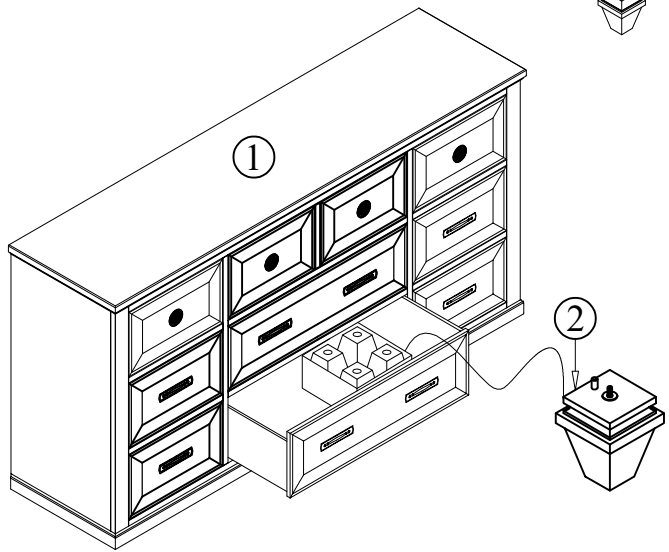
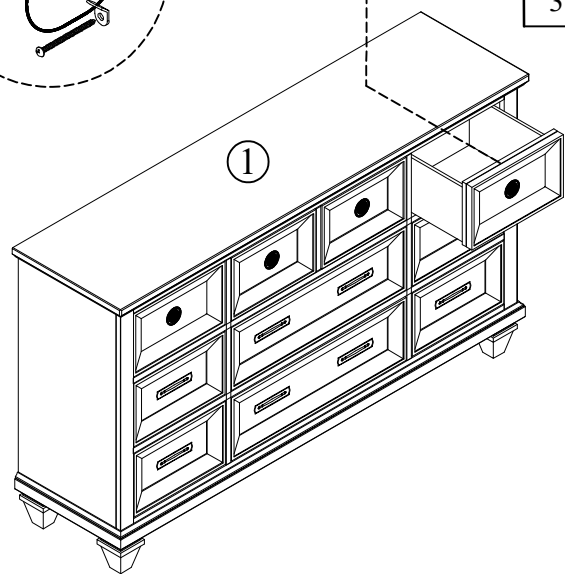
	1. Dresser - 1 Pc
	2. Foot- 4 Pcs
	3. Support Leg - 1 Pc

**\*Remarks: Anti-tip hardware customer assembly required.** Tipping Restraint kit provided must be installed to solid woodback frame only. Do not install to MDF top panel or PB back panel.

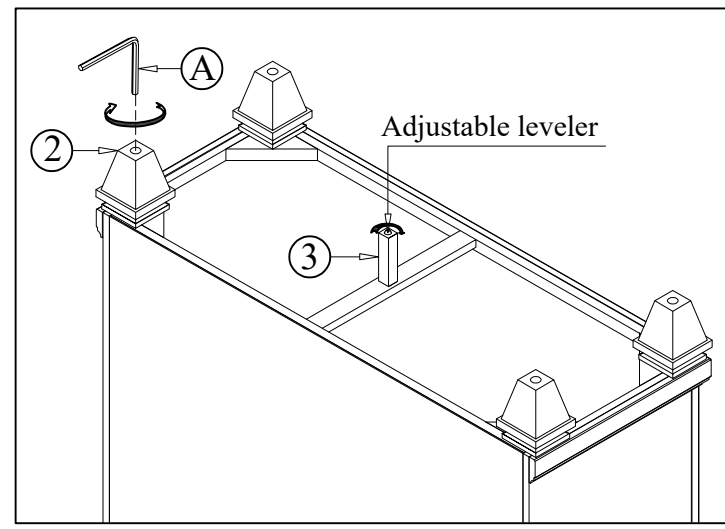


STEP 2

TOOL REQUIRED (NOT PROVIDED)	
Description	Sketch
Phillips Screwdriver	



STEP 1



HARDWARE PACK LOCATION(S):  
NCHF 5217-1DR DRESSER - SKU# 32152174