

**ROOMS
TO GO**

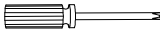
LWYE ASSEMBLY INSTRUCTIONS

MODEL : 5218

DRESSER

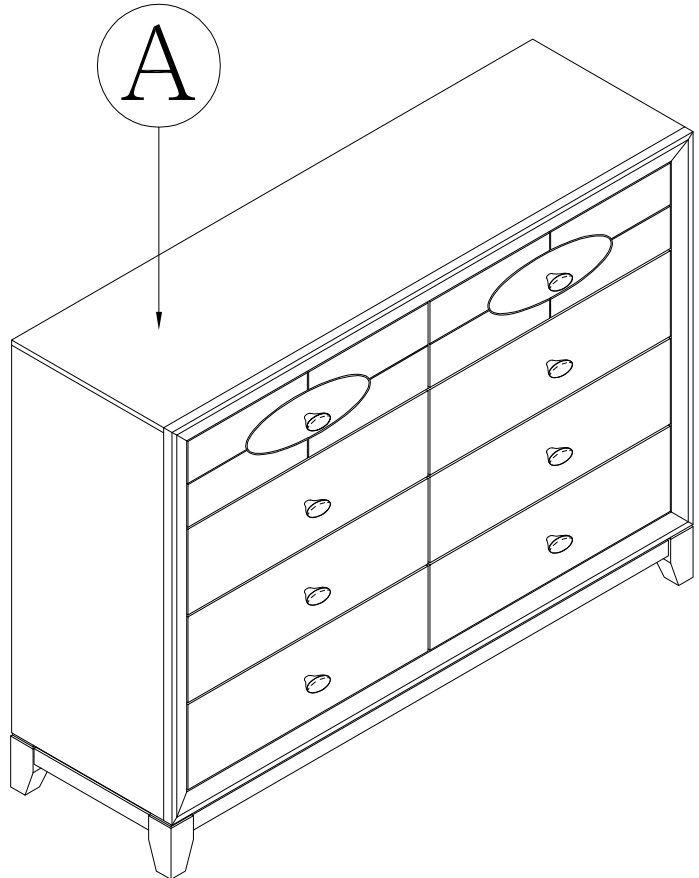
5218 - 1 SKU # 32152186

Thank you for purchasing this quality product. Be sure to check all packing material carefully for small parts. Which may have come loose inside the carton during shipment. Identify and count all parts and compare with the hardware list below :

	No.	Picture	Description	Dimension	Qty
Hardware List	①		Screw Driver (*)		1 Pc

	No.	Description	Qty
Parts List	A	Dresser	1 Pc

Notes : (*) The manufacturer does NOT provided Item 1.



Serious or fatal crushing injuries can occur from furniture tip-over. To help prevent tip-over :

- *Place heaviest items in the lowest drawers.
- *Unless specifically designed to accommodate, do not set TVs or other heavy object on the top of this product.
- *Never allow children to climb or hang on drawers, doors, or shelves.
- *Never open more than one drawer at a time.
(OR)
- *Do not defeat or remove the drawer interlock system.

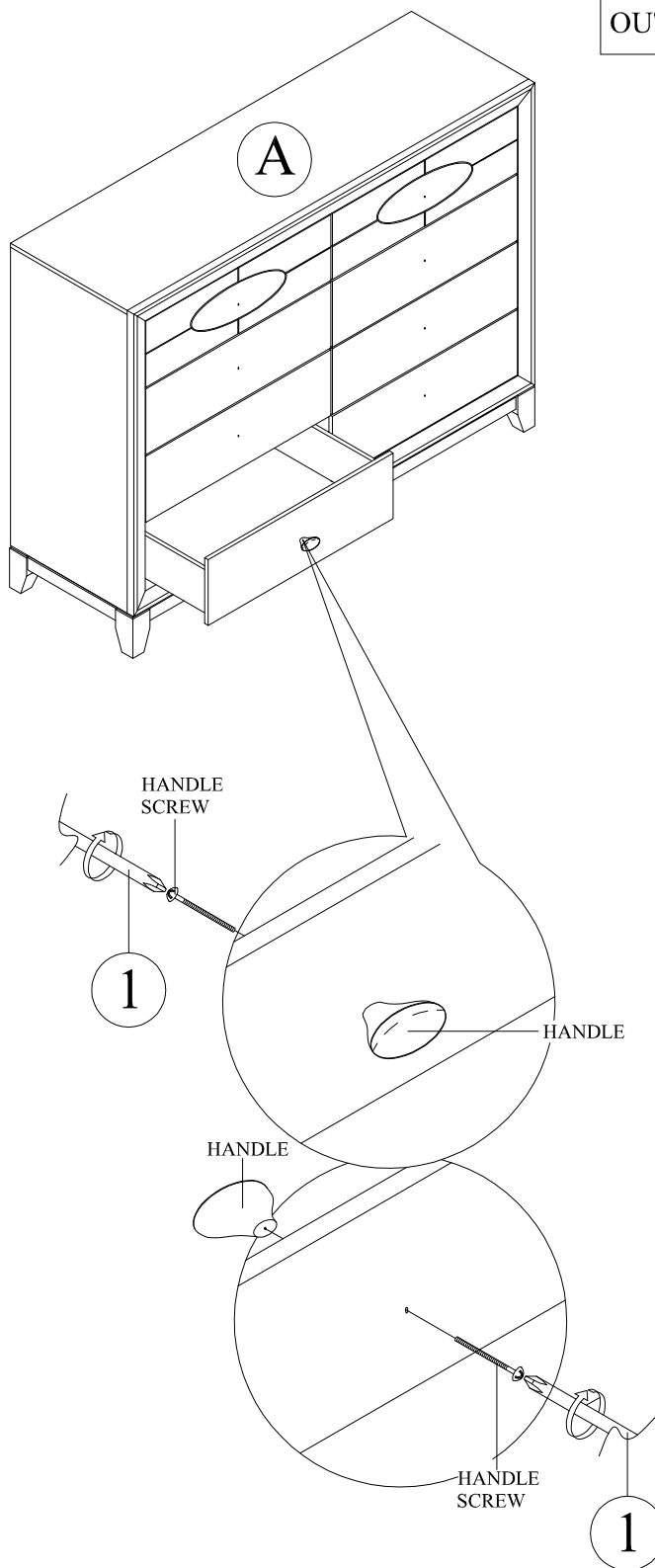
Use of tip-over restraints may only reduce, but not eliminate the risk of tip over.

Assembly step

STEP 1

To assemble handle to drawer

TO RE - ASSEMBLE HANDLE
FROM INSIDE DRAWER TO
OUTSIDE DRAWER



NOTE :