



# ASSEMBLY INSTRUCTIONS

LEGC 5413-1200 DRESSER - SKU: 32154130

LEGC 5413-0100 MIRROR - SKU: 32254132

Manufactured by LEGC for ROOMS TO GO

Version 1: 15.10.2025

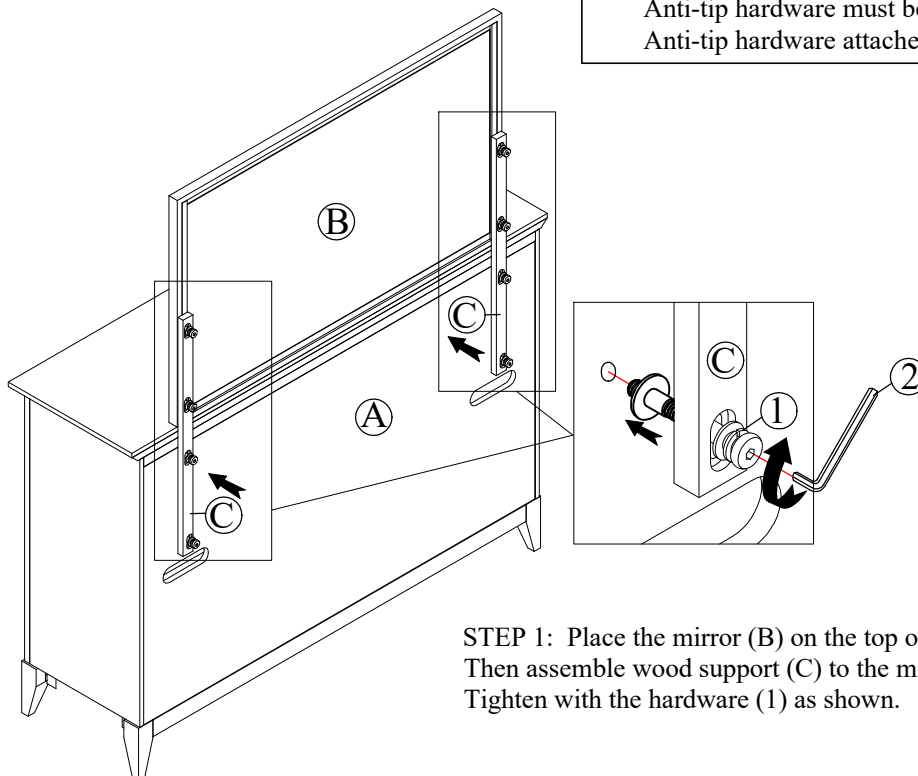
**Caution:** Please read the instructions thoroughly before unpacking and assembly. Sharp, exposed staple tips can cause injury. Therefore, for your protection, please remove any exposed staples used in the packaging.

1. We recommend that you should assemble this product with the assistance of another person; this will make assembly easier, and will help eliminate damage to the product or injury to persons during assembly.
2. Be sure to check all packing materials carefully for small parts that may have come loose inside the carton during shipment.
3. Please do not over tighten screws or bolts.
4. Please put all parts on a non-abrasive floor before assembly, and follow the assembly steps to assemble your newly purchased product correctly and efficiently.

NO.	PART LIST	Q'TY
A	DRESSER <i>(sold separately)</i>	1 Pc
B	MIRROR	1 Pc
C	WOOD SUPPORT	2 Pcs

NO.	HARDWARE LIST	Q'TY
<i>Pre-installed 1</i>	Bolt 5/16"-18*1 1/2" <i>Pre-installed</i>	8 Pcs
	Spring Washer 5/16" <i>Pre-installed</i>	8 Pcs
	Flat Washer 5/16"*19mm <i>Pre-installed</i>	8 Pcs
	Threaded Washer 5/16"-18*19mm <i>Pre-installed</i>	8 Pcs
2	Allen Key 4mm	1 Pc
3	Tipping Restraint	1 Set

★ Remark:  
Anti-tip hardware must be installed by customer.  
Anti-tip hardware attached to the drawer of the dresser.



STEP 1: Place the mirror (B) on the top of dresser (A).  
Then assemble wood support (C) to the mirror (B) and the dresser (A).  
Tighten with the hardware (1) as shown.



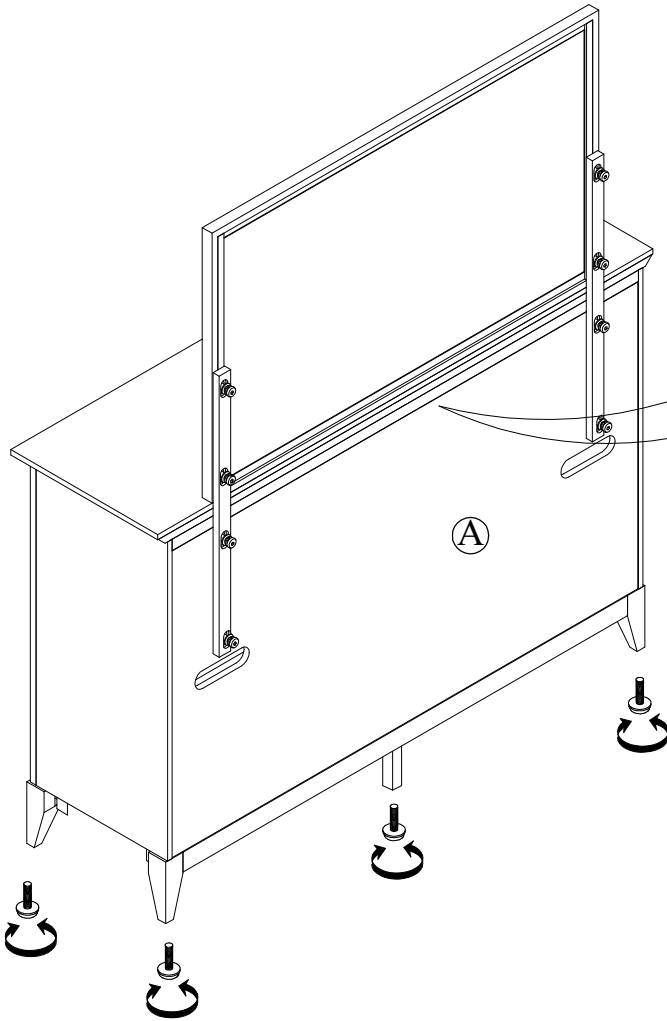
Manufactured by LEGC for ROOMS TO GO

# ASSEMBLY INSTRUCTIONS

LEGC 5413-1200 DRESSER - SKU: 32154130

LEGC 5413-0100 MIRROR - SKU: 32254132

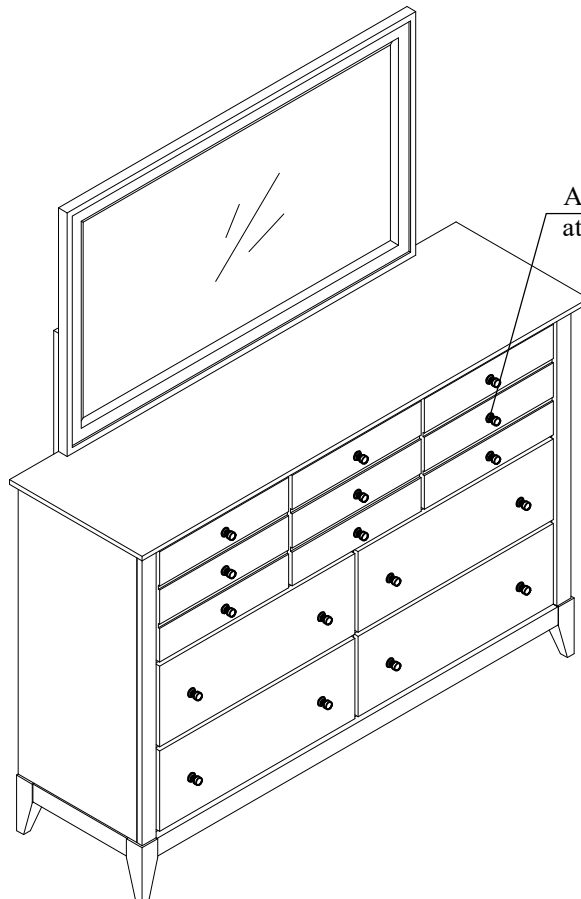
Version 1: 15.10.2025



STEP 2: Install Tip Restraint, follow assembly instructions with the Tip Restraint.

**LEVELER (x5)**

The levelers are pre-assembled, adjust leveler to firmly touch the floor.



Anti-tip hardware attached in this drawer.