

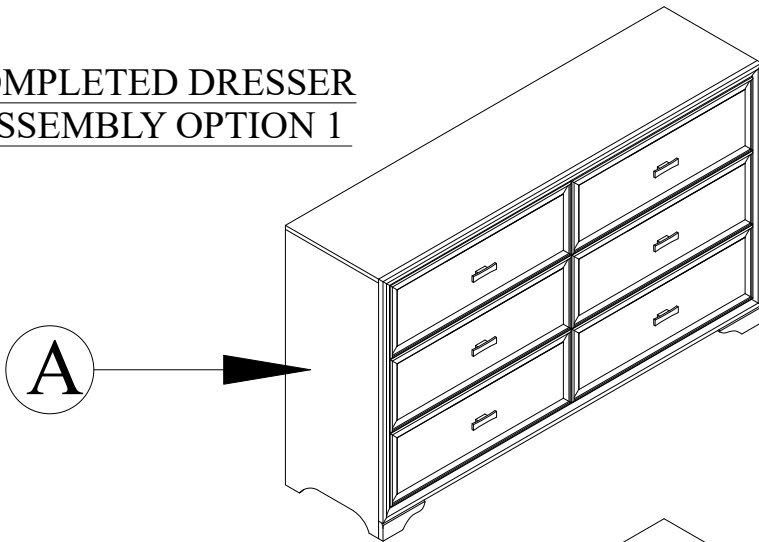
ROOMS TO GO **LWYE ASSEMBLY INSTRUCTIONS** MODEL : 5540 / 5542 / 5544
DRESSER 5540 / 5542 / 5544-1 - SKU # 32155409 / 32155423 / 32155447

Thank you for purchasing this quality product. Be sure to check all packing material carefully for small parts. Which may have come loose inside the carton during shipment. Identify and count all parts and compare with the hardware list below :

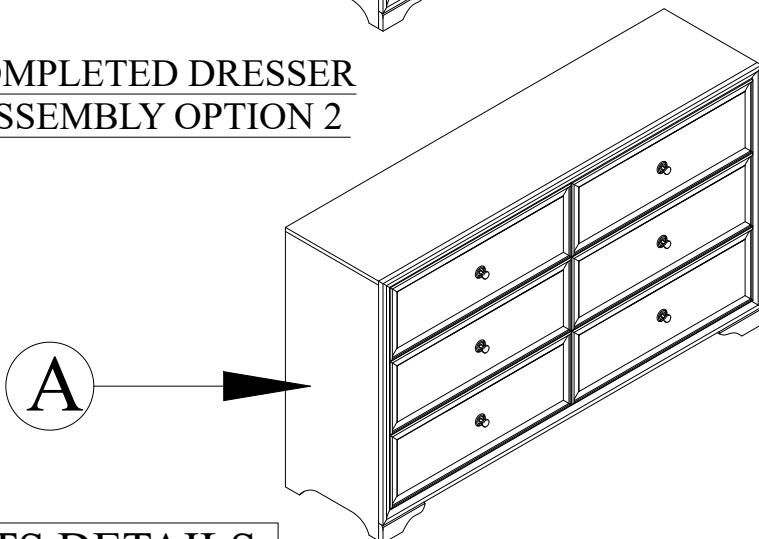
	No.	Picture	Description	Dimension	Qty
Hardware List	①		Knob (Option 2)		6 Pcs
	②		Handle Screw	M4 x 28mm	6 Pcs
	③		Anti Tipping Kit		1 Set
	④		Screw Driver (*)		1 Pc
Parts List	No.	Description			Qty
	A	Dresser			1 Pc

Notes : (*) The manufacturer does NOT provided Item 4.

COMPLETED DRESSER
ASSEMBLY OPTION 1



COMPLETED DRESSER
ASSEMBLY OPTION 2



PARTS DETAILS

Serious or fatal crushing injuries can occur from furniture tip-over. To help prevent tip-over :

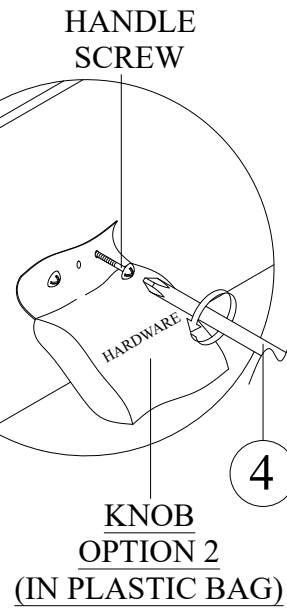
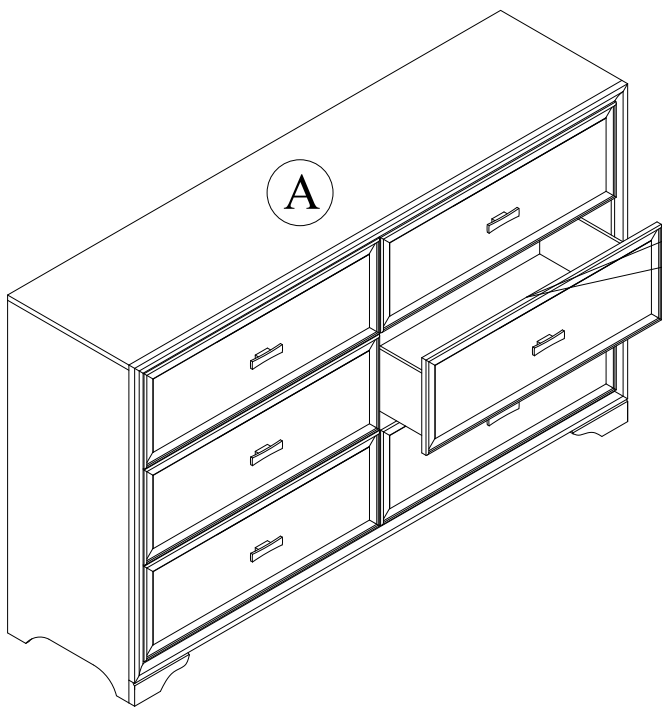
- *Place heaviest items in the lowest drawers.
- *Unless specifically designed to accommodate, do not set TVs or other heavy object on the top of this product.
- *Never allow children to climb or hang on drawers, doors, or shelves.
- *Never open more than one drawer at a time. (OR)
- *Do not defeat or remove the drawer interlock system.

Use of tip-over restraints may only reduce, but not eliminate the risk of tip over.

Assembly step

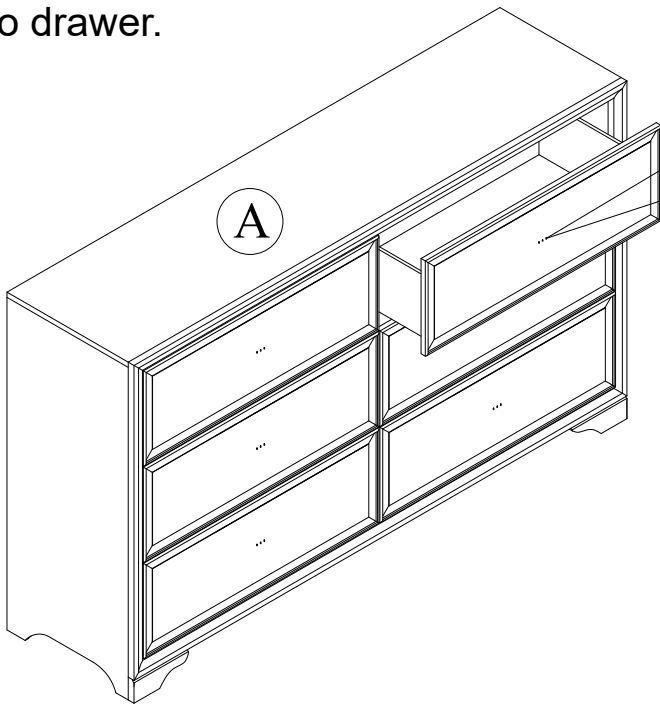
STEP 1

To exchange handle to knob. Loosen handle screw at plastic bag.

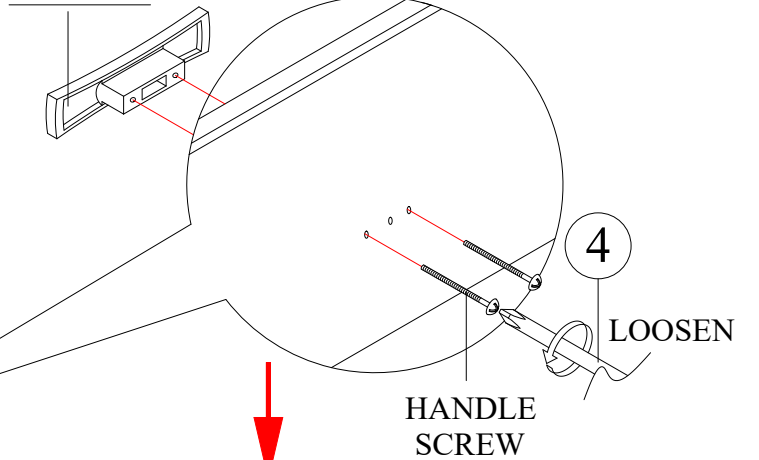


STEP 2

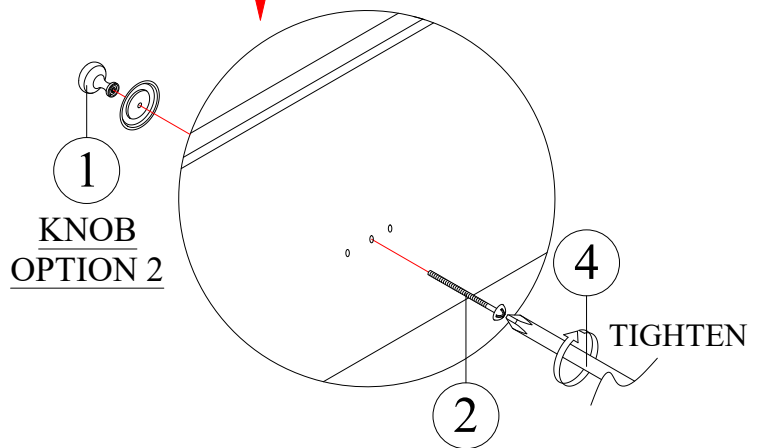
Loosen existing handle. Attach knob to drawer.



HANDLE
OPTION 1



1
KNOB
OPTION 2



* Repeat same step to another drawer.

IMPORTANT : Keep the handle screw for future use.

NOTE :