

ASSEMBLY INSTRUCTIONS

RCKF 5611-260 : DRESSER # SKU 32156110





RCKF 5611-040 : MIRROR # SKU 32256112

RCKF 5620-260 : DRESSER # SKU 32156209

RCKF 5620-040 : MIRROR # SKU 32256201

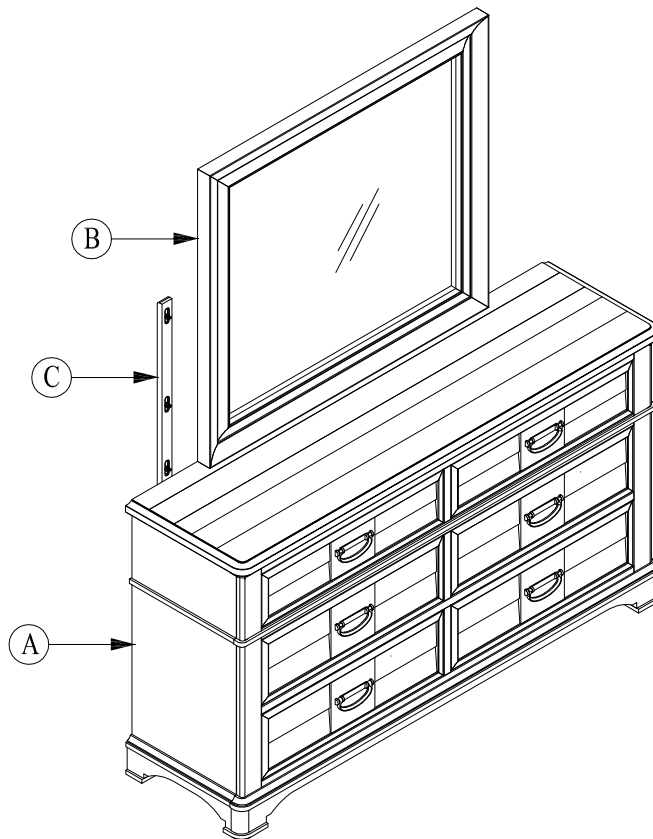
Thank you for purchasing this quality product. Be sure to check all packing material carefully for small parts, which may have come loose inside the carton during shipment. Identify and count all parts and compare with the Hardware List below.

Part List	No.	Description	Qty
	A	Dresser	1 Pc
	B	Mirror	1 Pc
	C	Mirror Supports	2 Pcs

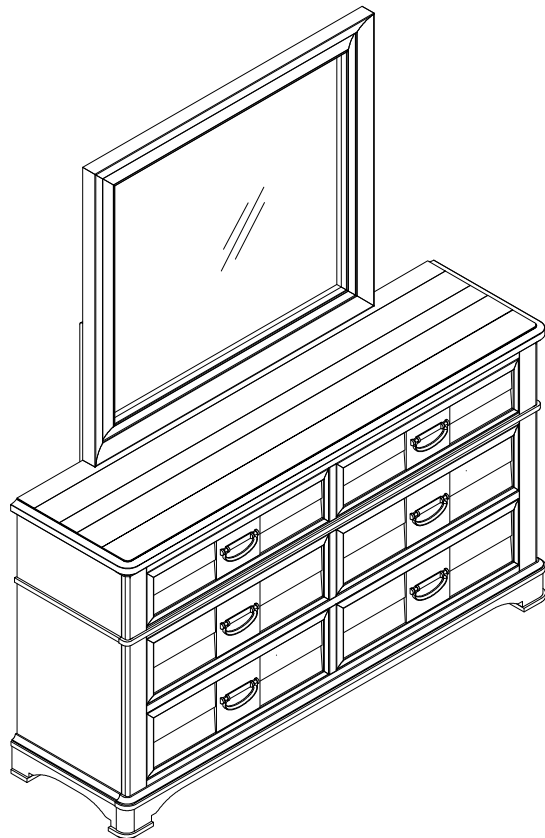
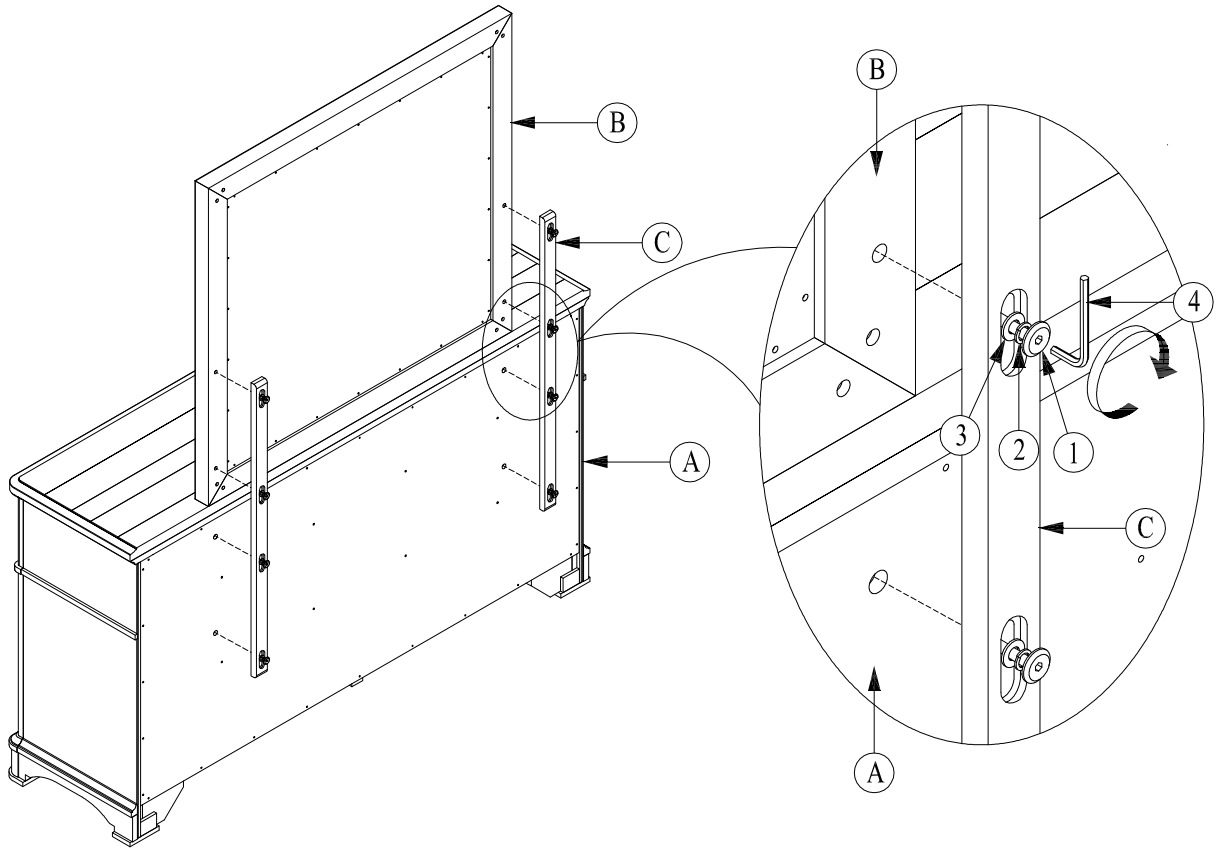
Hardware List	No.	Picture	Description	Dimension	Qty
	1		Bolt w/stoppers	5/16" x 18 x 1 3/8"	8 Pcs
	2		Lock Washers	5/16"	8 Pcs
	3		Flat Washers	Ø8 x Ø18 x 1 mm	8 Pcs
	4		Allen Key	5 x 70 mm	1 Pc

PART DETAIL

Note : Bolt + Lock Washer + Flat Washer already pre assembly at factory



STEP



ASSEMBLY COMPLETE