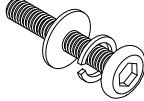

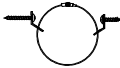

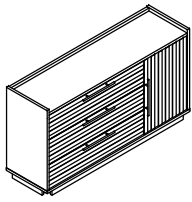
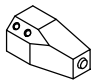
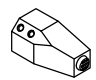
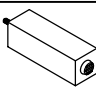
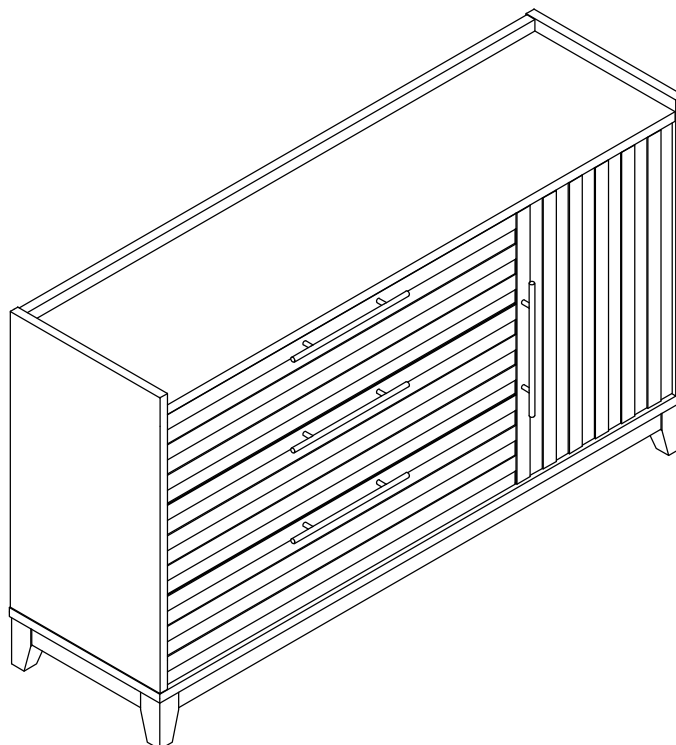


WARNING: To avoid alignment issue, please don't tighten the screws unless all leg are adjusted at the same level.

HARDWARE LIST			QTY
A	Allen bolt Ø1/4"x20x2"		8 pcs
	Washer Ø1/4"xØ5/8"x1/16"		
	Spring washer Ø1/4"xØ7/16"x1/16"		
B	L Wrench 1/4"		1 pc
C	Furniture tipping restraint		1 set
TOOL REQUIRED (NOT PROVIDED): PHILLIPS SCREWDRIVER			

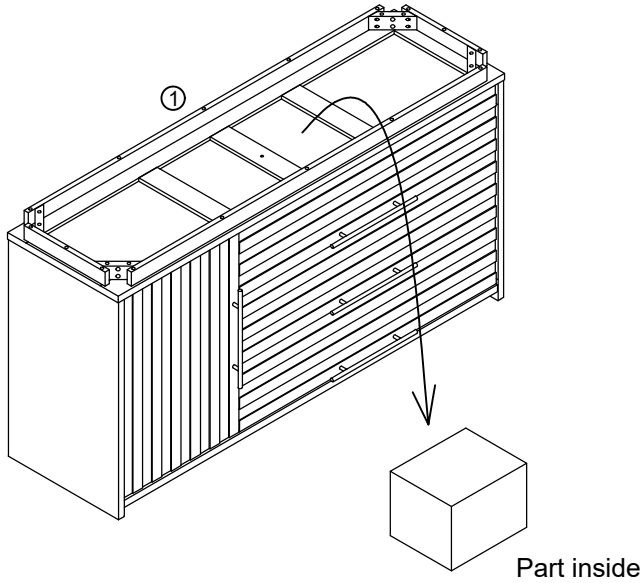
PART LIST			QTY
1	DRESSER		1 pc
2	BACK LEG		2 pcs
3	FRONT LEG		2 pcs
4	LEG MIDDLE		1 pc



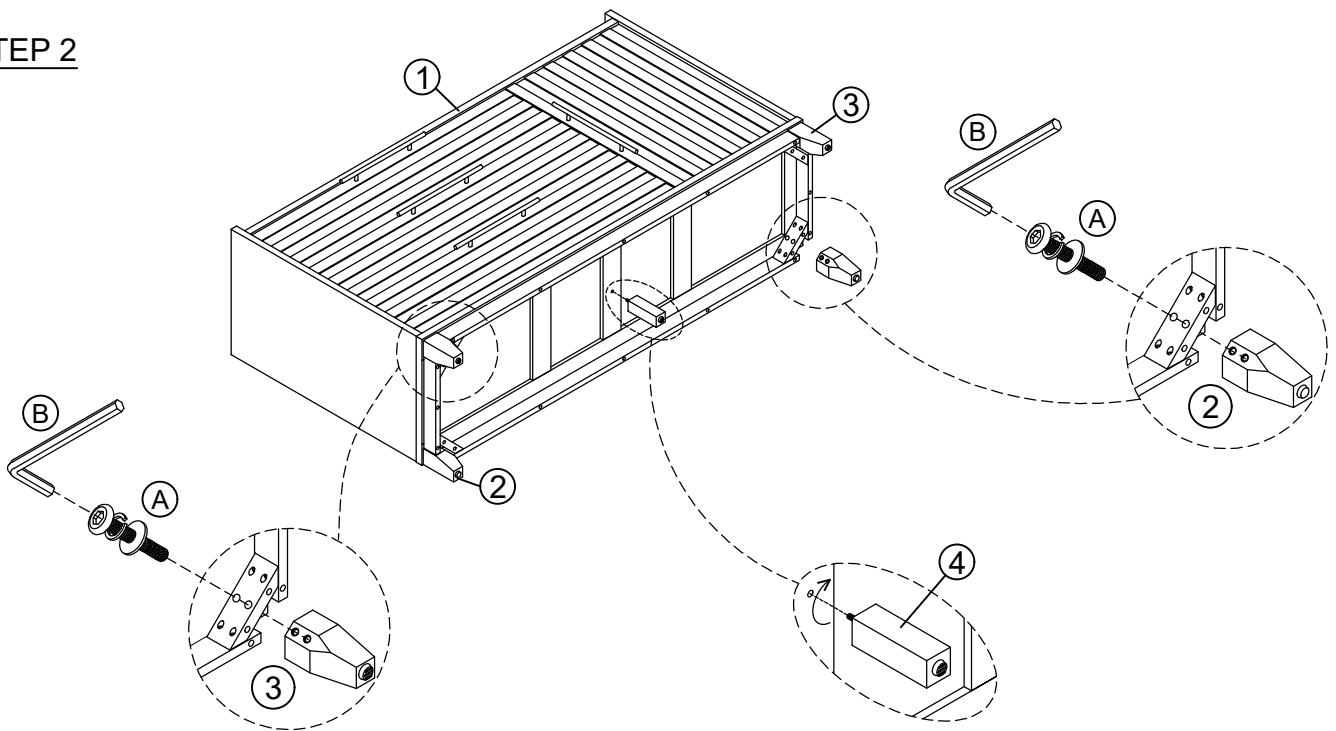
ASSEMBLY COMPLETED

***Caution: Please read all instructions carefully before starting the assembly process. These parts are cumbersome and heavy. Therefore, two people are recommended in order to prevent personal injury and ensure the parts are not damaged during the assembly.

STEP 1



STEP 2



***Caution: Please read all instructions carefully before starting the assembly process. These parts are cumbersome and heavy. Therefore, two people are recommended in order to prevent personal injury and ensure the parts are not damaged during the assembly.

STEP 3

