

ASSEMBLY INSTRUCTIONS








ITCO

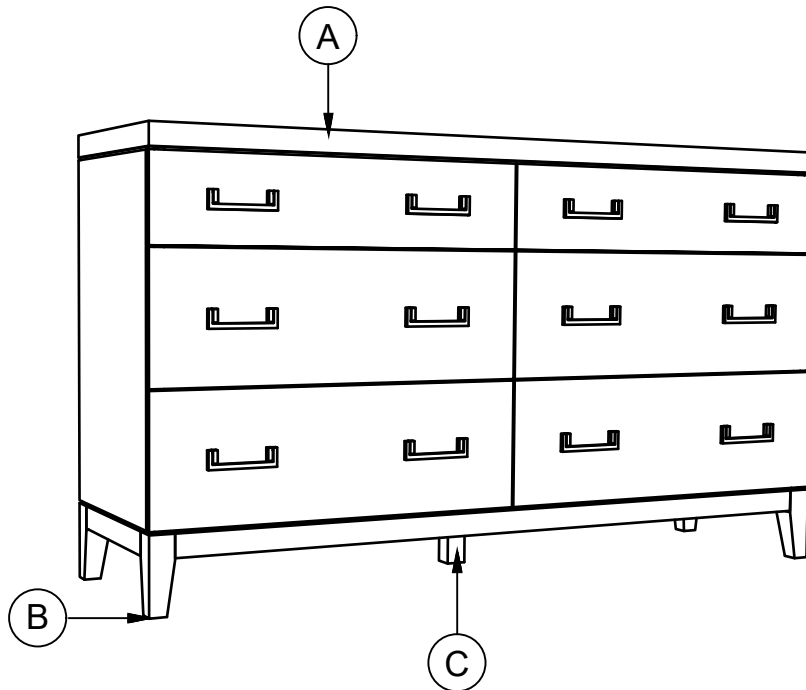
ITEM: 6505-DR / PA-BR-6506-NMG-C

DESCRIPTION: Dresser

SKU: 32165056

Thank you for purchasing this quality product. Be sure to check all packing material for small parts which may have come loose inside carton during shipment. Identify and count all parts and compare with the hardware list as below:

	No.	Picture	Description	Dimension	Qty
Hardware List	①		Hex Nut	5/16" x 18T x 12mm	8 Pcs
	②		Spring Washer	5/16" x 13mm	8 Pcs
	③		Flat Washer	5/16" x 22mm	8 Pcs
	④		Wrench		1 Pc
	⑤		Furniture tipping restraint		1 Set
Parts List	No.	Description			Qty
	A	Cabinet			1 Pc
	B	Cabinet Legs			4 Pcs
	C	Cabinet Center Support Leg			1 Pc

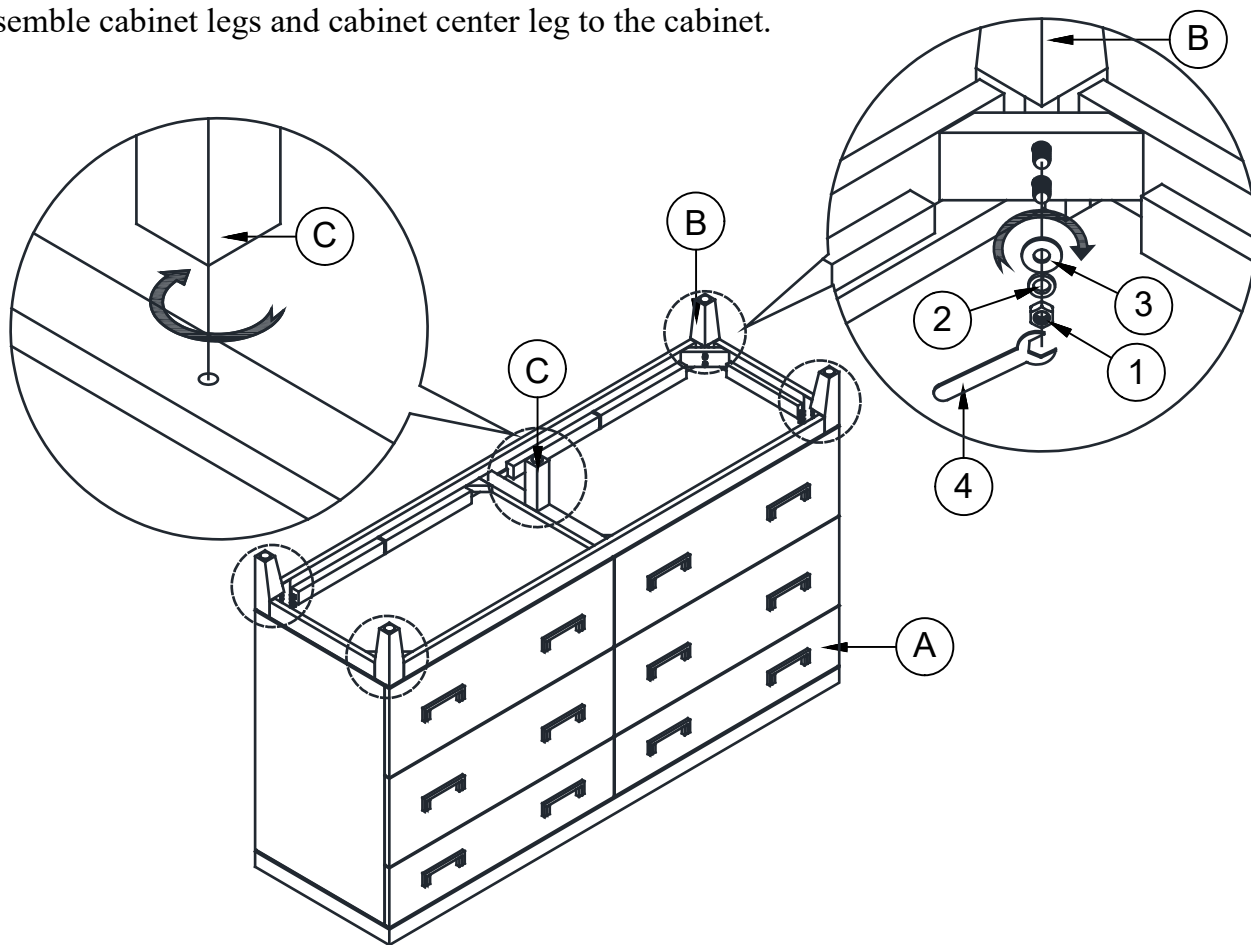


PARTS DETAIL

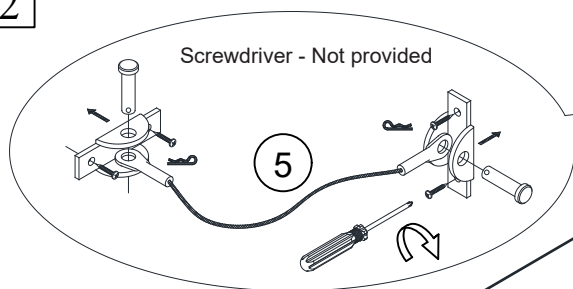
Assembly steps

STEP 1

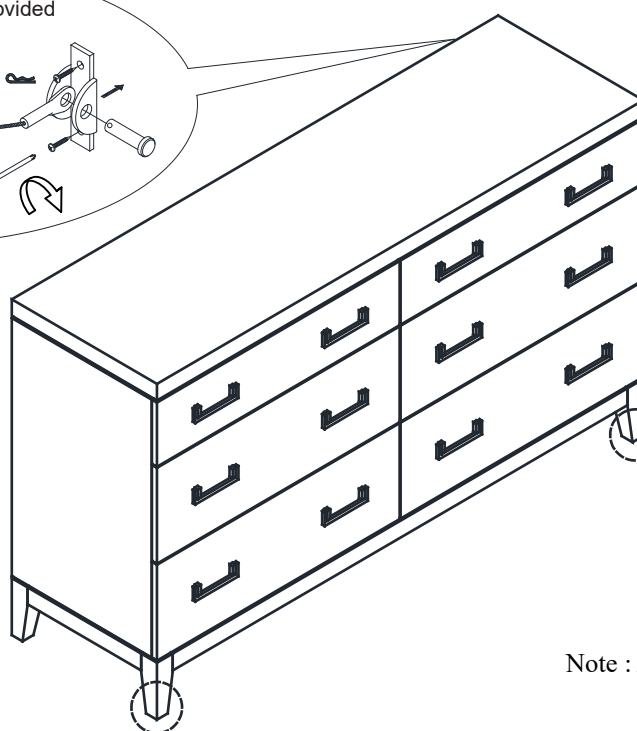
Assemble cabinet legs and cabinet center leg to the cabinet.



STEP 2



"SUGGEST POSITIONING THE TIPPING STRAP AS CLOSE AS POSSIBLE TO THE TOP CENTER BACK OF THE CASE"
"REFER TO TIPPING KIT MANUFACTURER'S INSTRUCTIONS FOR ATTACHMENT"



Note : Adjust leveler to stabilize

NOTE :

Make sure this product assemble on the flat and soft surface. Follow the instructions. Tighten all the nuts, bolts or screws firmly and make sure this product does not wobble before use.