

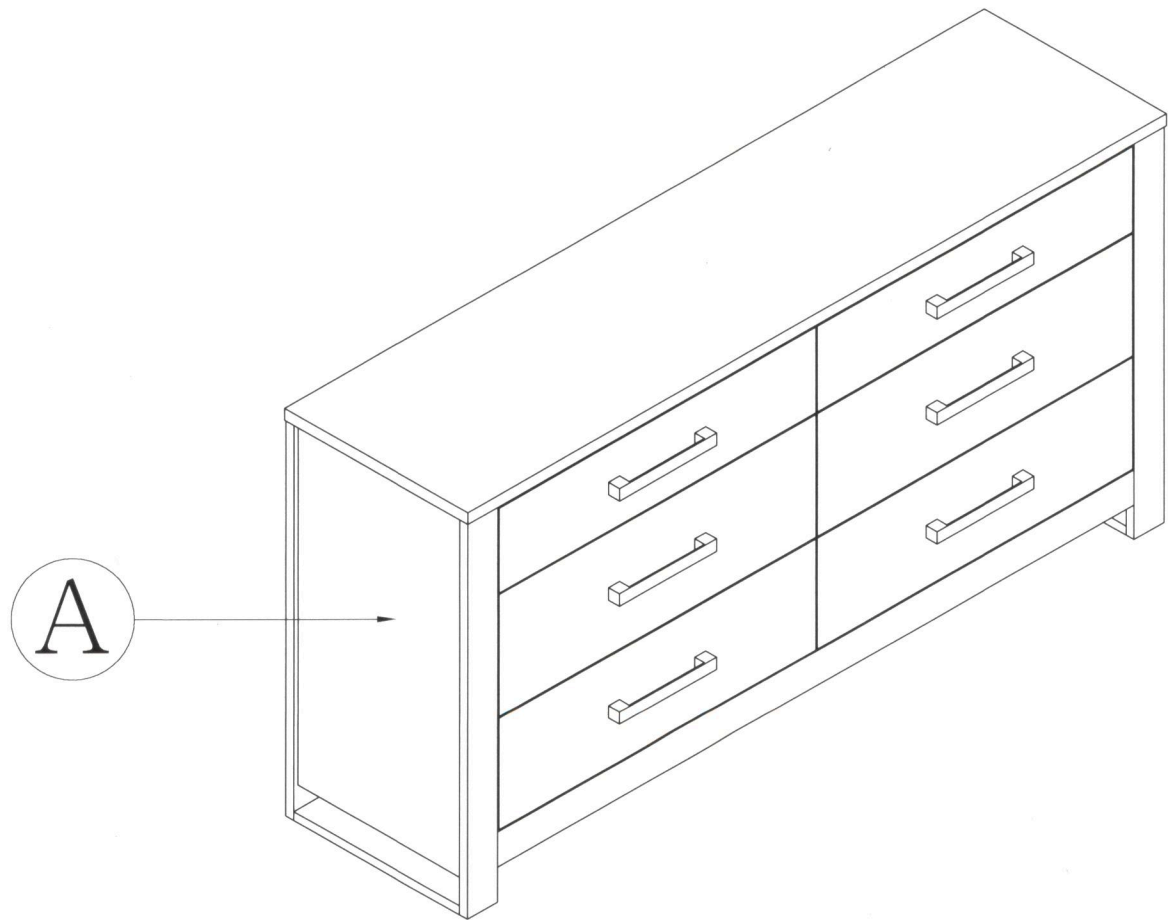


Thank you for purchasing this quality product. Be sure to check all packing material carefully for small parts. Which may have come loose inside the carton during shipment. Identify and count all parts and compare with the hardware list below :

	No.	Picture	Description	Dimension	Qty
Hardware List	①		Anti Tipping Kit		1 Set
	②		Screw Driver (*)		1 Pc
Parts List	No.	Description			Qty
	A	Dresser			1 Pc

(*) The manufacturer does NOT provided Item 2.

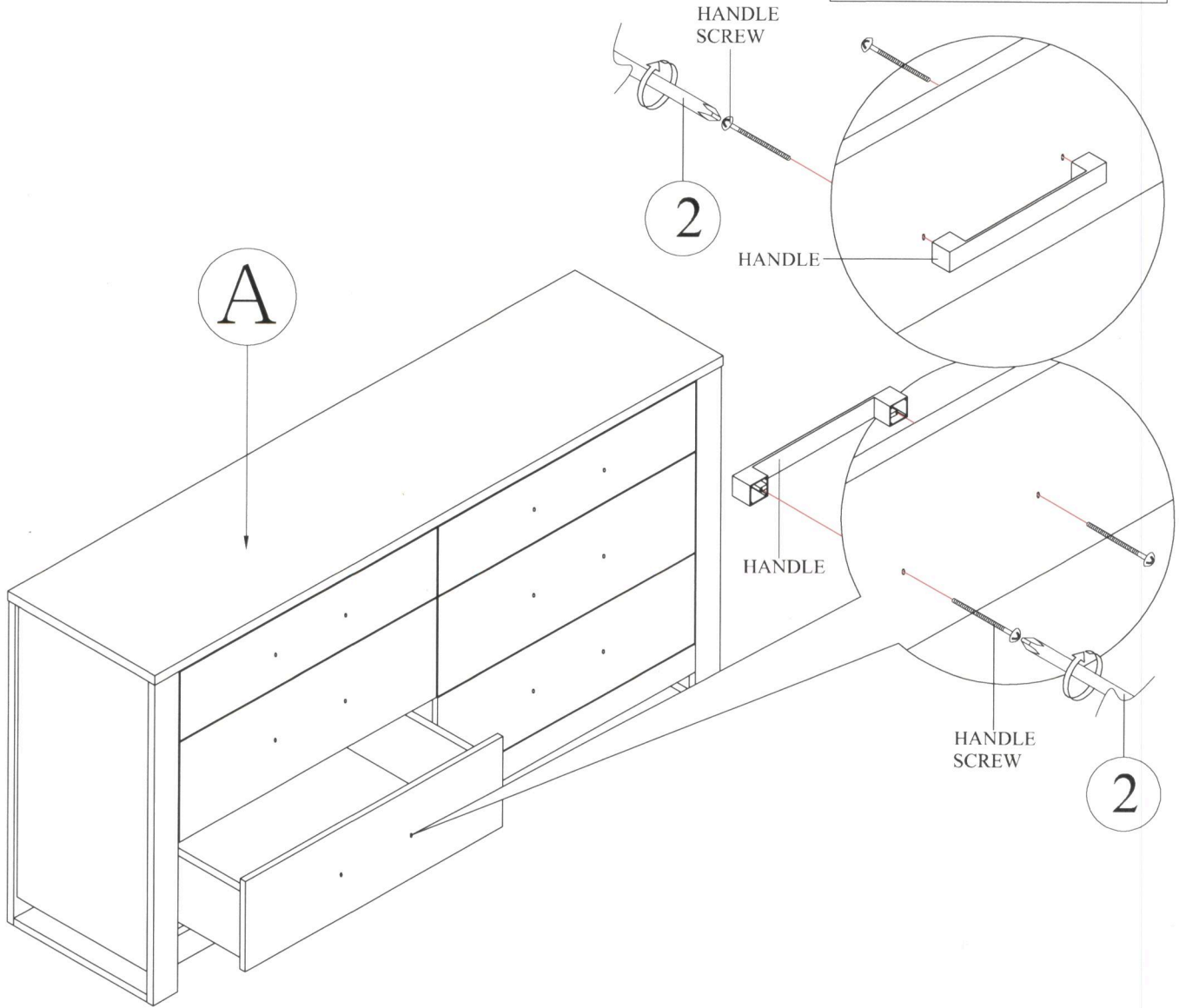


Assembly step

STEP 1

To assemble handle to drawer

TO RE - ASSEMBLE HANDLE FROM INSIDE DRAWER TO OUTSIDE DRAWER



NOTE :