



Assembly Instruction

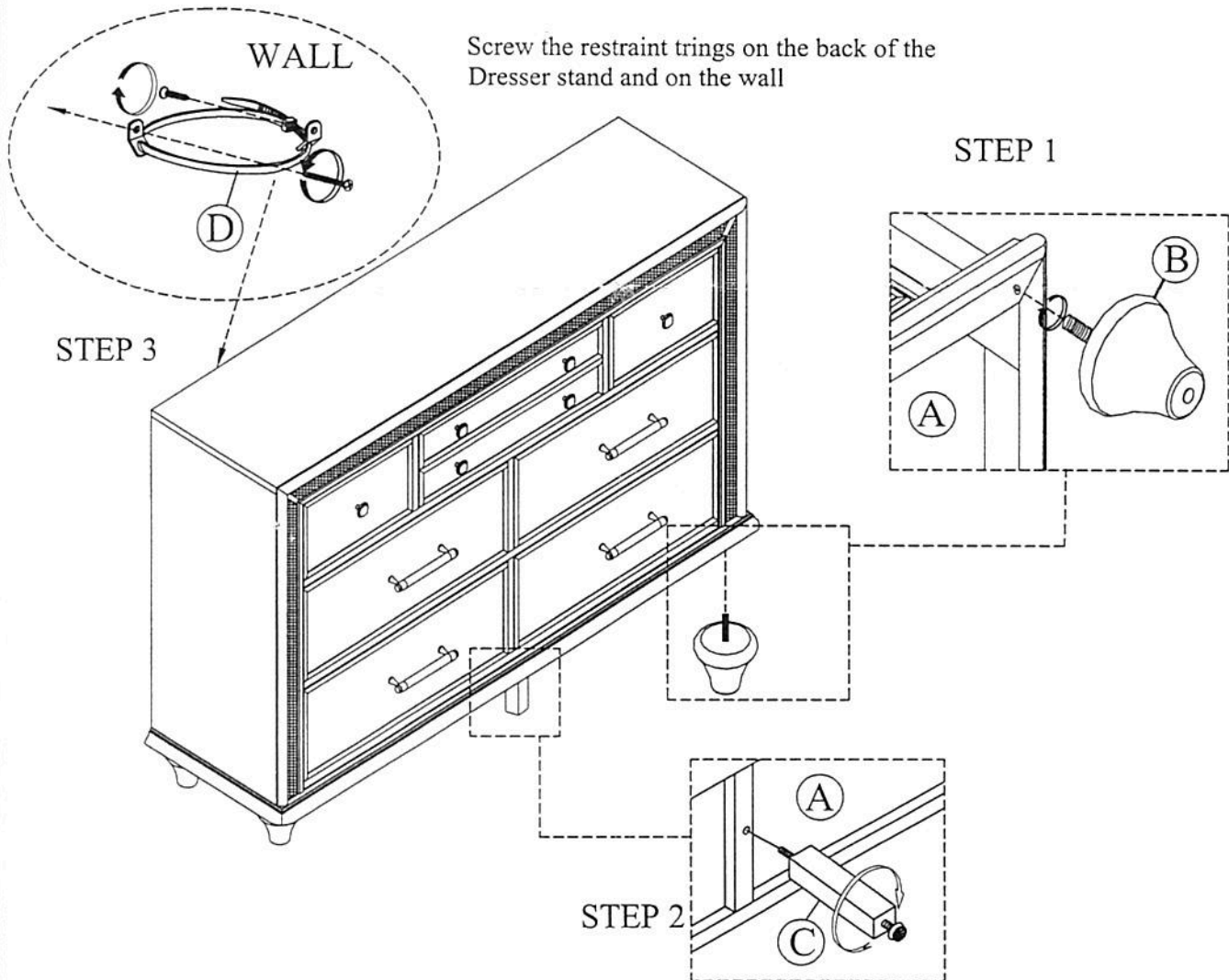
SLAW 135-7532-010 Dresser

SKU # 32175324

***Caution: Please read all instructions carefully before starting the assembly process. These parts are cumbersome and heavy. Therefore, two people are recommended in order to prevent personal injury and insure the parts are not damaged during the assembly

PARTS LIST:			
Code	Description	Sketch	Quantity
A	Dresser		1 pc
B	Bun Foot		4 pcs
C	Center leg		1 pc

Step	Code	Anti Tipping Kit List	
3	D	Anti tipping kits	1 Set



Anti Tipping Kit Location(s): inside top drawer.
Dresser , SKU # 32175324