

Assembly Instructions

HFVC 8470/8471-NS NIGHTSTAND


SKU# 32584701/32584713

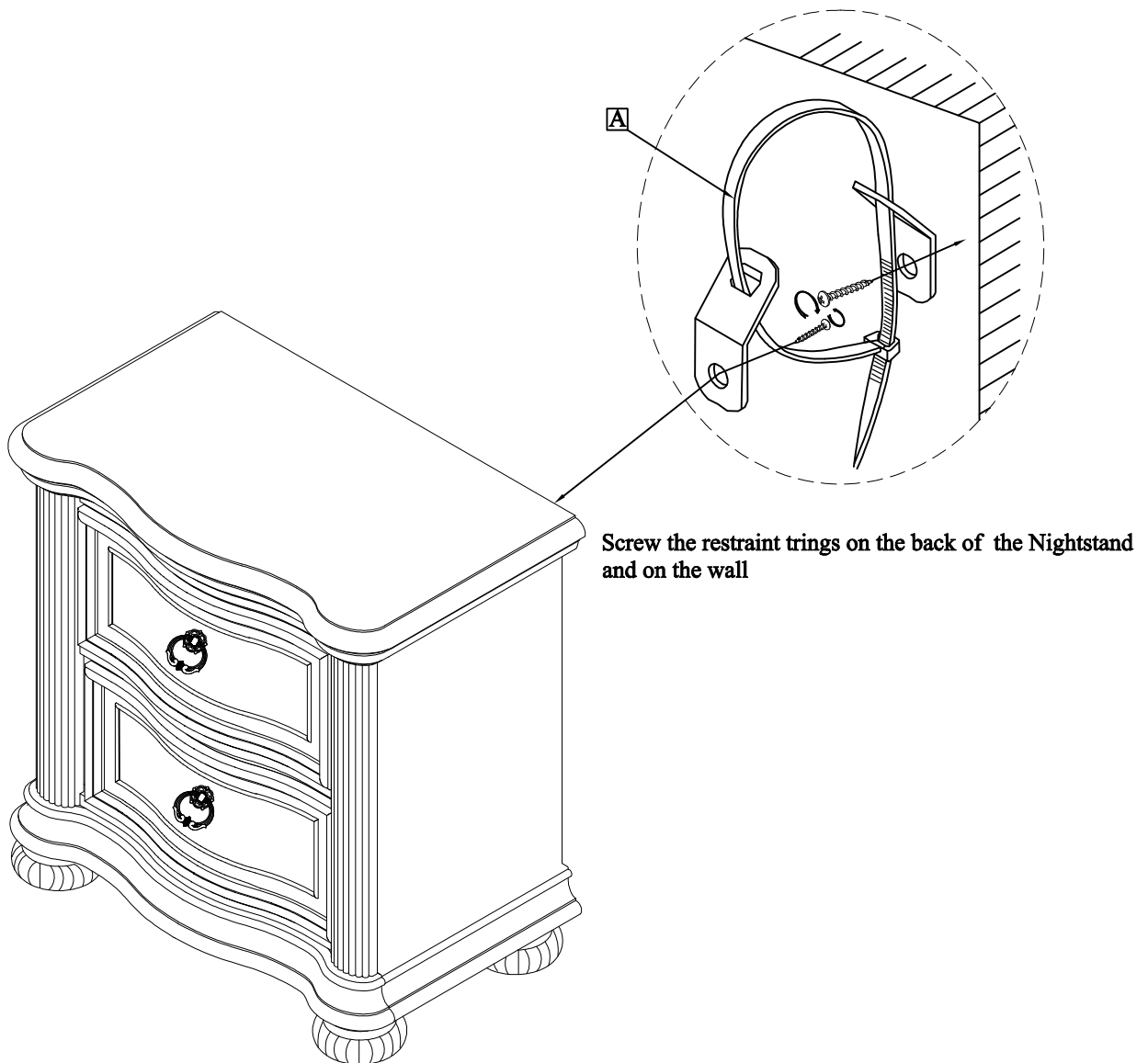
This product is manufactured by HFVC for

ROOMS TO GO ▶

*****Caution:** Please read all instructions carefully before starting the assembly process. These part are cumbersome and heavy. Therefore, two people are recommended in order to prevent personal injury and ensure the parts are not damaged during the assembly.

Step	Code	HARDWARE LIST		
1	A	Furniture Tipping Restraint		1set

TOOLS REQUIRED (NOT PROVIDED)	
Description	Sketch
Phillips Screwdriver	



Anti Tipping Kit Location(s):

HFVC 8470/8471-NS Nightstand, SKU# 32584701/32584713

Assembly Instructions

HFVC 8470/8471-C CHEST


SKU# 32684703/32684715

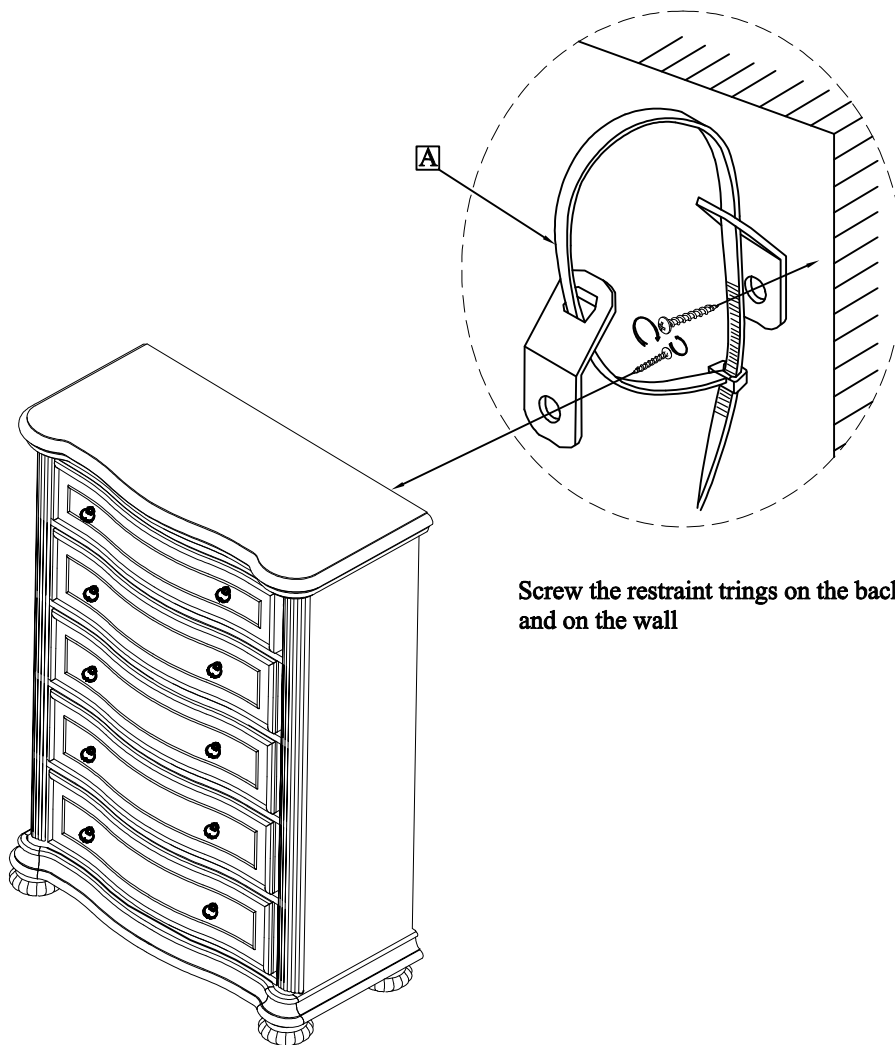
This product is manufactured by HFVC for

ROOMS TO GO ►

***Caution: Please read all instructions carefully before starting the assembly process. These part are cumbersome and heavy. Therefore, two people are recommended in order to prevent personal injury and ensure the parts are not damaged during the assembly.

Step	Code	HARDWARE LIST		
1	A	Furniture Tipping Restraint		1set

TOOLS REQUIRED (NOT PROVIDED)	
Description	Sketch
Phillips Screwdriver	



Anti Tipping Kit Location(s):

HFVC 8470/8471-C Chest, SKU# 32684703/32684715




Assembly Instructions

HFVC 470/8471-DR Dresser
 HFVC 8470/8471- MR Mirror


SKU# 32184703/32184715
 SKU# 32284705/32284717

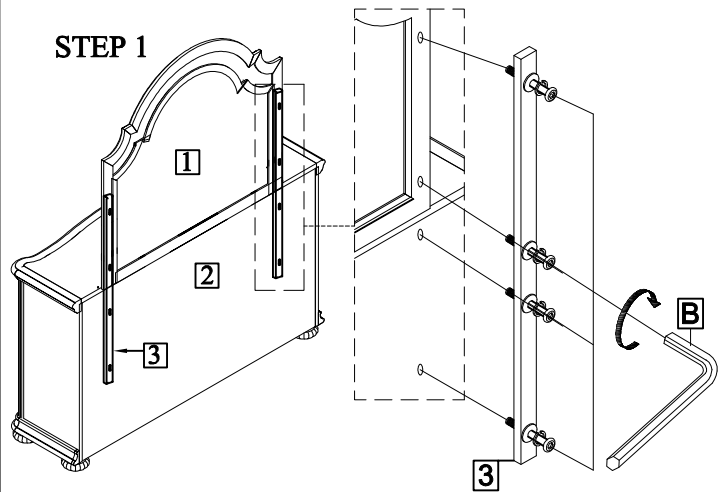
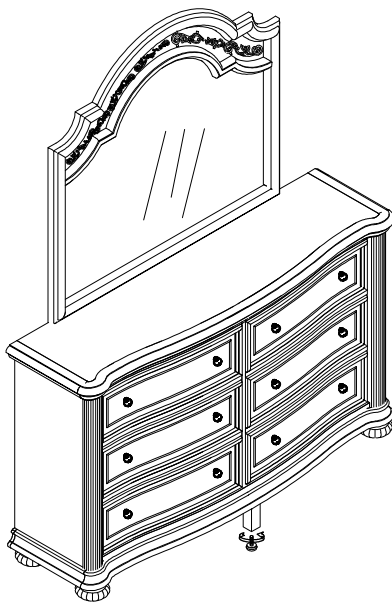
This product is manufactured by HFVC for

ROOMS TO GO ▶

Code	PART LIST		
1	Mirror		1PC
2	Dresser		1PC
3	Mirror support		2PCS

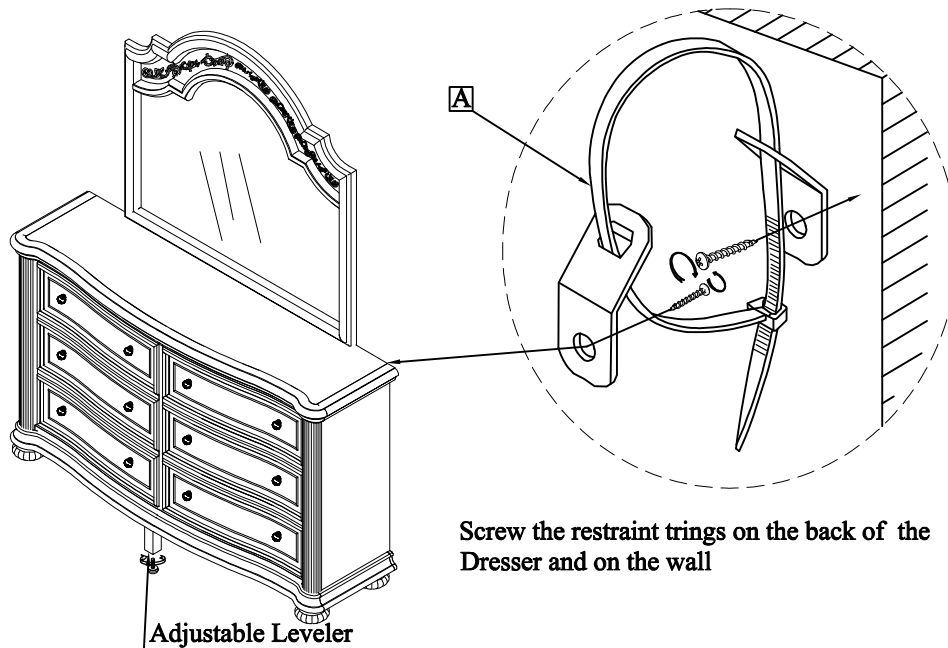
Step	Code	HARDWARE LIST		
1	A	Furniture Tipping Restraint		1set
	B	4mm Allen key		1pc

TOOLS REQUIRED (NOT PROVIDED)	
Description	Sketch
Phillips Screwdriver	



NOTES: Bolts were already pre-installed on the mirror brackets
 Install the Mirror (1) onto the Dresser (2) with 2 Mirror support (3)
 from the back using allen key (B).

STEP 2



Screw the restraint trings on the back of the
 Dresser and on the wall

Hardware Pack location(s)
 HFVC 8470/8471-MR Mirror SKU# 32284705/32284717

Anti Tipping Kit Location(s):
 HFVC 8470/8471-DR Dresser SKU# 32184703/32184715

Assembly Instructions


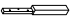
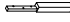
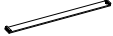




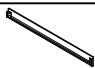
HFVC 8470/8471-QHB QN HDBD
 HFVC 8470/8471-QFB QN FTBD
 HFVC 8470/8471-QHB QN/KG SIDE RAILS


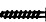
SKU# 32384707/32384719
 SKU# 32784705/32784717
 SKU# 32984709/32984711


This product is manufactured by HFVC for

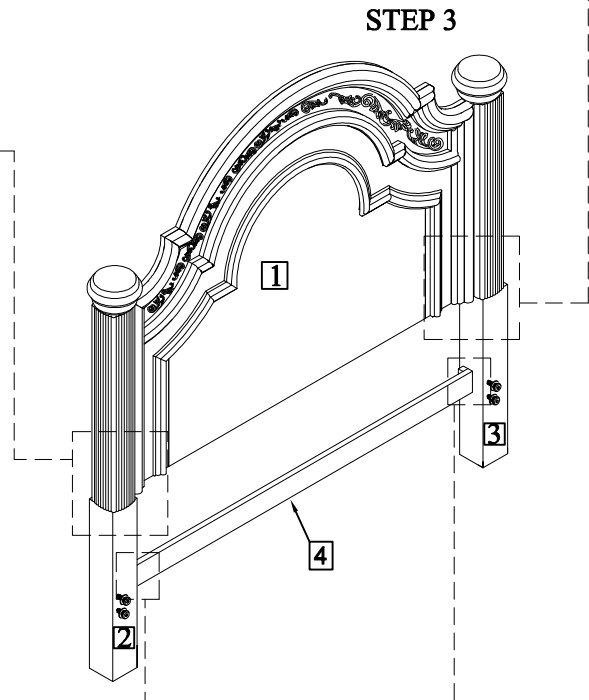
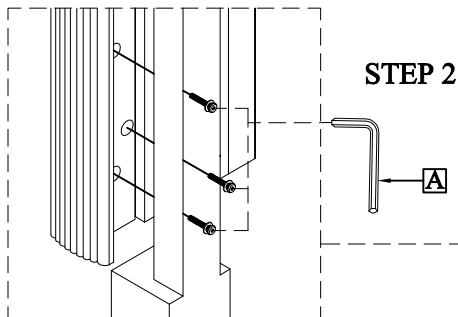
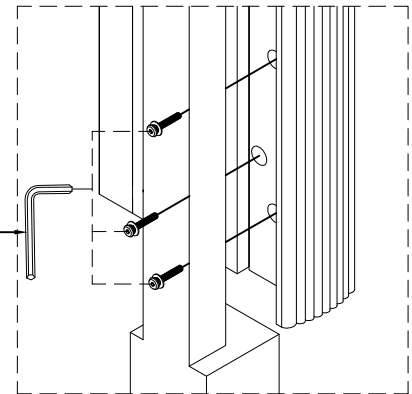
ROOMS TO GO

*****Caution:** Please read all instructions carefully before starting the assembly process. These part are cumbersome and heavy. Therefore, two people are recommended in order to prevent personal injury and ensure the parts are not damaged during the assembly.

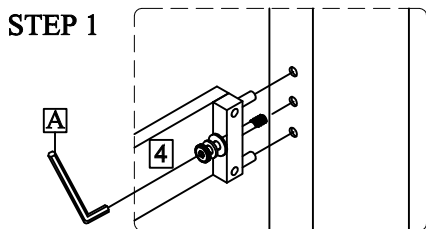
Code	PART LIST		
1	Headboard		1PC
2	Left Headboard Leg		1PC
3	Right Headboard Leg		1PC
4	Stretcher Rail		1PC
5	Footboard		1PC
6	Slat		5PCS
7	Slat Support Leg (Short)		5PCS
8	Slat Support Leg (Long)		5PCS
9	Side Rail		2PCS

Step	Code	HARDWARE LIST		
1-2-3-4-5	A	4mm Allen key		1pc
6	B	Wood screw #8*30mm		10pcs

TOOLS REQUIRED (NOT PROVIDED)	
Description	Sketch
Phillips Screwdriver	



NOTE: The Headboard and Footboard bolts are already pre-installed.
STEP 1 : Assembly Stretcher rail (4) with HB legs using allen key (A). Do not tighten all bolts until HB is fully assembly.
STEP 2 : Assembly the left legs(2) with the left HB(1) using allen key (A). Do not tighten all bolts until HB is fully assembly.
STEP 3 : Assembly the right legs(3) with the right HB(1) using allen key (A). Do not tighten all bolts until HB is fully assembly.



Hardware Pack location(s)
 HFVC 8470/8471-QHB Queen Bed Headboard
 HFVC 8470/8471-QFB Queen Bed Footboard

SKU# 32384707/32384719
 SKU# 32784705/32784717

Assembly Instructions

HFVC 8470/8471-QHB QN HDBD
 HFVC 8470/8471-QFB QN FTBD
 HFVC 8470/8471-QHB QN/KG SIDE RAILS

SKU# 32384707/32384719
 SKU# 32784705/32784717
 SKU# 32984709/32984711

This product is manufactured by HFVC for

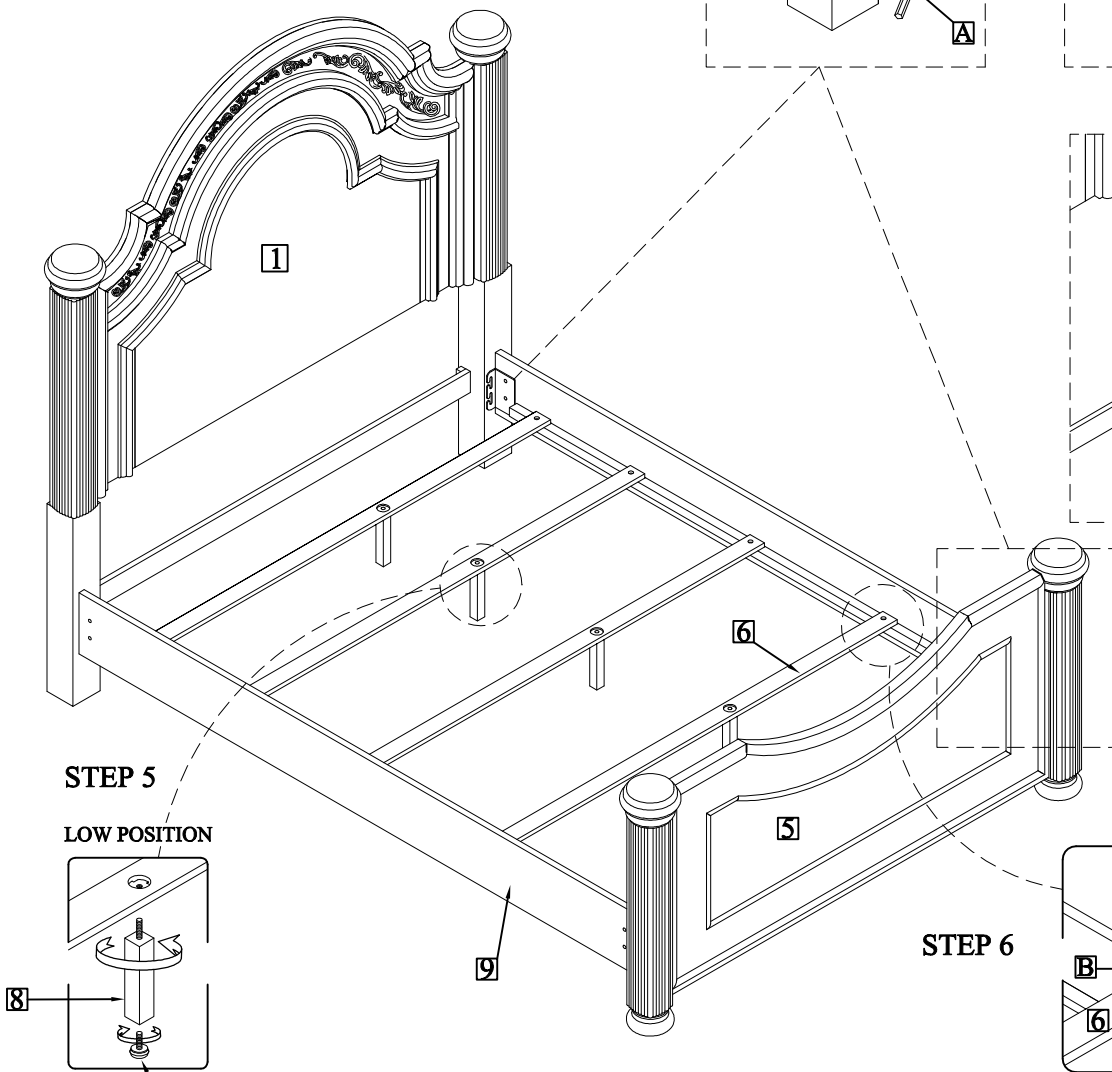
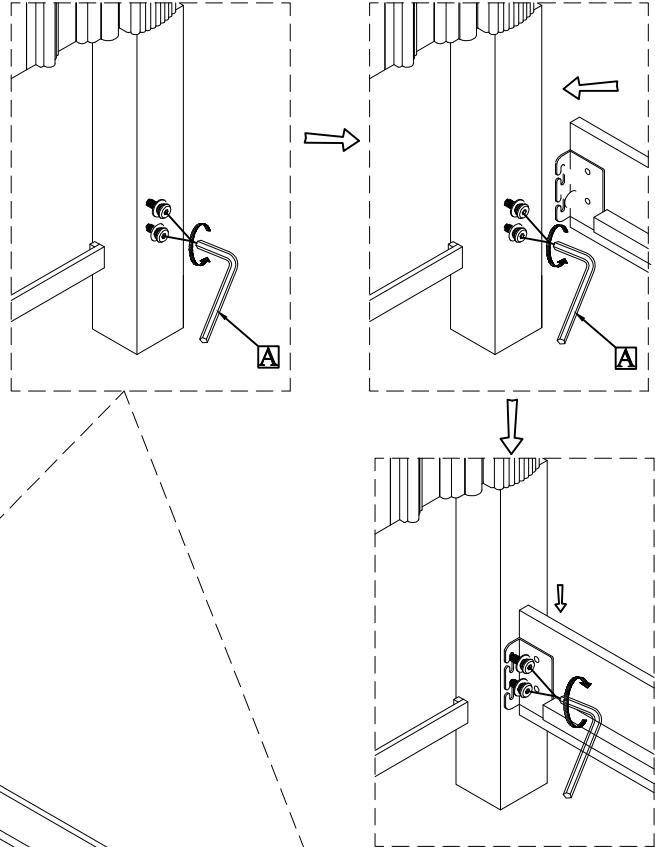
ROOMS TO GO ►

*****Caution:** Please read all instructions carefully before starting the assembly process. These part are cumbersome and heavy. Therefore, two people are recommended in order to prevent personal injury and ensure the parts are not damaged during the assembly.

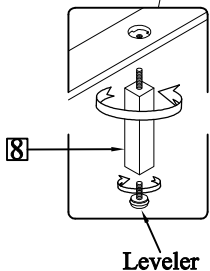
- STEP 4: Assemble the side rails (9) to the HB (1) and FB (5) using allen key (A) .
- STEP 5: Assemble the support leg (8) to slats (6).
- STEP 6: Assemble the slats (6) to the side rail (9).

Option A

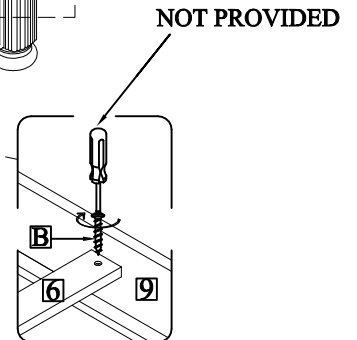
STEP 4 LOW POSITION



STEP 5 LOW POSITION



STEP 6



Assembly Instructions

HFVC 8470/8471-QHB QN HDBD
HFVC 8470/8471-QFB QN FTBD
HFVC 8470/8471-QHB QN/KG SIDE RAILS

SKU# 32384707/32384719
SKU# 32784705/32784717
SKU# 32984709/32984711

This product is manufactured by HFVC for

ROOMS TO GO ►

***Caution: Please read all instructions carefully before starting the assembly process. These part are cumbersome and heavy. Therefore, two people are recommended in order to prevent personal injury and ensure the parts are not damaged during the assembly.

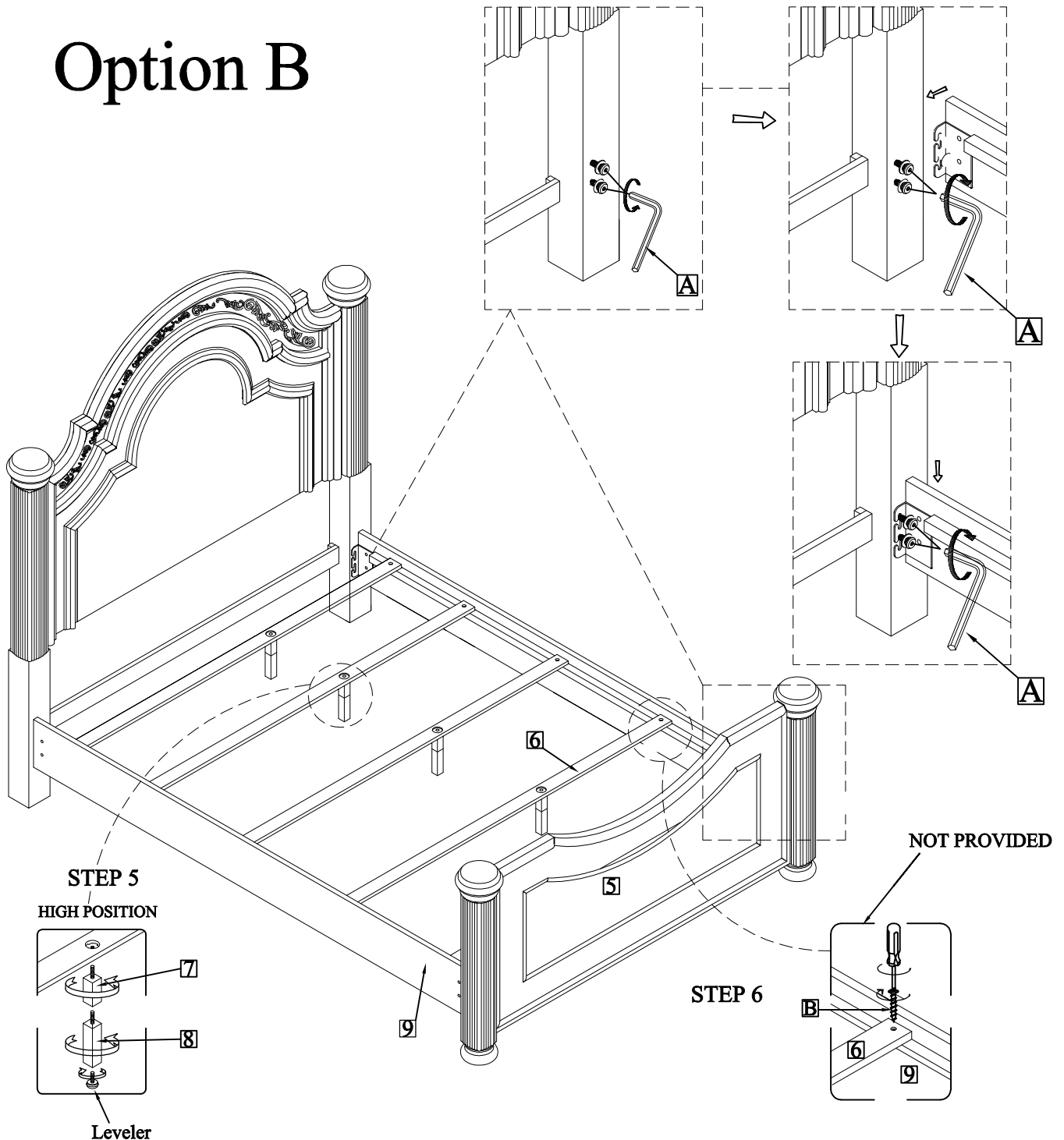
STEP 4: Assemble the side rails (9) to the HB (1) and FB (5) using allen key (A) .

STEP 5: Assemble the support leg (7&8) to slats (6).

STEP 6: Assemble the slats (6) to the side rail (9).

Option B

HIGH POSITION



Assembly Instructions










HFVC 8470/8471-KHB KG HDBD
 HFVC 8470/8471-KFB KG FTBD
 HFVC 8470/8471-QKR QN/KG SIDE RAILS


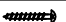
SKU# 32484709/32484711
 SKU# 32884707/32884719
 SKU# 32984709/32984711


This product is manufactured by HFVC for

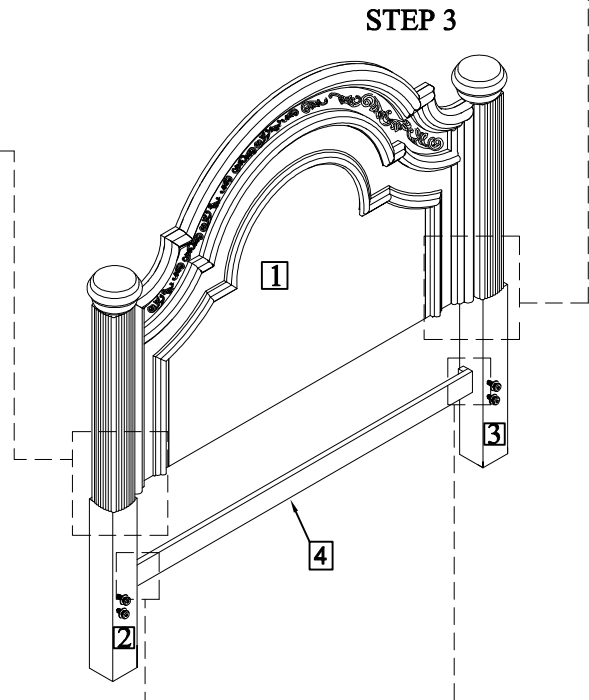
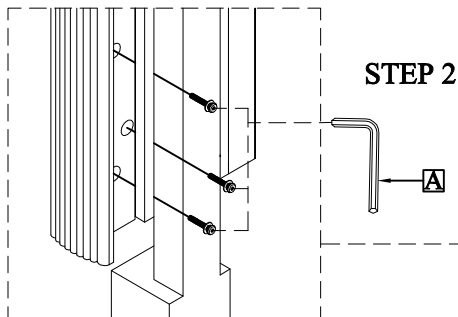
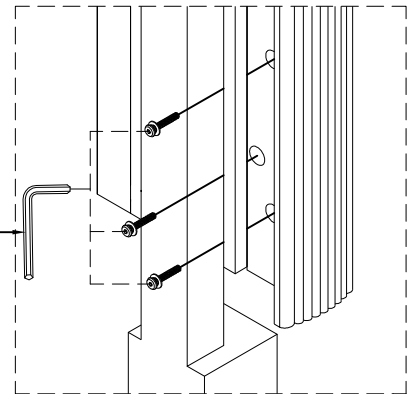
ROOMS TO GO

*****Caution:** Please read all instructions carefully before starting the assembly process. These part are cumbersome and heavy. Therefore, two people are recommended in order to prevent personal injury and ensure the parts are not damaged during the assembly.

Code	PART LIST		
1	Headboard		1PC
2	Left Headboard Leg		1PC
3	Right Headboard Leg		1PC
4	Stretcher Rail		1PC
5	Footboard		1PC
6	Slat		5PCS
7	Slat Support Leg (Short)		10PCS
8	Slat Support Leg (Long)		10PCS
9	Side Rail		2PCS

Step	Code	HARDWARE LIST		
1-2-3-4-5	A	4mm Allen key		1pc
6	B	Wood screw #8*30mm		10pcs

TOOLS REQUIRED (NOT PROVIDED)	
Description	Sketch
Phillips Screwdriver	



NOTE: The Headboard and Footboard bolts are already pre-installed.

STEP 1 : Assembly Stretcher rail (4) with HB legs using allen key (A).

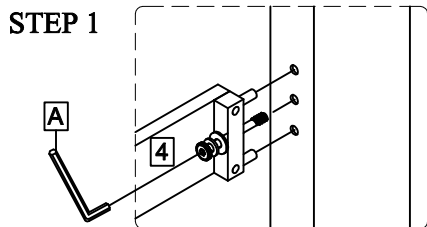
Do not tighten all bolts until HB is fully assembly.

STEP 2 : Assembly the left legs(2) with the left HB(1) using allen key (A). Do not tighten all bolts until HB is fully assembly.

STEP 3 : Assembly the right legs(3) with the right HB(1) using allen key (A).

Do not tighten all bolts until HB is fully assembly.

Do not tighten all bolts until HB is fully assembly.



Hardware Pack location(s)

HFVC 8470/8471-KHB King Bed Headboard

HFVC 8470/8471-KFB King Bed Footboard

SKU# 32484709/32484711

SKU# 32884707/32884719

Assembly Instructions

HFVC 8470/8471-KHB KG HDBD
HFVC 8470/8471-KFB KG FTBD
HFVC 8470/8471-QKR QN/KG SIDE RAILS

SKU# 32484709/32484711
SKU# 32884707/32884719
SKU# 32984709/32984711

This product is manufactured by HFVC for

ROOMS TO GO

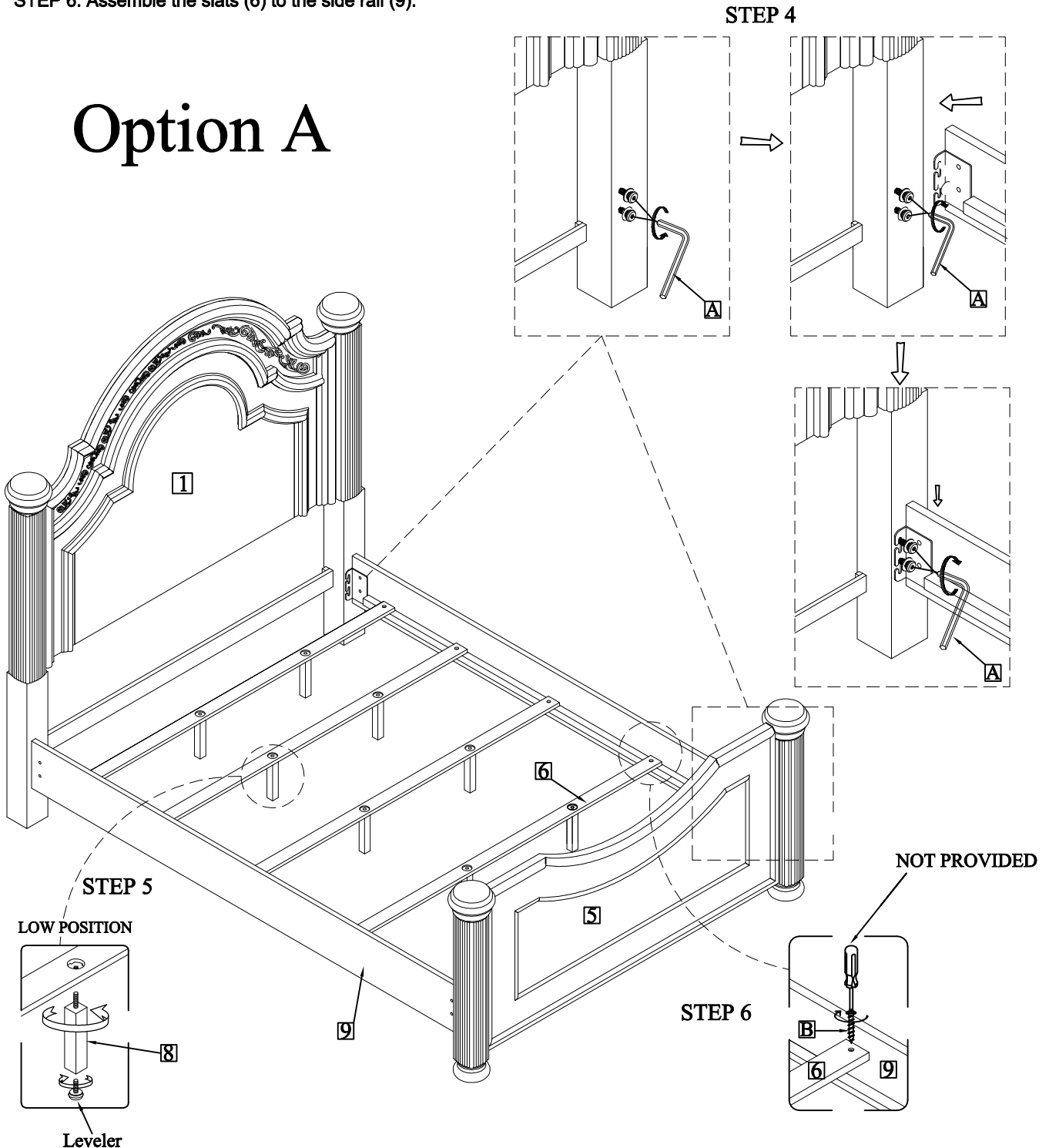
*****Caution:** Please read all instructions carefully before starting the assembly process. These parts are cumbersome and heavy. Therefore, two people are recommended in order to prevent personal injury and ensure the parts are not damaged during the assembly.

STEP 4: Assemble the side rails (9) to the HB (1) and FB (5) using allen key (A).

STEP 5: Assemble the support leg (8) to slats (6).

STEP 6: Assemble the slats (6) to the side rail (9).

Option A



Assembly Instructions

HFVC 8470/8471-KHB KG HDBD
HFVC 8470/8471-KFB KG FTBD
HFVC 8470/8471-QKR QN/KG SIDE RAILS

SKU# 32484709/32484711
SKU# 32884707/32884719
SKU# 32984709/32984711

This product is manufactured by HFVC for

ROOMS TO GO ►

***Caution: Please read all instructions carefully before starting the assembly process. These part are cumbersome and heavy. Therefore, two people are recommended in order to prevent personal injury and ensure the parts are not damaged during the assembly.

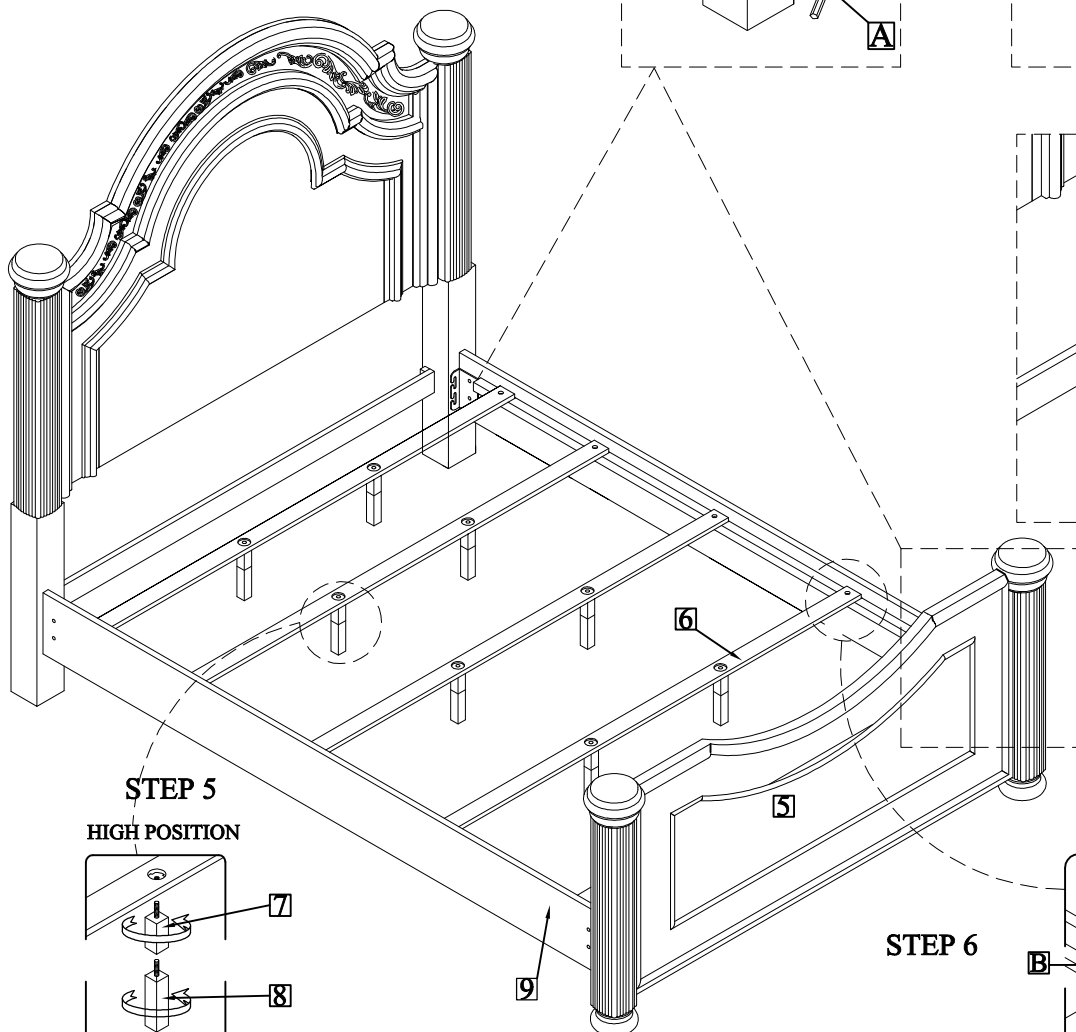
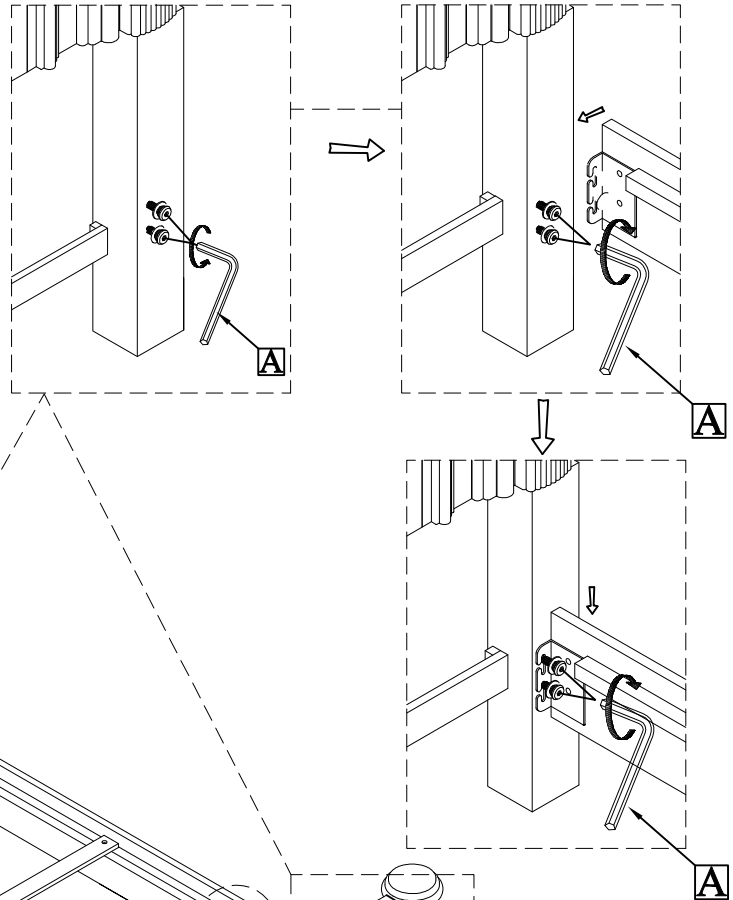
STEP 4: Assemble the side rails (9) to the HB (1) and FB (5) using allen key (A) .

STEP 5: Assemble the support leg (7&8) to slats (6).

STEP 6: Assemble the slats (6) to the side rail (9).

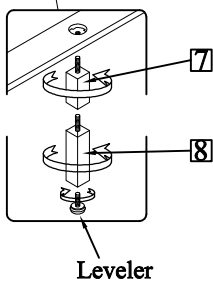
Option B

HIGH POSITION



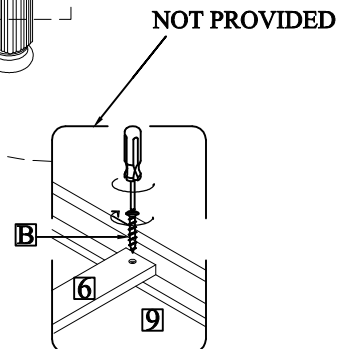
STEP 5

HIGH POSITION



Leveler

STEP 6



NOT PROVIDED