

Caution: Please read instructions thoroughly before unpacking assembly parts. Sharp, exposed staple tips can cause injury, therefore, for your protection, please remove any exposed staple used in packing.

1. We recommend that you should assemble this product with the assistance of another person; this will make assembly easier, and will help to eliminate damage to the product or injury to persons during assembly.
2. Be sure to check all packing materials carefully for small parts that may have come loose inside the carton during shipment.
3. Please do not over-tighten screws or bolts until the assembly is complete.
4. Please put all parts on a non-abrasive floor before assembly, and follow the assembly steps to assemble your newly purchased product correctly and efficiently.

PART LISTS

NO	IMAGE	ITEM DESCRIPTION	Q' TY
1		DRESSER	1 PC
2		MIRROR	1 PC
3		MIRROR SUPPORTS	2 PCS
4		SUPPORT LEG	1 PC

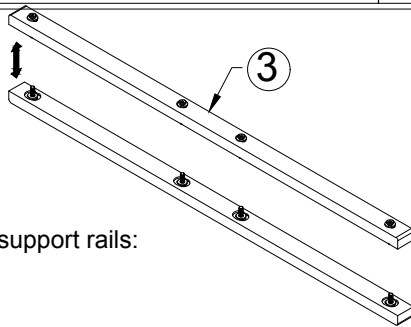
HARDWARE LISTS

NO	IMAGE	ITEM DESCRIPTION	Q' TY
A		(L76x4MM) ALLEN KEY	1 PC
B		TIPPING RESTRAINT	1 SET

STEP 3

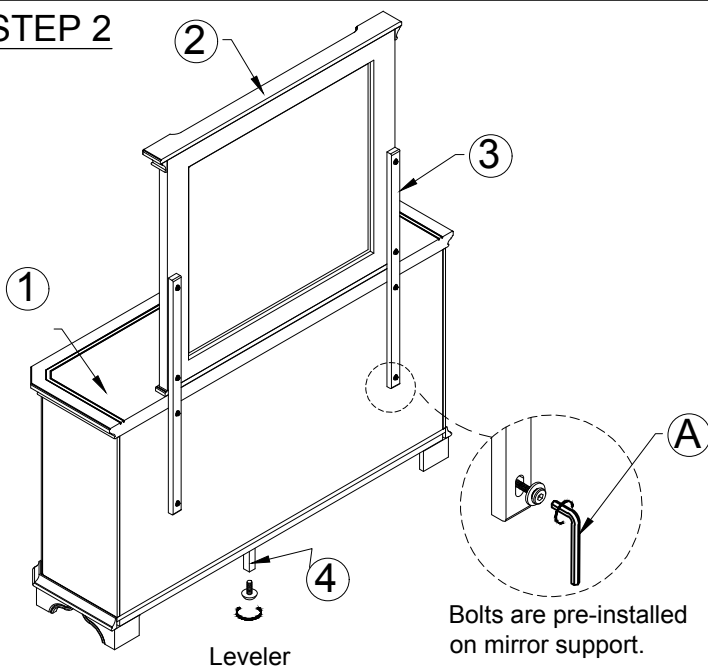
Remark: There is a tip restraint kit provided on the back of this product. Please read the directions thoroughly and install immediately when placed in home.

STEP 1



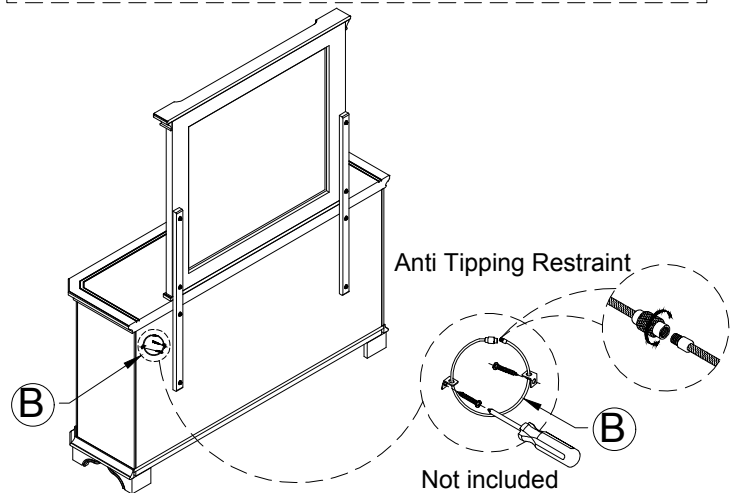
Bolts are pre-installed on support rails:
Bolts: 1/4" x 20 x 1-1/4" L
Flat Washer: 1/4"
Spring Washer: 1/4"

STEP 2



Leveler

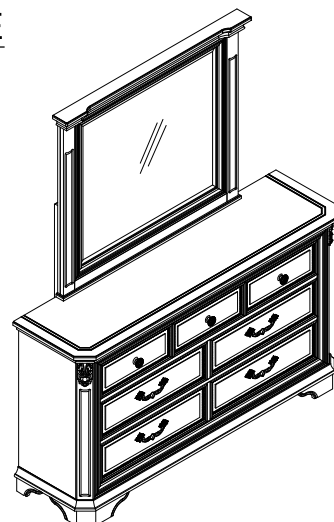
Bolts are pre-installed on mirror support.



Anti Tipping Restraint

Not included

COMPLETE



This product is manufactured by YUYU for ROOMS TO GO