

# ASSEMBLY INSTRUCTION

PULA: 9390-100 DRESSER

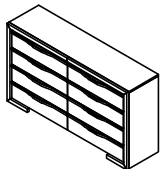
SKU: 32193904


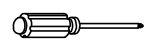
Version#1 - 11/12/2024

This product is manufactured by PULA for **Rooms To Go**

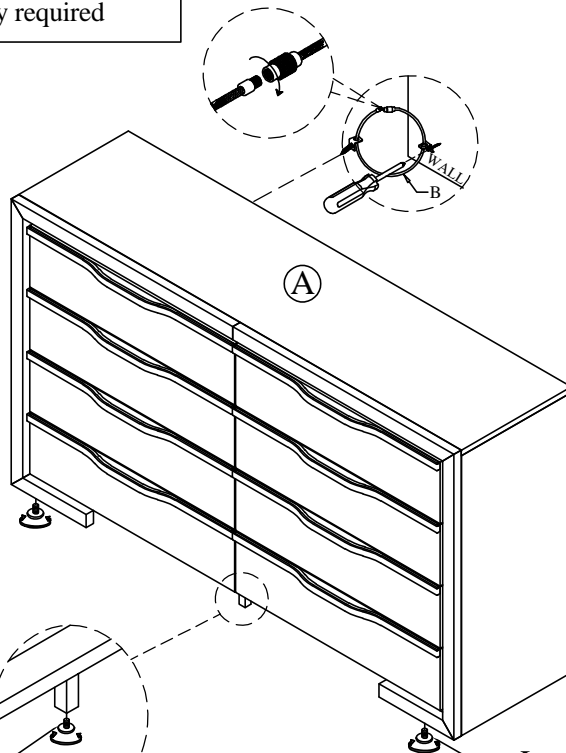
\*\*\* Caution: Please read all instructions carefully before starting the assembly process. These parts are cumbersome and heavy. Therefore, two people are recommended in order to prevent personal injury and ensure the parts are not damaged during the assembly.

\*\*\* Remark: DO NOT fully tighten all bolts until assembly is completed.

Code	PARTS LIST :		
A	Dresser		1Pc

Code	HARDWARE LIST		
B		FURNITURE TIPPING RESTRAINT	1Set
Tool Required (not provided)			
		Phillip Screwdriver	

**REMARK:**  
Anti-tip hardware - customer  
assembly required



**Remark:**  
Levelers are pre-installed  
on the support leg.

**Leveler (3 pcs)**

**Remark:**  
Levelers are pre-installed  
on the leg.

**Hardware Pack Location (s):**

9390-100 DRESSER , SKU: 32193904