

# Assembly Instructions

NAJA 9881-2MR MIRROR

SKU#32298817

NAJA 9881-1DR DRAWER DRESSER




SKU#32198815

Version#1 - 2025/10/11

Thank you for purchasing this quality product. Be sure to check all packing materials carefully for small parts, which may have come loose inside the carton during shipment. Identify and count all parts and compare with the **HARDWARE LIST** below.

Caution: Please read instructions thoroughly before unpacking assembly parts.

1. We recommend that you assemble this product with the assistance of another person; this will make assembly easier, and will help to eliminate damage to the product or injury to persons during assembly.
2. Please do not over tighten screws or bolts until the assembly is completed.
3. Please put all parts on a non-abrasive floor before assembly, and follow the assembly steps to assemble your newly purchased product correctly and efficiently.

NO.	PARTS LIST		Q' TY
A		Dresser (sold separately)	1
B		Mirror	1
C		Mirror Bracket	2

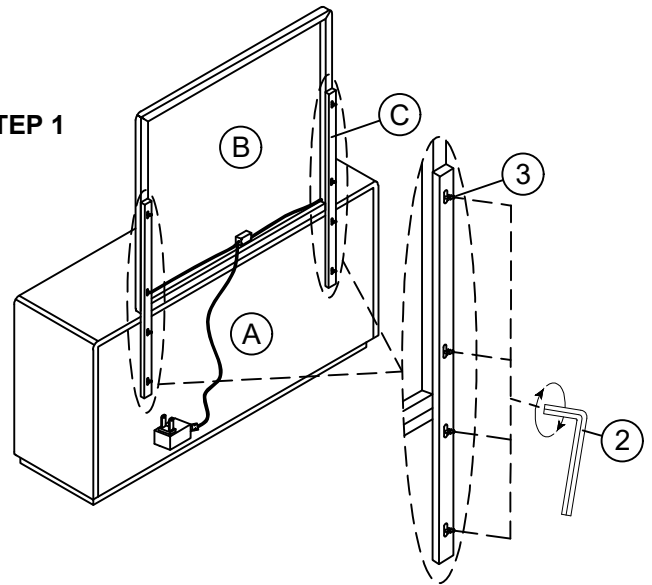
NO.	HARDWARE LIST		Q' TY
1		Anti-tipping kit	1
2		Allen Wrench 4mm	1
3		Bolt $\varnothing 1/4''-20 \times 40\text{mm}$ <i>(PRE-ASSEMBLED)</i>	8
		Spring washer $\varnothing 1/4'' \times \varnothing 11\text{mm} \times 1.5\text{mm}$ <i>(PRE-ASSEMBLED)</i>	8
		Flat washer $\varnothing 1/4'' \times \varnothing 19\text{mm} \times 1.5\text{mm}$ <i>(PRE-ASSEMBLED)</i>	8
		Insert Nut $\varnothing 1/4'' \times \varnothing 18\text{mm} \times 10\text{Hmm}$ <i>(PRE-ASSEMBLED)</i>	8

**Remark**

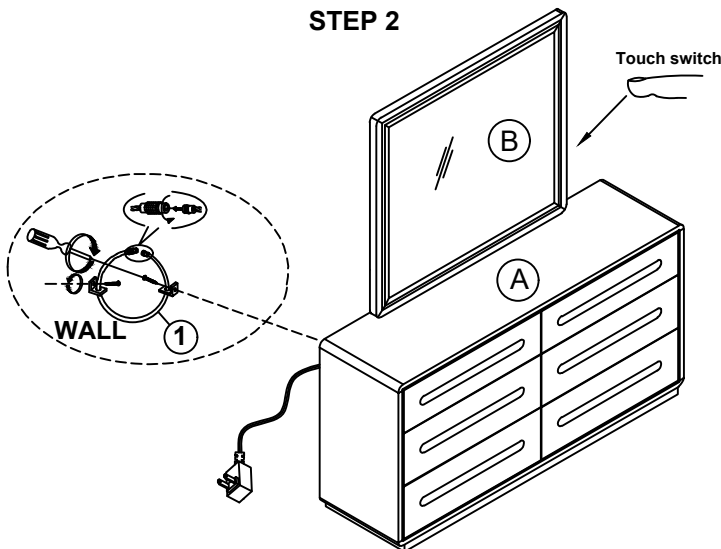
Anti-tip hardware must be installed by customer.  
Anti-tipping hardware attached to the back panel.

 **The screwdriver is not included**

**STEP 1**



**STEP 2**



**Install the Mirror (Part#B) onto the Dresser (Part#A) with Mirror Bracket (Part#C) using the bolts (Part#1) from the back using allen key (Part#2).**  
**Notes:**The bolts were pre-installed on mirror brackets.

# IMPORTANT SAFETY INSTRUCTIONS



## WARNING

Misuse can result in FIRE or DEATH by ELECTRICAL SHOCK

**24.0VDC/2.0A/48.0W**

**Shenzhen Quanzhengtong Technology Co., Ltd**

**QZT-2402000**

**Read all instructions before using this furnishing.**

**DANGER – To reduce the risk of electric shock:**

- Always unplug this furnishing from the electrical outlet before cleaning or servicing.

**WARNING – To reduce the risk of burns, fire, electric shock, or injury to persons:**

- Unplug from outlet before putting on or taking off parts.
- Never operate this furnishing if it has a damaged electrical cord or plug, if it is not working properly, or if the electrical cord or plug has been damaged or dropped into water. Stop using this furnishing and call a service center for examination and repair.
- Keep the electrical cord and plug away from heated surfaces and other heat sources.
- To disconnect, turn all controls to the off position, then remove plug from outlet.
- When operating, ensure that electrical cord is not under the base, legs, or motion mechanism to avoid damage to electrical cord or plug.
- Do not strain or stretch electrical cord.
- Do not use extension cords or power strips.
- Keep out of reach of children. This is not a toy.
- Plug directly into a compatible electrical socket.
- Do not modify the plug or use any adapters.

# INSTRUCCIONES DE SEGURIDAD IMPORANTES



## WARNING

El mal uso puede provocar **INCENDIO** o **MUERTE** por **DESCARGA ELÉCTRICA**

**24.0VDC/2.0A/48.0W**

**Shenzhen Quanzhengtong Technology Co., Ltd**

**QZT-2402000**

**Leer todas las instrucciones antes de usar este mobiliario.**

**PELIGRO - Para reducir el riesgo de descarga eléctrica:**

- Siempre desenchufe este accesorio de la toma de corriente eléctrica antes de limpiarlo o repararlo

**ADVERTENCIA: para reducir el riesgo de quemaduras, incendios, descargas eléctricas o lesiones a personas:**

- Desenchufe del tomacorriente antes de colocar o quitar partes.
- Nunca opere este accesorio si tiene un cable o enchufe eléctrico dañado, si no funciona correctamente, o si el cable o el enchufe eléctrico se ha dañado o se ha caído al agua. Deje de usar este equipamiento y llame a un centro de servicio para que lo examinen y lo reparen.
- Mantenga el cable eléctrico y el enchufe lejos de superficies calientes y otras fuentes de calor
- Para desconectar, gire todos los controles a la posición de apagado, luego retire el enchufe del tomacorriente.
- Al operar, asegúrese de que el cable eléctrico no esté debajo de la base, las patas o el mecanismo de movimiento para evitar dañar el cable eléctrico o el enchufe.
- No fuerce ni estire el cable eléctrico.
- No utilizar cables de extensión o tomas de corriente.
- Mantener fuera del alcance de los niños. Esto no es un juguete
- Enchúfelo directamente a una toma de corriente compatible.
- No modifique el enchufe ni utilice adaptadores.

# **CARING FOR YOUR FURNITURE**

## **Protect your investment**

The beauty of furniture care is that it helps to protect your investment, as fine furniture is an important purchase.

Proper care will help maintain your furniture's finish and ensure that it looks great year after year.

## **Caring for furniture**

Caring for furniture is easy. Following a few simple guidelines will help extend the life of your furniture.

- Always dust with a cloth moistened with polish. Polish cushions the cloth, eliminating the scratching that occurs with dry dusting. Dust will scratch furniture if not removed quickly. Use a soft clean cloth that won't scratch the surface. Avoid coarse or scratchy materials or fabrics.
- Avoid using soap and water on furniture. Water can penetrate the finish and raise the grain on wood. Causing damage.

## **The Enemies of Furniture**

Many common problems in furniture care are caused by the elements. If you are aware of these troublemakers, the resulting damage can easily be avoided.

- Sunlight's ultraviolet rays can damage wood finishes. Arrange furniture out of direct sunlight use sun screening drapes during intense sunlight hours, rotate furniture in place and room arrangement.
- Liquid spills will damage furniture if not removed promptly. Use coasters under beverage glasses and saucers under cups and flowerpots. If a spill occurs, immediately blot it gently without rubbing the surface.
- Heat creates a chemical change in the furniture finish, which can result in a white spot. Use protective mats under hot dishes, utensils or cooking appliances.
- Cyclic changes in temperature can damage furniture. Placing furniture near to central heating radiators and air ducts should be avoided because this causes extreme localized drying of the wood.

## **Tips for Better Dusting**

- Be sure to use the same type of polish consistently. Your furniture will appear cloudy or streaky if oil based or wax based polishes are interchange.
- Always use a fine furniture polish when dusting. Never dry dust, as it could cause microscopic scratches on your furniture's surface. Remember to change dusting cloths frequently since a dirty cloth may scratch your furniture's surface.
- Spray your furniture surface evenly, but not too generously. Wipe in a circular motion with a soft clean cloth to clean and loosen old polish.
- Then buff until completely dry for a beautiful shine and a smudge free finish. For wood trim spray polish on the cloth first, then dust.