




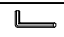
# ASSEMBLY INSTRUCTIONS




AUGR RTG1576-01 MIRROR  
 AUGR RTG1576-12 DRESSER

SKU: 32215762  
 SKU: 32115760

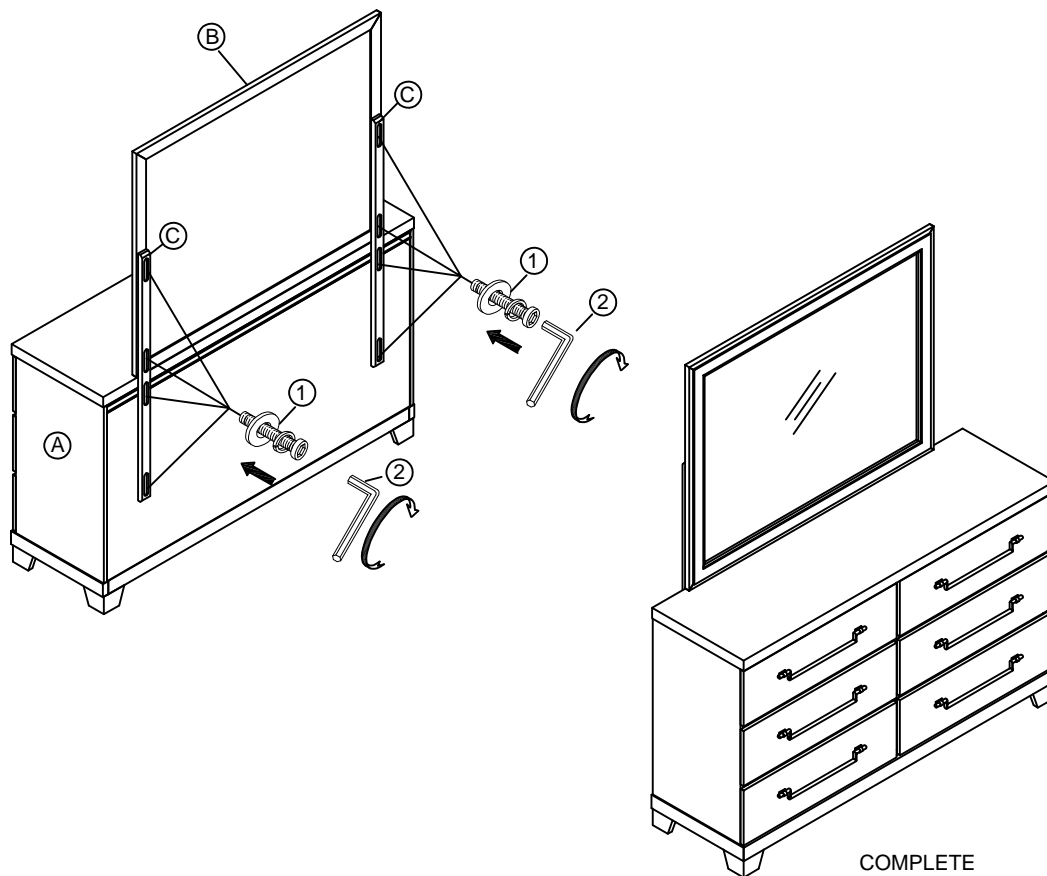
**Caution:** Please read instructions thoroughly before unpacking assembly parts.

1. We recommend that you assemble this product with the assistance of another person. This will make assembly easier and help to eliminate damage to the product or injury to persons during assembly.
2. Be sure to check all packing materials carefully for small parts that may have come loose inside the carton during shipment.
3. Please put all parts on a non-abrasive surface and follow the assembly steps to assemble your newly purchased product correctly and efficiently.

No	Hardware List		Qty
①	Allen Bolt	Ø1/4"-18x1-1/4"L	 8pcs
	Spring Washer	1/4"x2mm	
	Flat Washer	1/4"x2mm	
②	Allen Wrench	L59x4mm	 1Pc

No	Description	Sketch	Qty
Ⓐ	Dresser		1pc
Ⓑ	Mirror		1pc
Ⓒ	Mirror Support		2pcs

STEP 1. Attach Mirror Support (C) to back of Dresser (A) and Mirror (B) using (Allen Bolt, Spring Washer, Flat Washer) (1). Tighten with Allen Wrench (2).



Hardware Pack Location(s):  
 AUGR RTG1576-01 MIRROR

SKU: 32215762