



ASSEMBLY INSTRUCTION

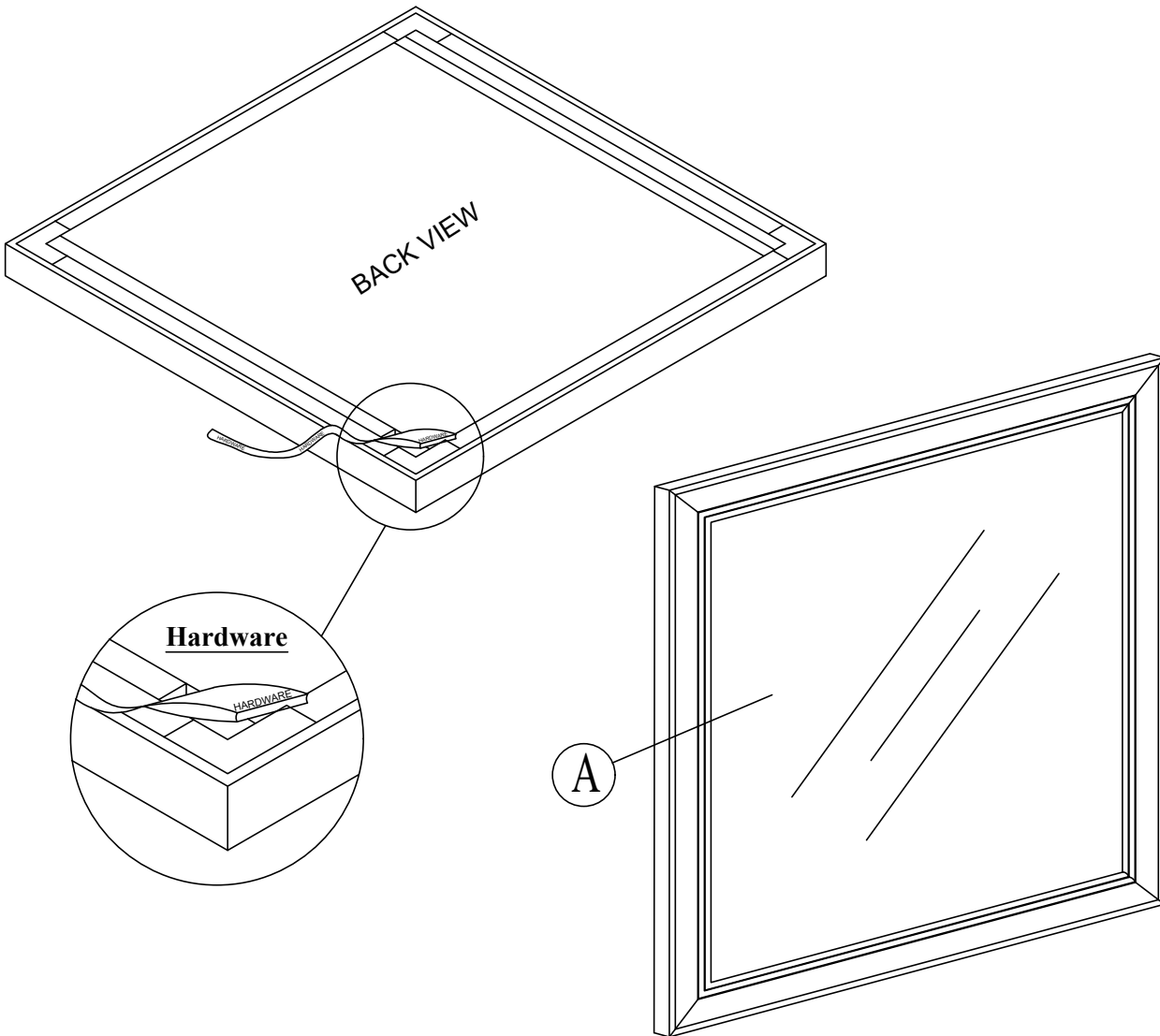
DVDR HD1622-422C MIRROR

Manufactured by (DVDR) for ROOMSTOGO

SKU# 32216233

Thank you for purchasing this quality product. Be sure to check all packing material carefully for small parts, which may have come loose inside the carton during shipment. Identify and count all parts and compare with the parts list below:

	No.	Picture	Description	Dimension	Qty
Hardware List	①		JCBC (M6) with Spring Washer and Washer	M6 x P1.0 x 35mm	8 Pcs
	②		Allen Key (M4)	4 x 65mm	1 Pc
Part List	No.	Description			Qty
	A	Mirror			1 Pc
	B	Mirror Support Rail			2 Pcs



Hardware Pack Location (s) : Bolts pack inside carton

Mirror SKU # 32216233



ASSEMBLY INSTRUCTION

DVDR HD1622-422C MIRROR

Manufactured by (DVDR) for ROOMSTOGO

SKU# 32216233

ASSEMBLY TIPS:

1. Remove hardware from box and sort by size.
2. Please check to see that all hardware and parts are present prior start of assembly.
3. Please follow attached instructions in the same sequence as numbered to assure fast and easy assembly.

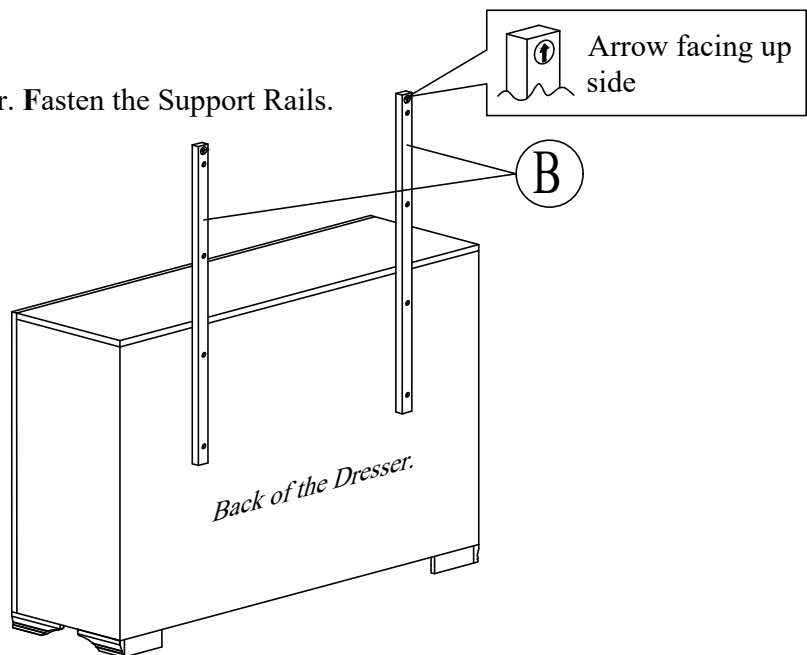
⚠ WARNING!

1. Don't attempt to repair or modify parts that are broken or defective. Please contact the store immediately.
2. This product is for home use only and not intended for commercial establishments.

Assembly Step

STEP 1

Align Mirror Support Rail to the Dresser. Fasten the Support Rails.



STEP 2

Fasten the Mirror Support Rails and Mirror.

