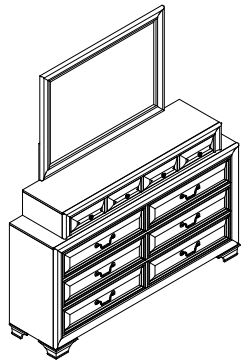


ITEM NO: C2192R-N04-10XX/C2192R-050-MBXX DRESSER/MIRROR
ITEM NO: C2196R-N04-XXX10/C2196R-050-XXXMB DRESSER/MIRROR

Caution: Please read instructions thoroughly before unpacking assembly parts. Sharp, exposed staple tips can cause injury, therefore, for your protection, please remove any exposed staple used in packing.

1. We recommend that you should assemble this product with the assistance of another person; this will make assembly easier, and will help to eliminate damage to the product or injury to persons during assembly.
2. Be sure to check all packing materials carefully for small parts that may have come loose inside the carton during shipment.
3. please do not over tighten screws or bolts.
4. Please put all parts on a non-abrasive floor before assembly, and follow the assembly steps to assemble your newly purchased product correctly and efficiently.

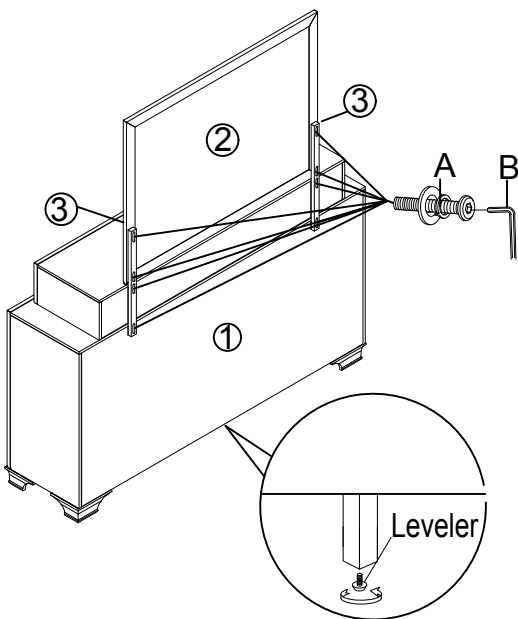


HARDWARE LISTS			
No.	OUTLOOK	SIZE	Q'TY
A		JCBC Bolt 1/4"X20X32mm	8PCS
		Lock Washer 1/4"	8PCS
		Flat Washer 1/4"X19mmX1mm	8PCS
B		Allen Key	1PC
C		Tipping Restraint	1SET

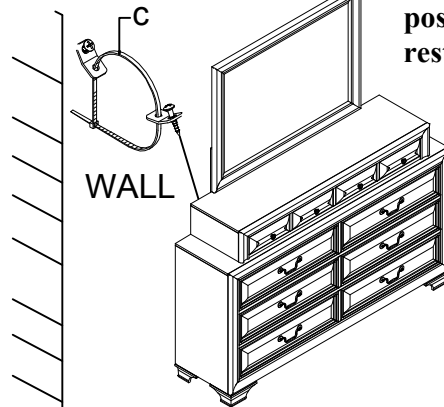
TOOLS REQUIRED (NOT PROVIDED)	
PHILLIPS SCREWDRIVER	

PART LISTS:			
No.	Sketch	Description	Quantity
1		DRESSER	1PC
2		MIRROR	1PC
3		MIRROR SUPPORTS	2PCS

STEP 1



STEP 2



Move the Dresser into final position and use tipping restraint attach to wall

Completed

