



PNWD

Assembly Instructions

Manufactured for
Rooms To Go

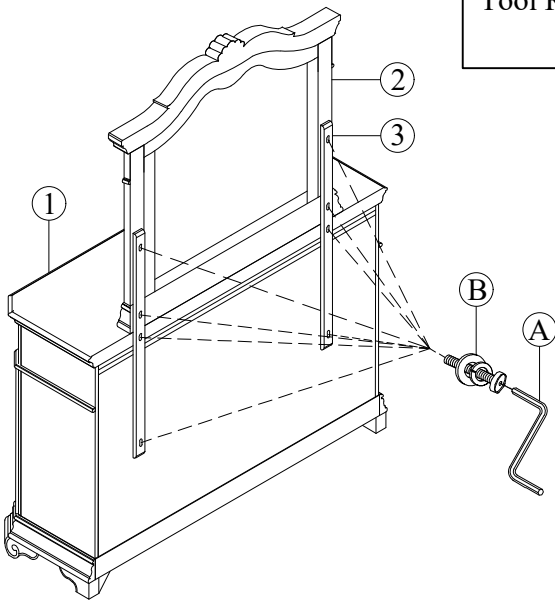
2257-M
2257-DN

MIRROR
DRESSER

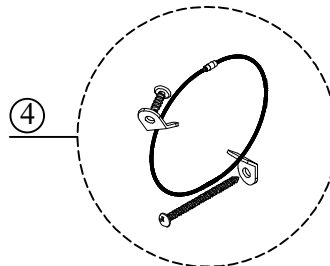
SKU# 3222577
SKU# 33122576

Step	Code	Hardware	Q'TY
	A	Allen Key	1Pc
1	B	Bolt 1/4" x 20 x 1 1/2"	8Pcs
		Spring Washer 1/4" dia.	8Pcs
		Flat Washer 1/4" dia.	8Pcs

Tool Required: Philip screwdriver
(not provided)



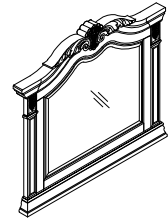
Anti-tip restraint



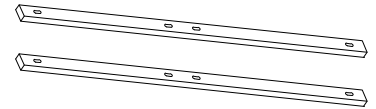
PARTS LIST



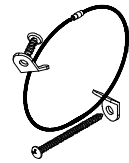
1. Dresser - 1Pc



2. Mirror - 1Pc

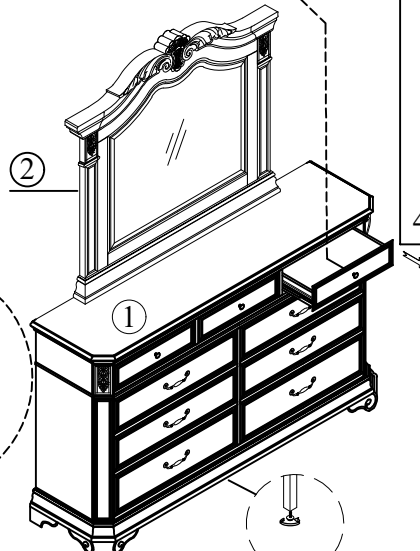
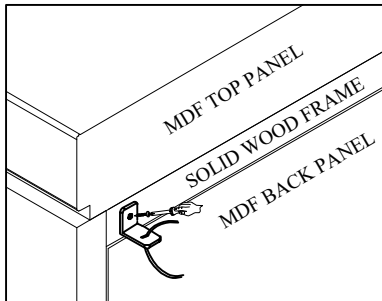


3. Mirror Support - 2Pcs



4. Anti-tip Restraint - 1 Set

* Remarks: Tipping Restraint kit provided must be install to solid woodback frame only. Do not install to mdf top panel or MDF back panel.



HARDWARE PACK LOCATION(S):
PNWD

2257-M MIRROR
2257-DN DRESSER

SKU# 3222577
SKU# 33122576