



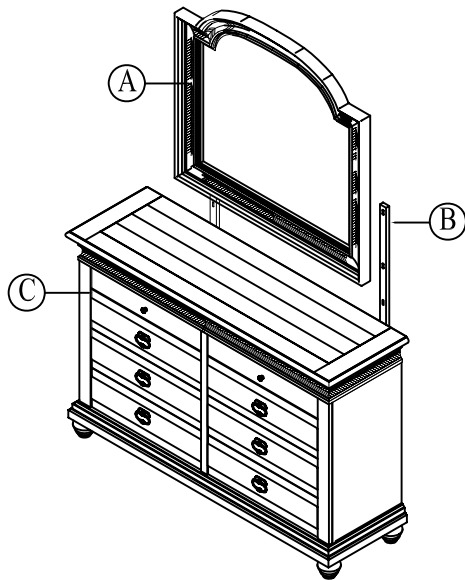


Thank you for purchasing this quality product. Be sure to check all packing material carefully for small parts, which may have come loose inside the carton during shipment. Identity and count all parts and compare with the Hardware List below.

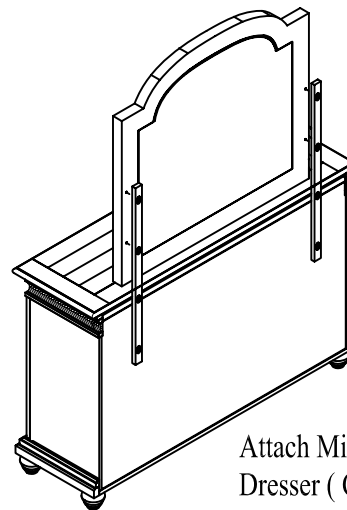
Part List	No.	Description	Qty
	A	Mirror	1 Pc
	B	Support Mirror	2 Pcs
	C	Dresser	1 Pc

Hardware List	No.	Picture	Description	Dimension	Qty
	1		Bolts	M6 x 1 x 40 mm	8 Pcs
	2		Lock washer	Ø14/Ø7 x 1.6 mm	8 Pcs
	3		Flat Washer	Ø16/ Ø7x1 mm	8 Pcs
4		Allen Key	4 x 60 mm	1 Pc	

PART DETAIL

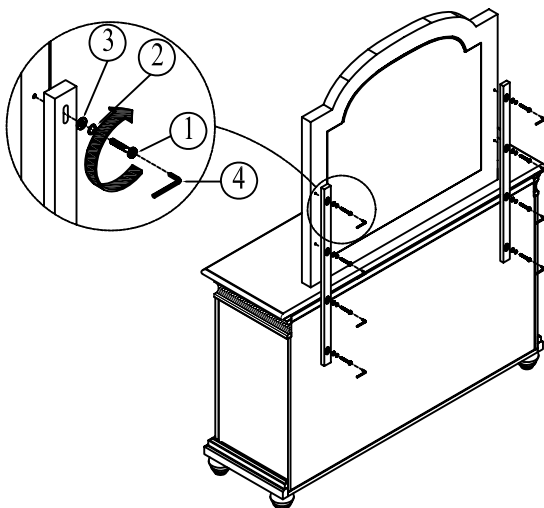


STEP 1



Attach Mirror (A) on the Dresser (C)

STEP 2



Assembly Completely

