






Assembly Instruction

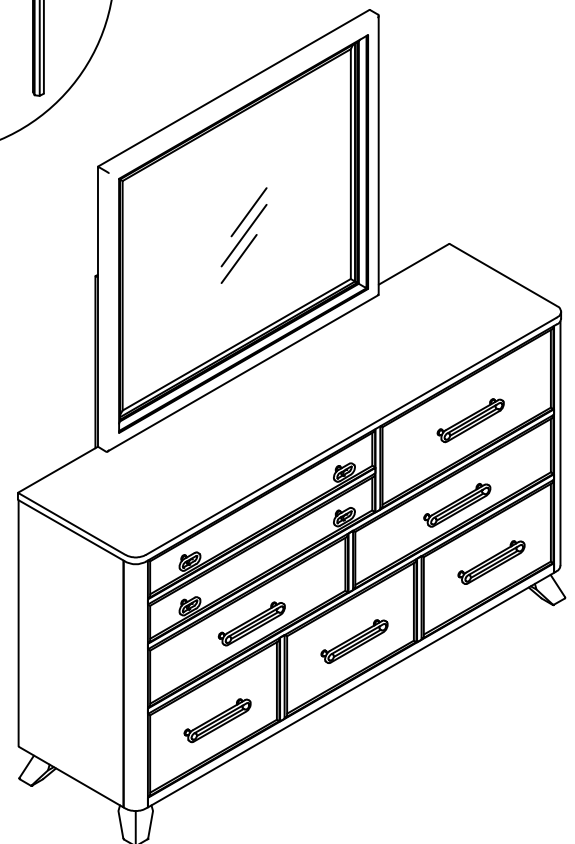
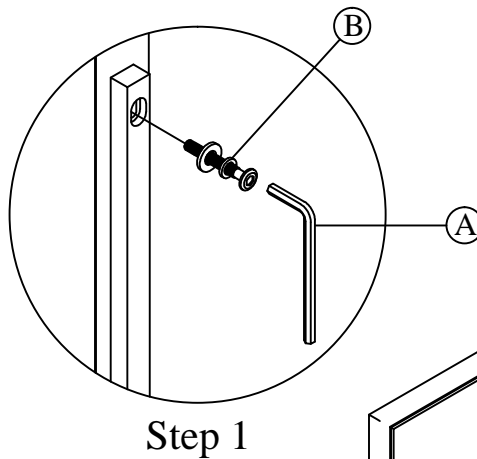
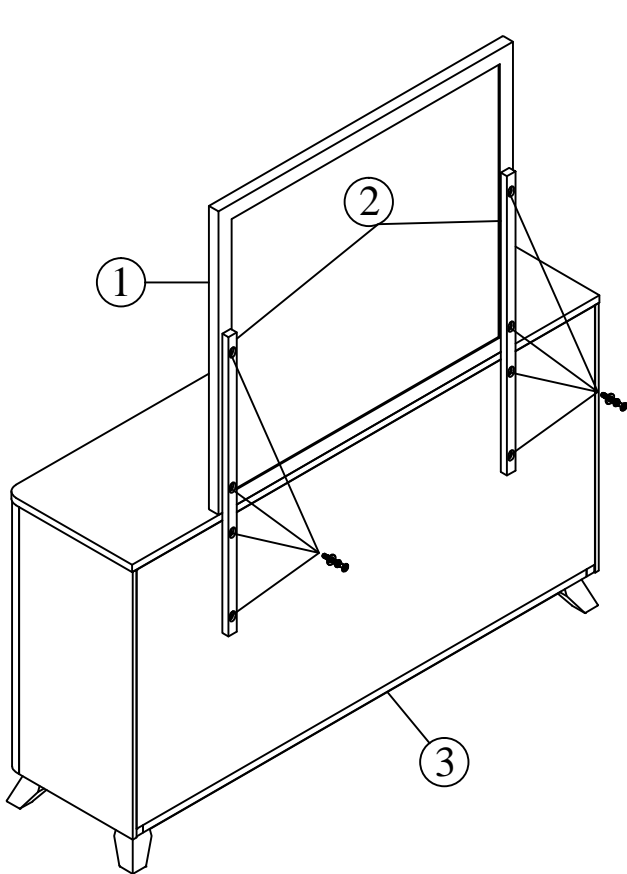
STOF 2681-510 MIRROR
 STOF 2681-110 DRESSER

SKU NO.: 32226816
 SKU NO.: 32126814

Thank you for purchasing this quality product. Be sure to check all packing material carefully for small parts, which may have come loose inside the carton during shipment. Identify and count all parts and compare with the part list below.

Step	Code	Hardware	Q'TY
	A	 Allen Key 4x74x29mm	1Pc
1	B	 Bolt 1/4" x 11.5 x 32mm	8Pcs
		Spring Washer 1/4" x 11 x 2mmT	8Pcs
		Flat Washer 1/4" x 18 x 2mmT	8Pcs

Step	Code	Parts List	Q'TY
1	1	Mirror 	1Pc
1	2	Mirror Support (Packed With Mirror) 	2Pcs
1	3	Dresser 	1Pc



Step 1: With another person's assistance, lift the mirror (1) and attach mirror support (2) into position on top of the dresser (3). Secure the mirror in place by using allen key (A), and bolt with spring washer & flat washer (B).

Hardware Pack Location:

MIRROR, SKU NO.: 32226816

CLEANING INSTRUCTION: Clear with a soft cloth and warm water with a diluted mild detergent. Follow with a soft cloth and clear water rinse . Then dry thoroughly with a soft cloth.

MADE IN VIETNAM