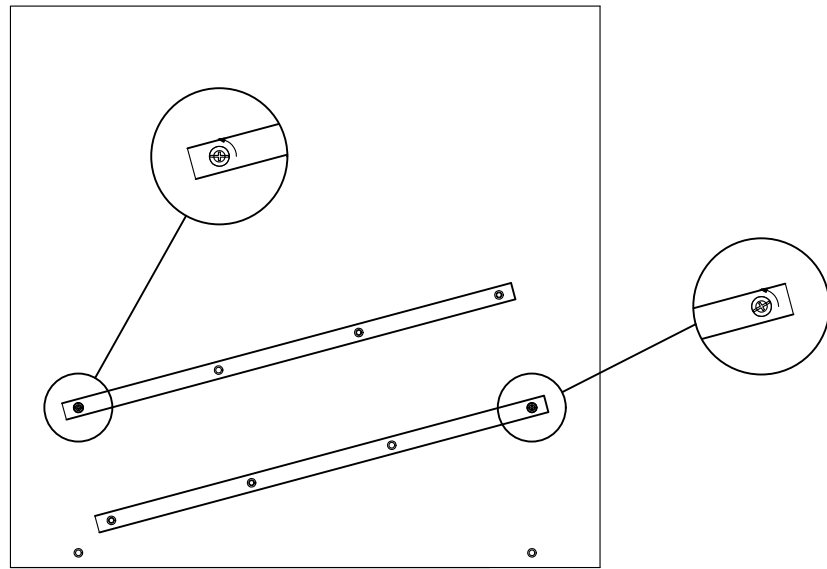
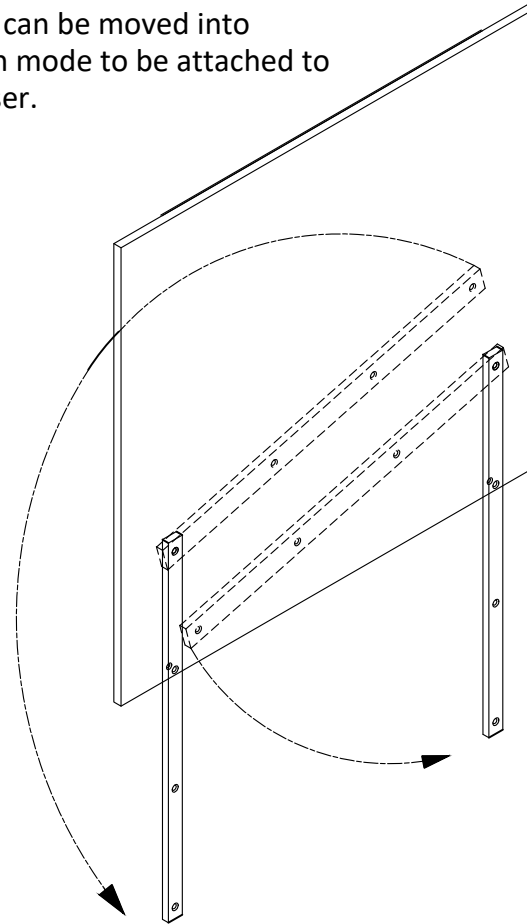


**3** Insert the screws into the second hole to secure the supports into the top section of the mirror.

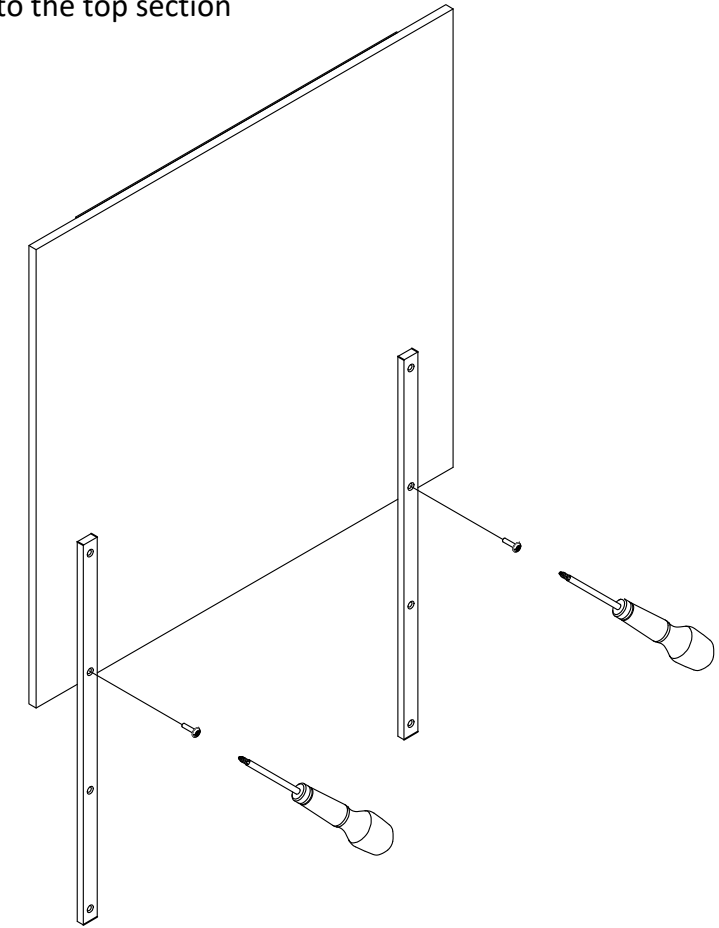
**1** The mirror supports are already attached to the mirror.



**2** Loosen the screws so that the supports can be moved into extension mode to be attached to the dresser.

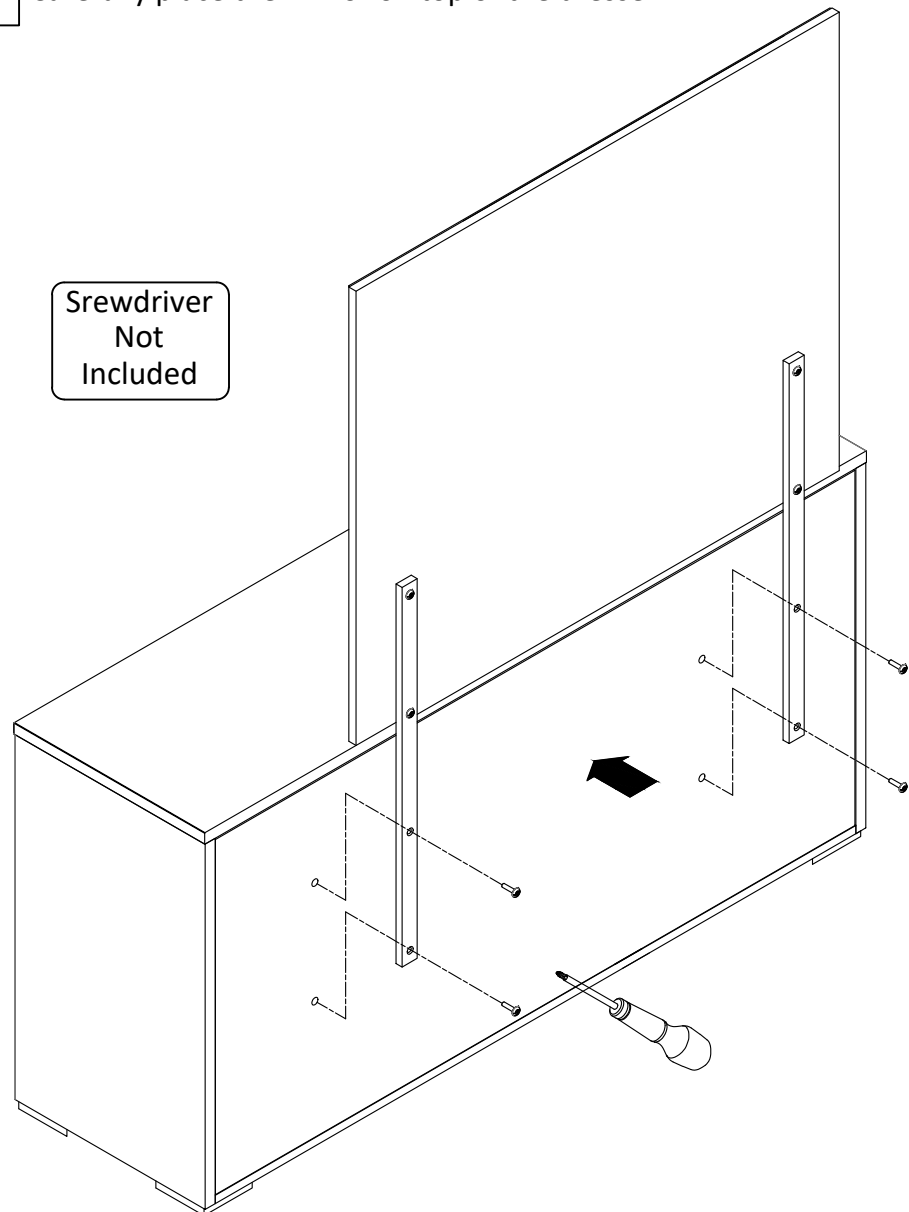


Screwdriver  
Not  
Included



**4** Carefully place the mirror on top of the dresser

Screwdriver  
Not  
Included



**5** Insert the screws into the dresser.  
Ensure that all screws are tight and mirror is secure.

