

Assembly Instruction




HMIS 3320-50 DRESSER


SKU # 32133201

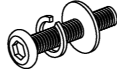


HMIS 3320-55 MIRROR

SKU # 32233203

***Caution: Please read all instructions carefully before starting the assembly process. These parts are cumbersome and heavy. Therefore, two people are recommended in order to prevent personal injury and ensure the parts are not damaged during the assembly.

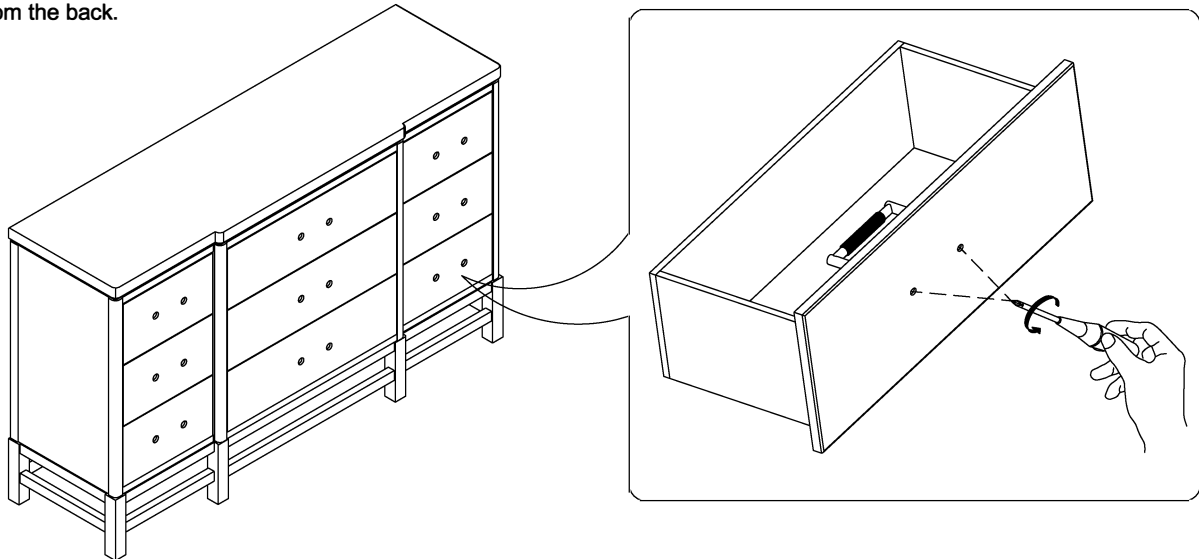
Code	PARTS LIST		
A	Dresser		1Pc
B	Mirror		1Pc
C	Bracket		2Pcs

TOOLS REQUIRED (NOT PROVIDED)	
Description	Sketch
Phillips screwdriver	

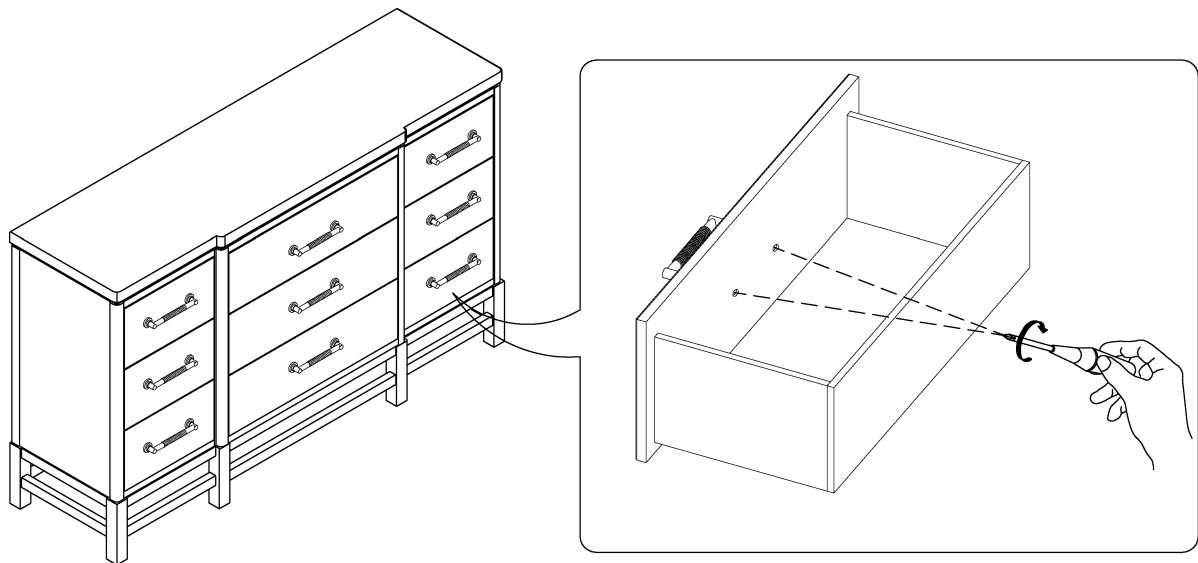
Step	Code	Hardware List	
3	D	Allen Bolt - Ø1/4x18x38mm	 8Pcs
		Flat washer - Ø5/16x22x1.5mm	8Pcs
		Lock washer - Ø1/4	8Pcs
3	E	Allen Key - 4mm	 1Pc
		Screw - #8x3x50mm	1Pc
4	F	Screw - #8x3x15mm	1Pc
		Metal Anchor - 1.2x15x15mm	2Pcs
		Restrain Strap - 5x7x250mm	1Pc
		Fisher - Ø1/4x40mm	1Pc
			

- STEP 1 : Use a screwdriver to remove the two bolts.
 STEP 2 : Bring the handle to the outside and then use a screwdriver to lock the two bolts.
 STEP 3 : Install the Mirror (B) onto the Dresser (A) with 2 Brackets (C) from the back.
 STEP 4 :

STEP 1



STEP 2



Hardware Pack Location(S):
 HMIS 3320-55 MIRROR

SKU # 32133201

This product is manufactured by HMIS for

ROOMS TO GO ►

MADE IN VIETNAM

1 OF 2

Assembly Instruction

HMIS 3320-50 DRESSER

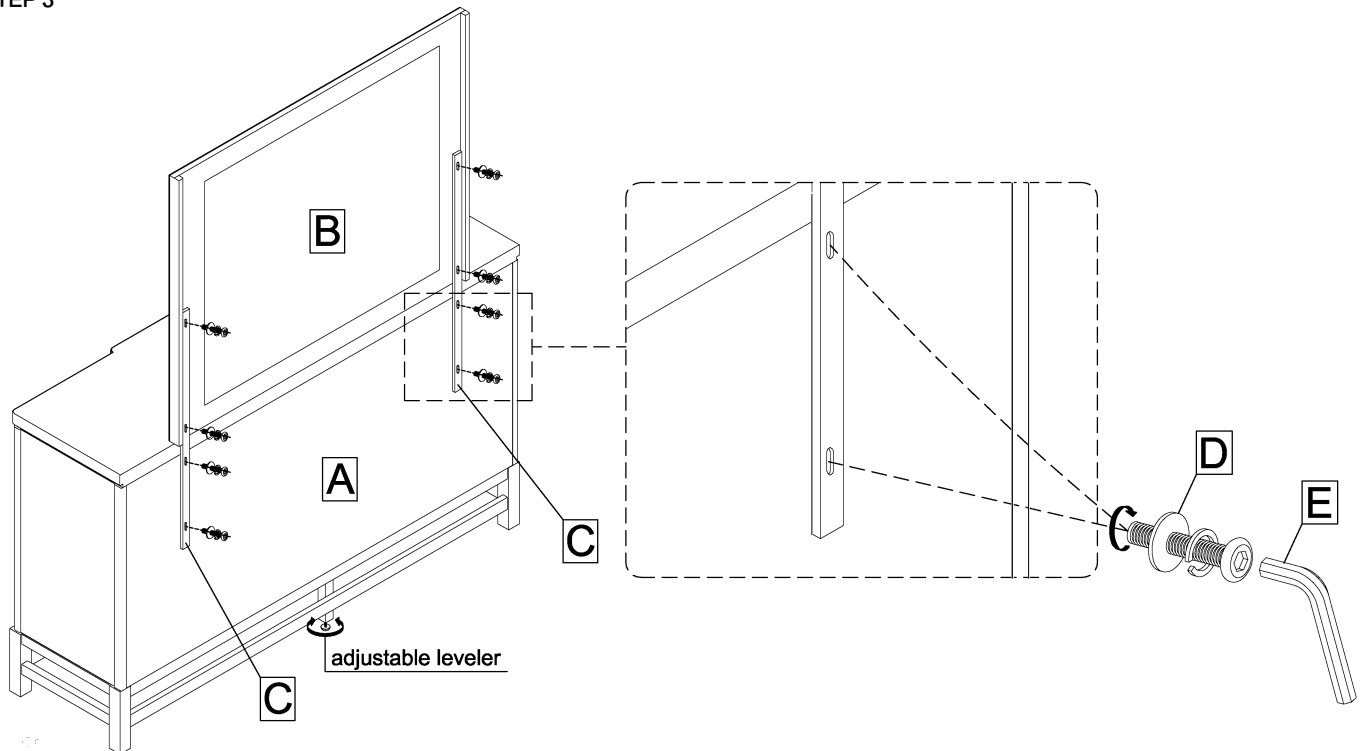
SKU # 32133201

HMIS 3320-55 MIRROR

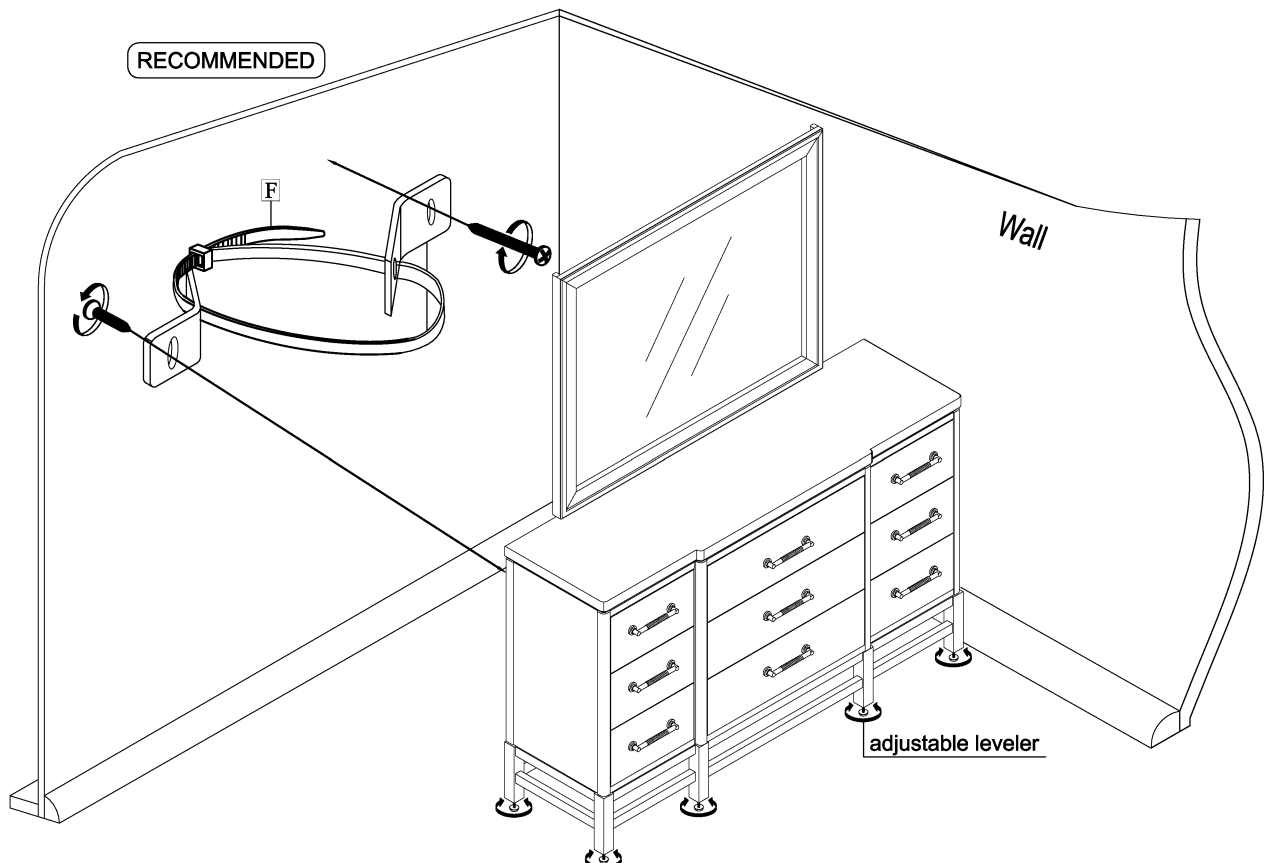
SKU # 32233203

***Caution: Please read all instructions carefully before starting the assembly process. These parts are cumbersome and heavy. Therefore, two people are recommended in order to prevent personal injury and ensure the parts are not damaged during the assembly.

STEP 3



STEP 4



This product is manufactured by HMIS for

ROOMS TO GO ►