



# Assembly Instructions

PULA 3363-110 Mirror - SKU# 32233633

Manufactured by PULA for Rooms To Go

**\*\*\* Caution : Please read all instructions carefully before starting the assembly process. These parts are cumbersome and heavy. Therefore, two people are recommended in order to prevent personal injury and insure the parts are not damaged during the assemble.**

## PARTS LIST

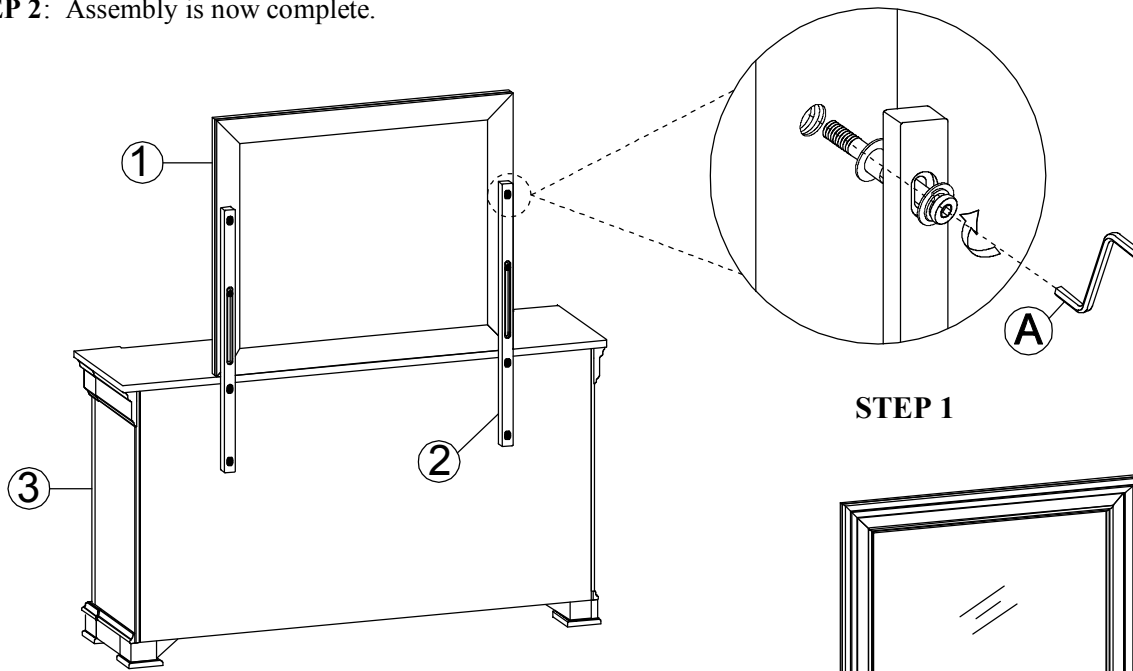
No.	Description	Sketch	Q'ty
1	Mirror		1 Pc
2	Mirror Support		2 Pcs
3	Dresser		1 Pc

## HARDWARE LIST

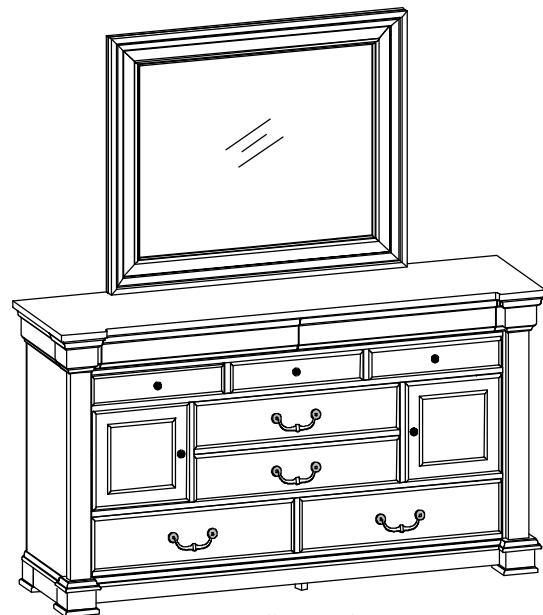
No.	Description	Size	Sketch	Q'ty
A	Allen Key Z	M4		1 Pc

**STEP 1:** Attached the Mirror (1) to the Dresser (3) with Mirror support (2). Use the Allen key (A) from the Hardware package to tighten the allen bolts to the mirror. Allen bolt is already attached to the mirror support.

**STEP 2:** Assembly is now complete.



**STEP 1**



**STEP 2**

**Hardware Pack Location (s): Bolts pack at Mirror**

Mirror SKU# 32233633

Version#1 - 12/20/2023