



ASSEMBLY INSTRUCTIONS

GLOB 3736-1 DRESSER

SKU# 32137362

GLOB 3736-2 ROUND MIRROR

SKU# 32237364

Manufactured by GLOB for Rooms To Go

Parts Key

No	Code	Q'TY	Description
1	3736-1	1pc	Dresser
2	3736-2	1pc	Round Mirror
3		1pc	Mirror support

Hardware kit 3736-2

STEP	CODE	HARDWARE	Q'TY
1	A	Allen Wrench 	1pc

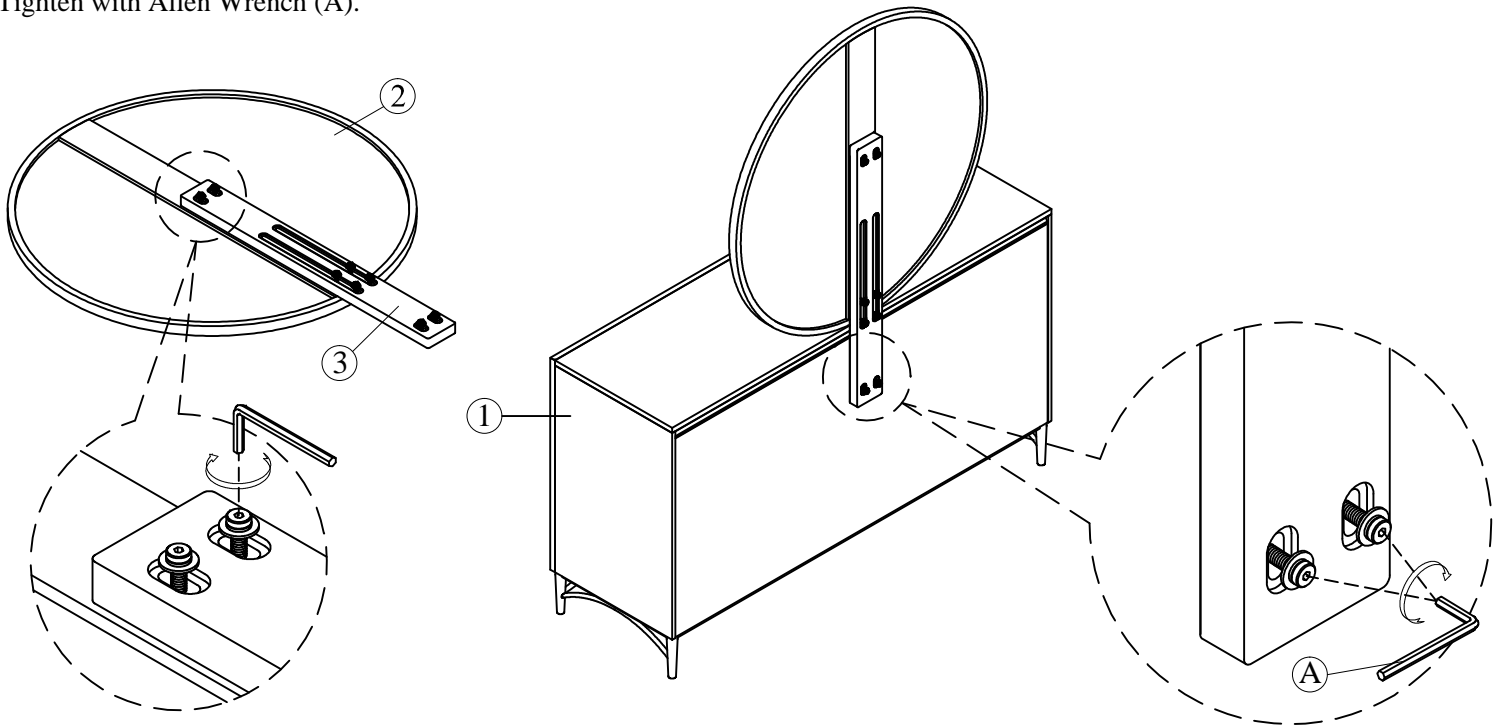
1. We recommended that you should assemble this product with assistance of another person; this will make assembly easier and will eliminate damage to the product or injury to persons during assembly.

2. Please do not over tighten screws or bolts until assembly is complete.

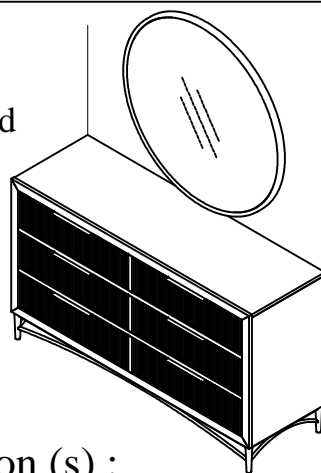
3. Please put all parts on a non-abrasive floor before assembly, and follow assembly steps to assemble your newly purchased product correctly and efficiently.

STEP 1:

Tighten with Allen Wrench (A).



Completed



WALL

Hardware Pack Location (s) :

Round Mirror , SKU# 32237364