

Assembly Instructions


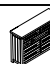

SLAW 135-4788/4790-010N Dresser
 SLAW 135-4788/4790-030 Mirror w/hrdw for dresser

SKU# 33147883/33147908
 SKU# 32247884/32247909

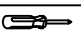
This product is manufactured by SLAW for

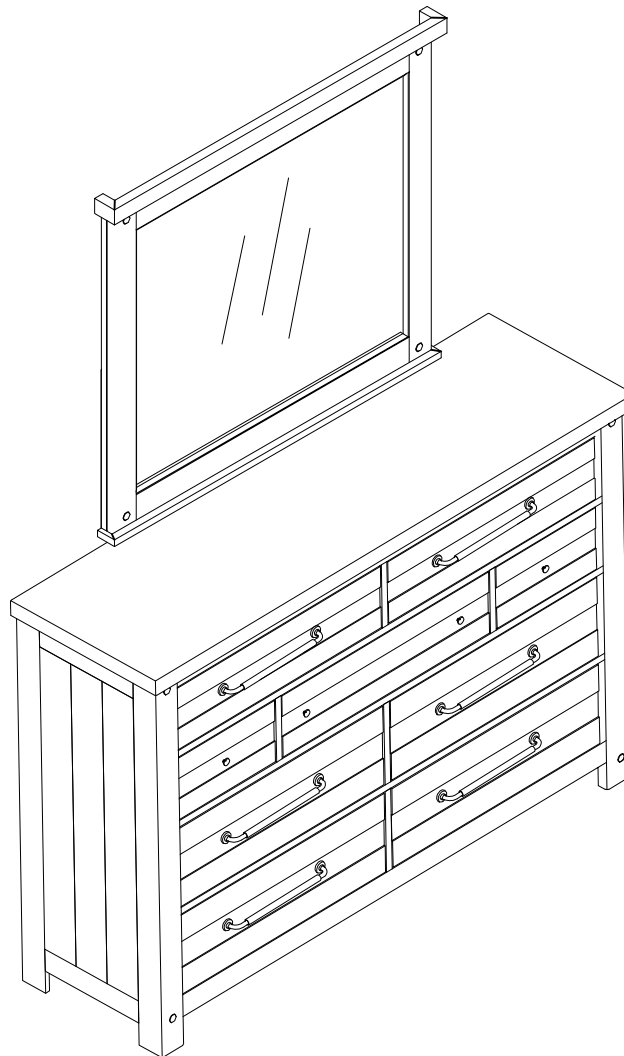
ROOMS TO GO ►

*****Caution:** Please read all instructions carefully before starting the assembly process. These part are cumbersome and heavy. Therefore, two people are recommended in order to prevent personal injury and ensure the parts are not damaged during the assembly.

| Code | PART LIST | | |
|------|----------------|---|------|
| 1 | Mirror |  | 1PC |
| 2 | Dresser |  | 1PC |
| 3 | Mirror support |  | 2PCS |

| Step | Code | HARDWARE LIST | | |
|------|------|-----------------------------|---|------|
| 1 | A | Furniture Tipping Restraint |  | 1set |
| | B | 4mm Allen key |  | 1pc |

| TOOLS REQUIRED (NOT PROVIDED) | |
|-------------------------------|---|
| Description | Sketch |
| Phillips Screwdriver |  |



Anti Tipping Kit Location(s):

135-4788/4790-010N Dresser
 Top right drawer inside

Hardware Pack location(s)

135-4788/4790-030 Mirror

SKU# 33147883/33147908

SKU# 32247884/32247909

Assembly Instructions

SLAW 135-4788/4790-010N Dresser
SLAW 135-4788/4790-030 Mirror w/hrdw for dresser

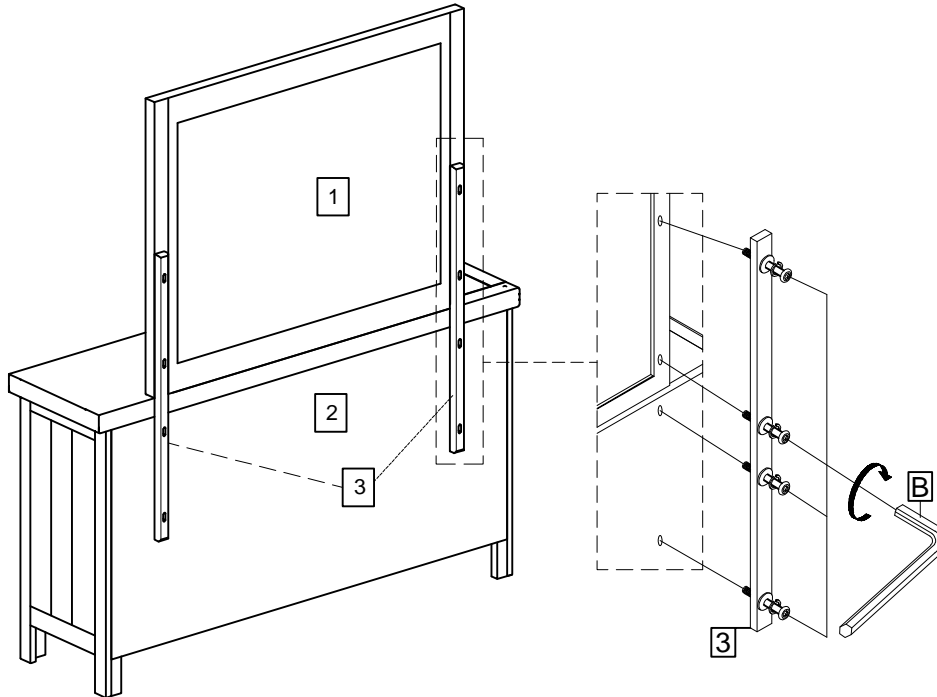
SKU# 33147883/33147908
SKU# 32247884/32247909

This product is manufactured by SLAW for

ROOMS TO GO ▶

***Caution: Please read all instructions carefully before starting the assembly process. These parts are cumbersome and heavy. Therefore, two people are recommended in order to prevent personal injury and ensure the parts are not damaged during the assembly.

STEP 1



NOTES: Bolts were already pre-installed on the mirror brackets
Install the Mirror (1) onto the Dresser (2) with 2 Mirror support (3)
from the back using allen key (B).

STEP 2

