





# Assembly Instructions

NCHF 5213-2MR MIRROR - SKU# 32252138

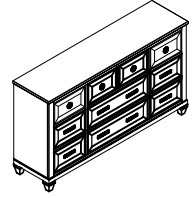
NCHF 5213-1DR DRESSER - SKU# 32152136

Manufactured by NCHF for Rooms To Go

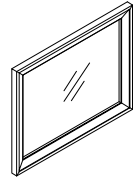
VERSION 1-2024/03/19

Step	Code	Hardware	Q'TY
1	A	4MM Allen Key 	1 Pc
2	B	Anti-tip Restraint 	1 Set

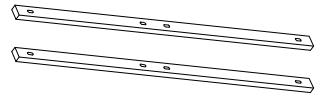
## PARTS LIST



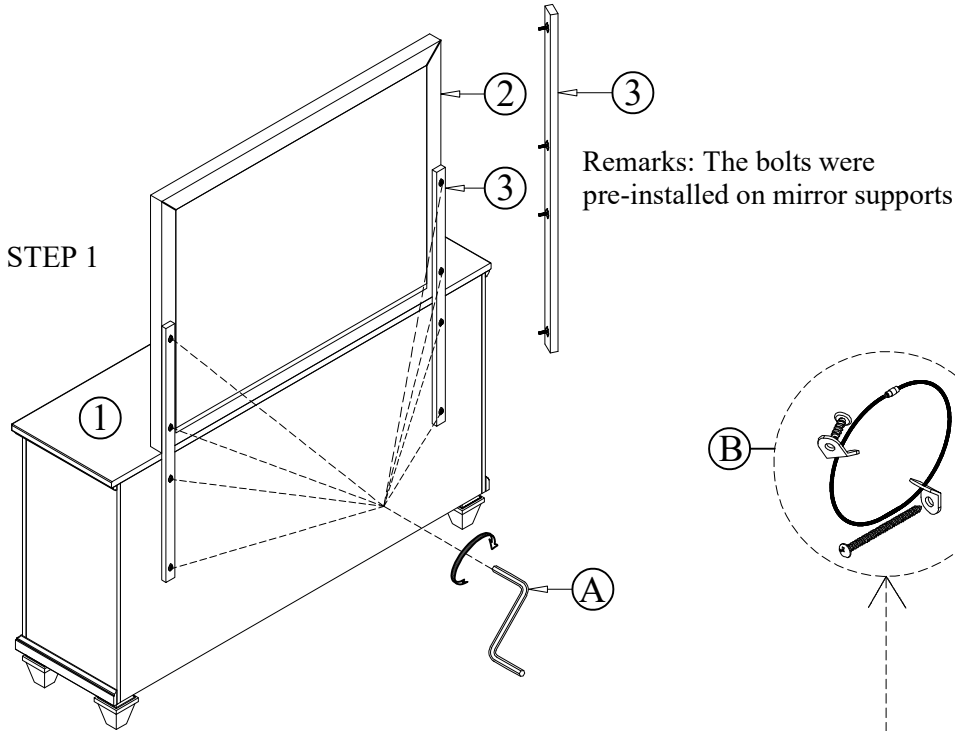
1. Dresser - 1 Pc (Sold separately)



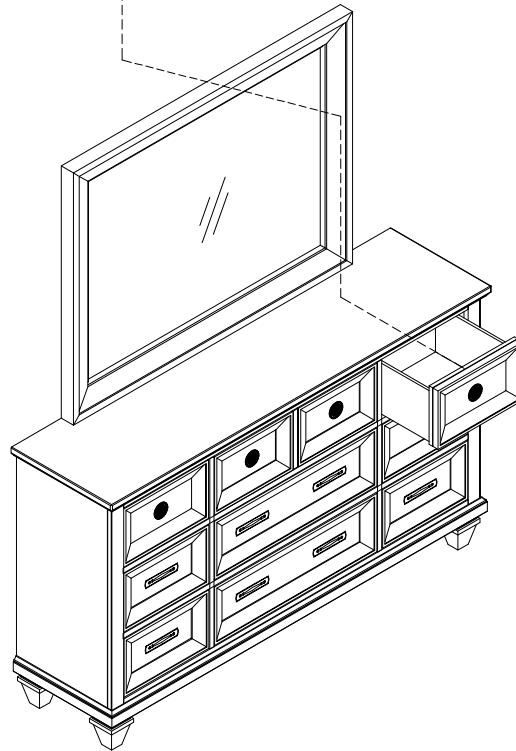
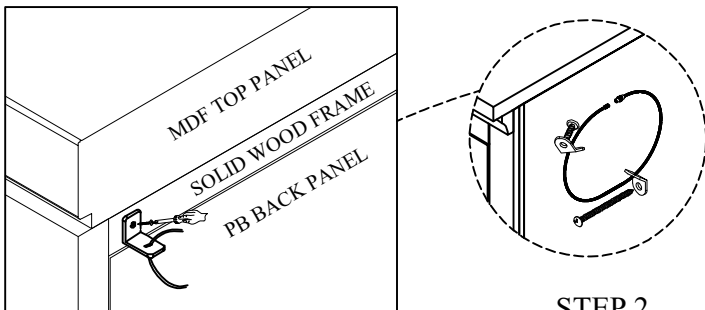
2. Mirror - 1 Pc




3. Mirror Support - 2 Pcs



**\*Remarks: Anti-tip hardware customer assembly required.** Tipping Restraint kit provided must be install to solid woodback frame only. Do not install to MDF top panel or PB back panel.



### TOOL REQUIRED (NOT PROVIDED)

Description	Sketch
Phillips Screwdriver	

### HARDWARE PACK LOCATION(S):

NCHF 5213-2MR MIRROR - SKU# 32252138

NCHF 5213-1DR DRESSER - SKU# 32152136