





# ASSEMBLY INSTRUCTIONS

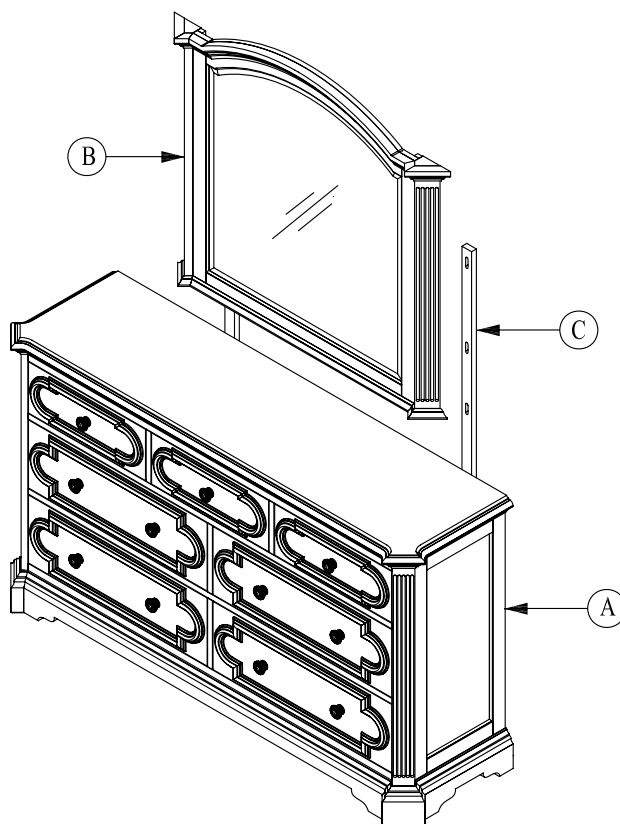
RCKF 5948-270 : DRESSER # SKU 32159483  
 RCKF 5948-040 : MIRROR # SKU 32259485

Thank you for purchasing this quality product. Be sure to check all packing material carefully for small parts, which may have come loose inside the carton during shipment. Identify and count all parts and compare with the Hardware List below.

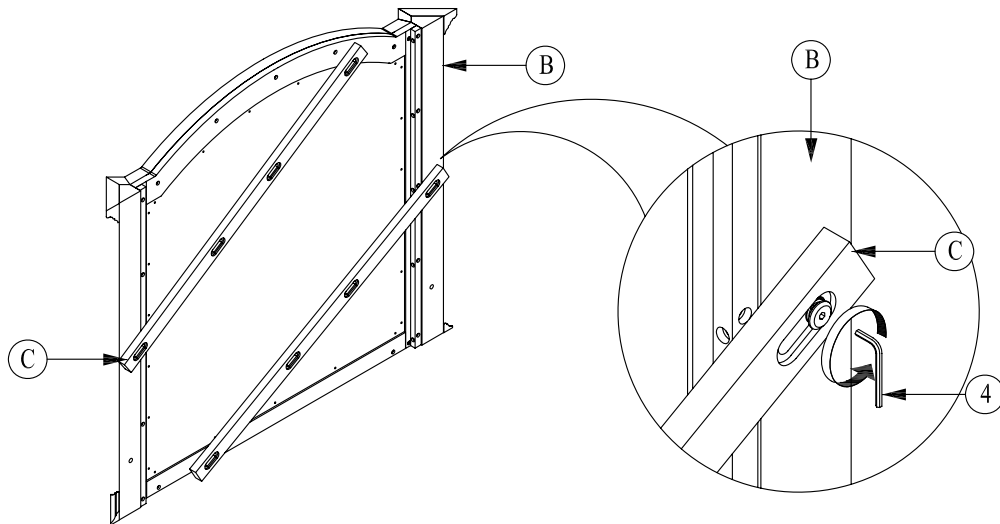
Part List	No.	Description	Qty
	A	Dresser	1 Pc
	B	Mirror	1 Pc
	C	Mirror Supports	2 Pcs

Hardware List	No.	Picture	Description	Dimension	Qty
	1		Bolts	Ø5/16 x 18 x 1 3/8"	6 Pcs
	2		Lock Washers	Ø8 x Ø14 mm	6 Pcs
	3		Flat Washers	Ø8 x Ø18 mm	6 Pcs
	4		Allen Key	5 x 60 mm	1 Pc

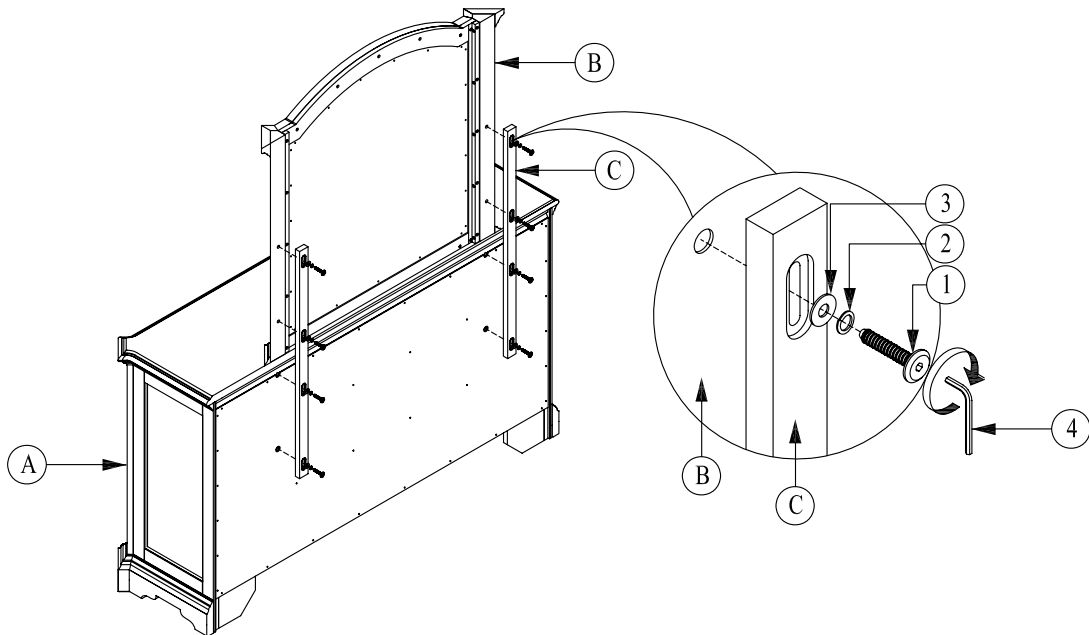
**PART DETAIL**



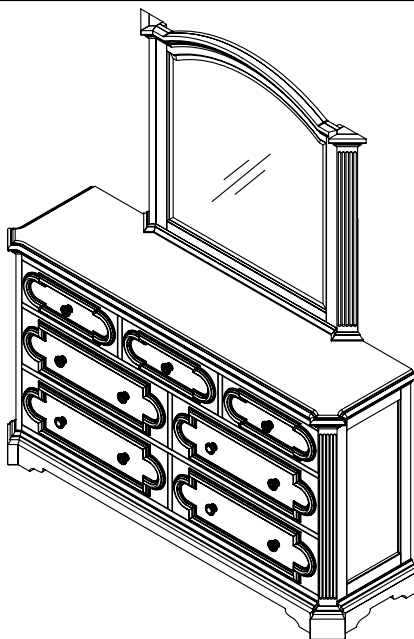
STEP 1 : Please release bolts on the mirror support



STEP 2



ASSEMBLY COMPLETE












## ASSEMBLY INSTRUCTIONS

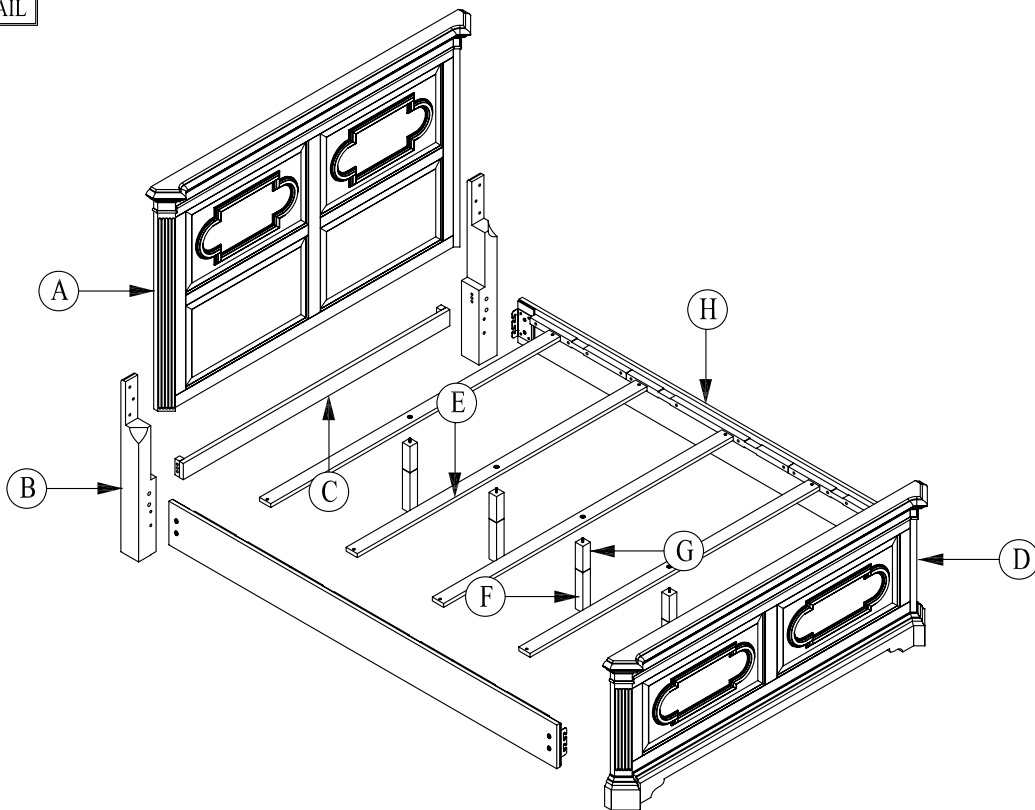
RCKF 5948-950 : QN HDBD # SKU 32359487  
 RCKF 5948-952 : QN FTBD # SKU 32759485  
 RCKF 5948-880 : QN/KG RAILS # SKU 32959489

Thank you for purchasing this quality product. Be sure to check all packing material carefully for small parts, which may have come loose inside the carton during shipment. Identify and count all parts and compare with the Hardware List below.

	No.	Description	Qty
<b>Headboard</b>	A	Headboard	1 Pc
	B	Legs (L - R )	2 Pcs
	C	Stretcher	1 Pc
<b>Footboard</b>	D	Footboard	1 Pc
	E	Slats	4 Pcs
	F	Regular Leg Supports	4 Pcs
	G	Leg extensions	4 Pcs
<b>Siderail</b>	H	Siderails	2 Pcs

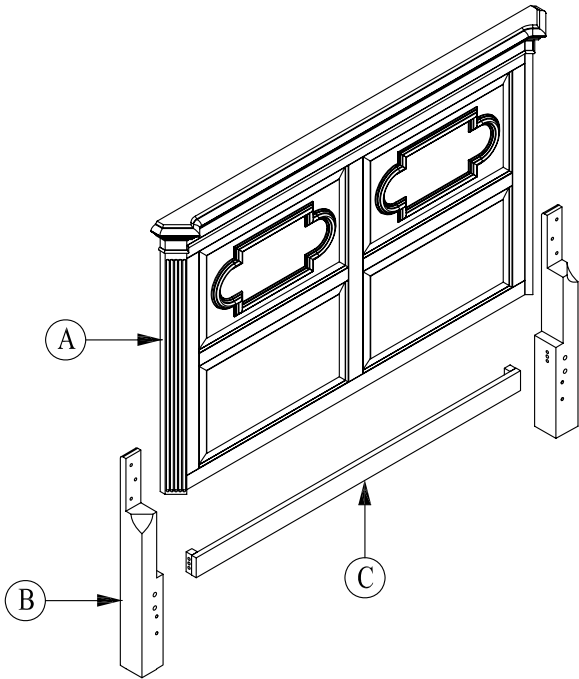
	No.	Picture	Description	Dimension	Qty
<b>Hardware List</b>	1		Screws	Ø8 x 32 mm	8 Pcs
	2		Bolts	Ø5/16 x 18 x 1 3/4"	8 Pcs
	3		Lock Washers	Ø8 x Ø14 mm	8 Pcs
	4		Flat Washers	Ø8 x Ø18 mm	8 Pcs
	5		Allen Key	5 x 60 mm	1 Pc
	6		Dowels	Ø10 x 40 mm	4 Pcs
	7		Phillip Headscrew Driver ( not included )		

### PART DETAIL

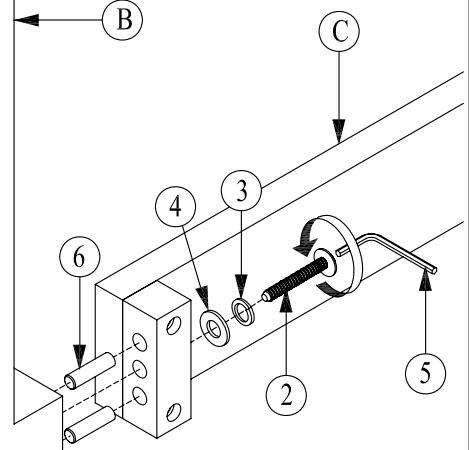


# ASSEMBLY STEP

## PART DETAIL

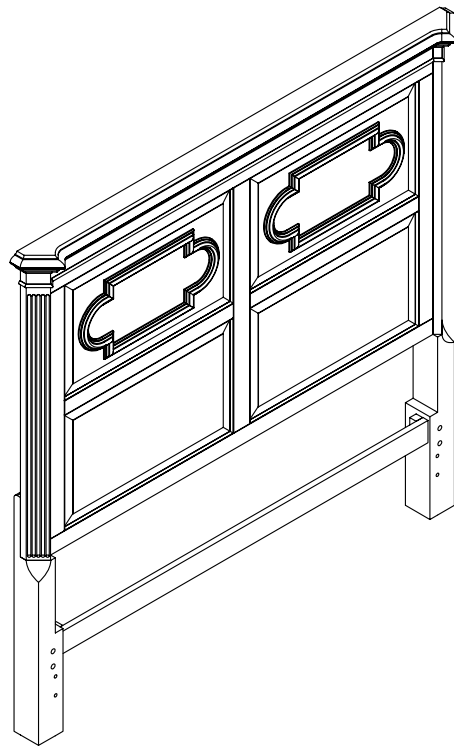
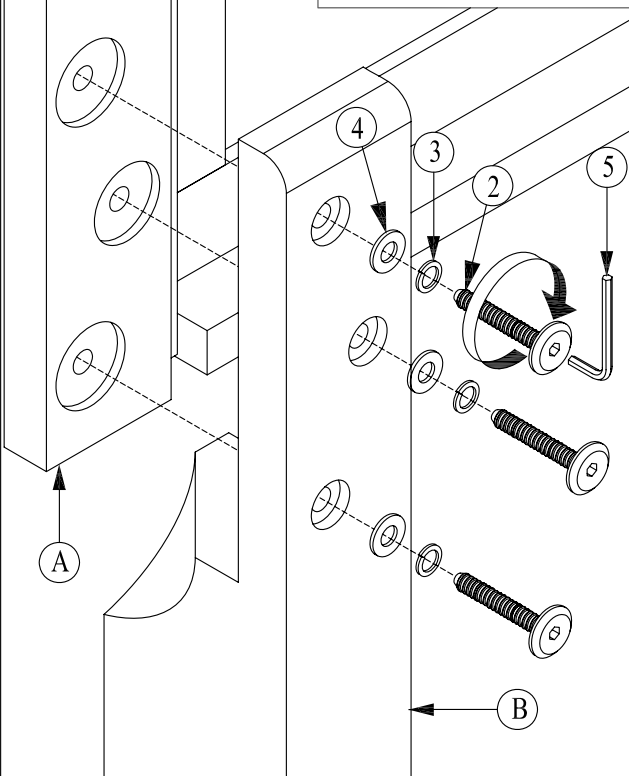


## STEP 1



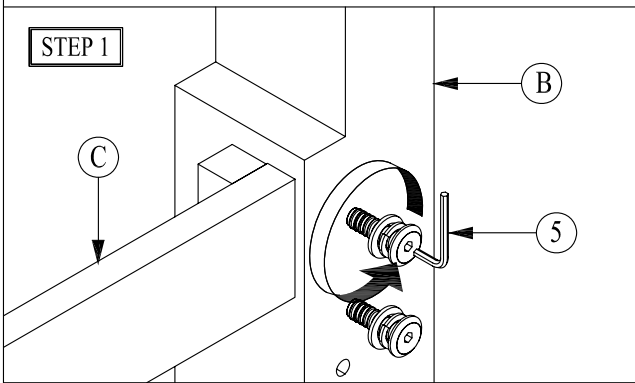
## STEP 2

**WARNING :**  
Do not tighten bolts 100%  
until assembly is complete

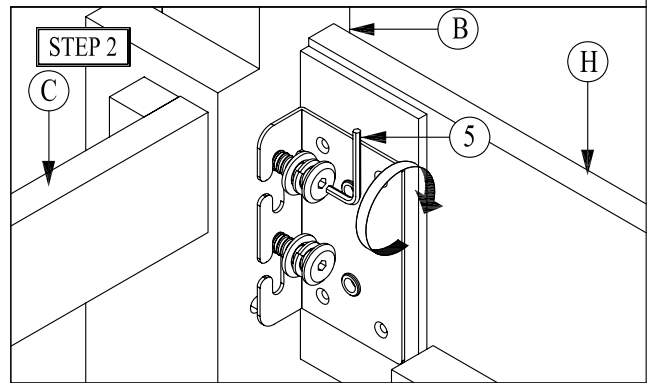


ASSEMBLY COMPLETE

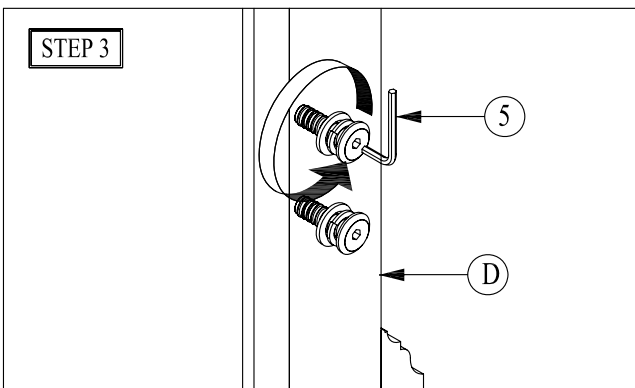
## ASSEMBLY STEP



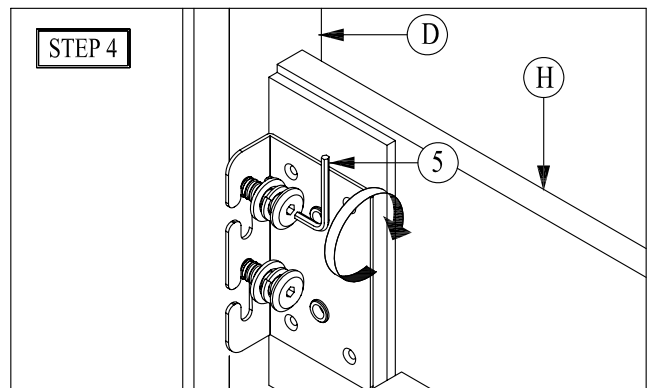
Slightly loose the Bolt on the Leg ( B )



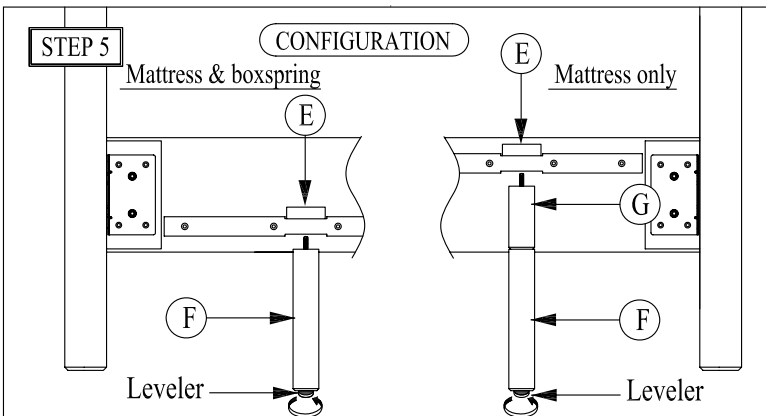
Attach Regular Siderail ( H ) to Leg ( B )



Slightly loose the Bolt on the Footboard ( D )

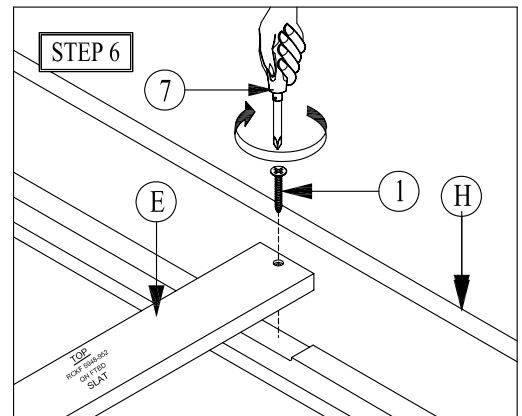


Attach Regular Siderail ( H ) to Footboard ( D )

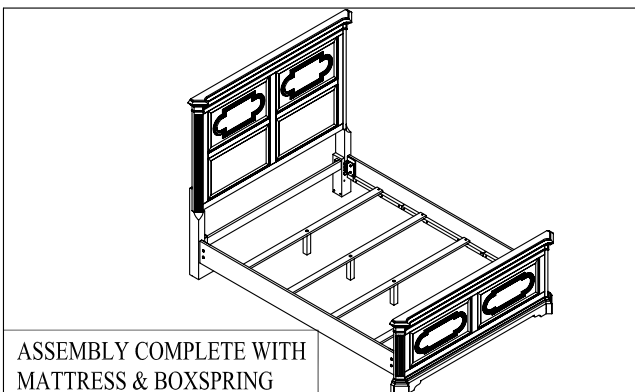


Tighten leg support ( F ) to slat ( E )

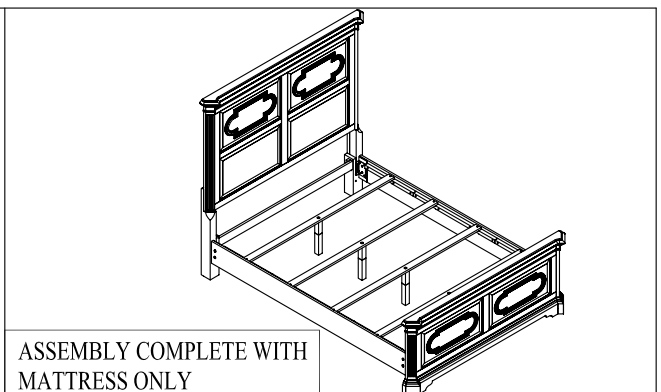
Tighten leg ext. ( G ) to slat ( E )



Attach Slats ( E ) to Siderail ( H ) using screw ( 1 ) with screw driver ( 7 ) follow pre-drill on the slats



ASSEMBLY COMPLETE WITH MATTRESS & BOXSPRING








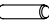

ASSEMBLY COMPLETE WITH MATTRESS ONLY

## ASSEMBLY INSTRUCTIONS

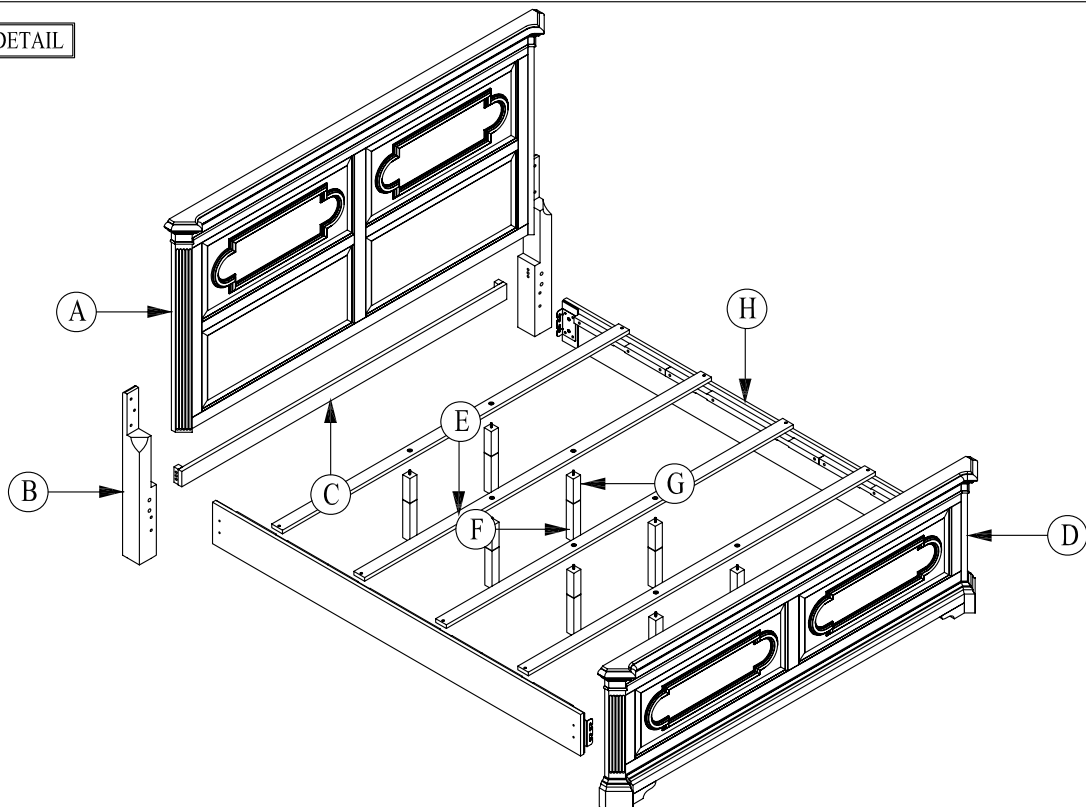
RCKF 5948-960 : KG HDBD # SKU 32459489  
 RCKF 5948-962 : KG FTBD # SKU 32859487  
 RCKF 5948-880 : QN/KG RAILS # SKU 32959489

Thank you for purchasing this quality product. Be sure to check all packing material carefully for small parts, which may have come loose inside the carton during shipment. Identify and count all parts and compare with the Hardware List below.

	No.	Description	Qty
<b>Headboard</b>	A	Headboard	1 Pc
	B	Legs (L - R )	2 Pcs
	C	Stretcher	1 Pc
<b>Footboard</b>	D	Footboard	1 Pc
	E	Slats	4 Pcs
	F	Regular Leg Supports	8 Pcs
	G	Leg extensions	8 Pcs
<b>Siderail</b>	H	Siderails	2 Pcs

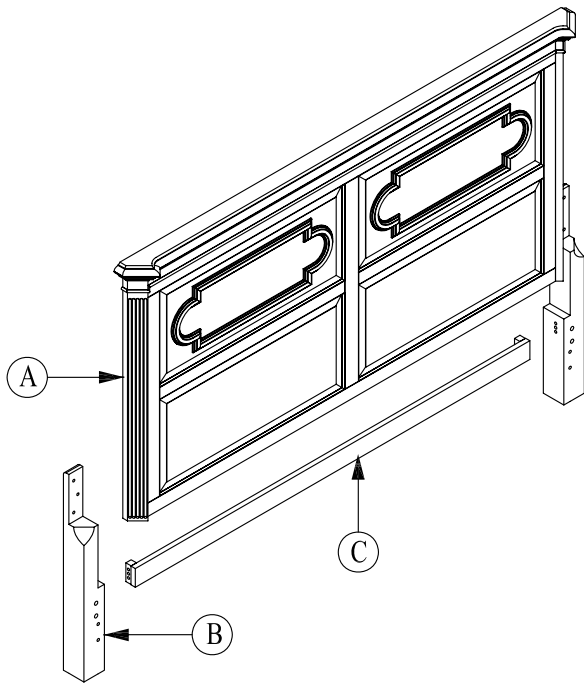
	No.	Picture	Description	Dimension	Qty
<b>Hardware List</b>	1		Screws	Ø8 x 32 mm	8 Pcs
	2		Bolts	Ø5/16 x 18 x 1 3/4"	8 Pcs
	3		Lock Washers	Ø8 x Ø14 mm	8 Pcs
	4		Flat Washers	Ø8 x Ø18 mm	8 Pcs
	5		Allen Key	5 x 60 mm	1 Pc
	6		Dowels	Ø10 x 40 mm	4 Pcs
	7		Phillip Headscrew Driver ( not included )		

### PART DETAIL

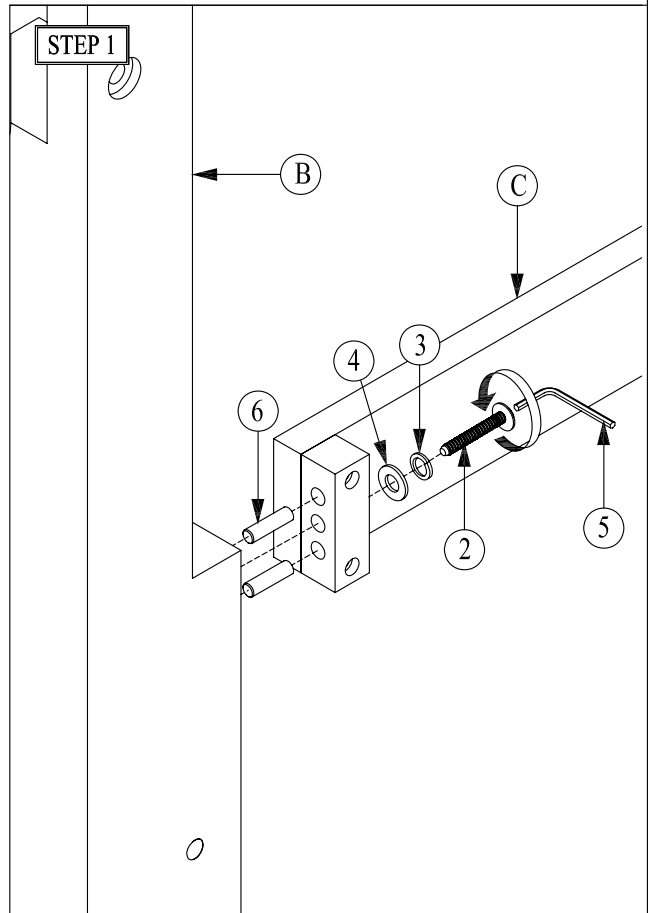


# ASSEMBLY STEP

## PART DETAIL

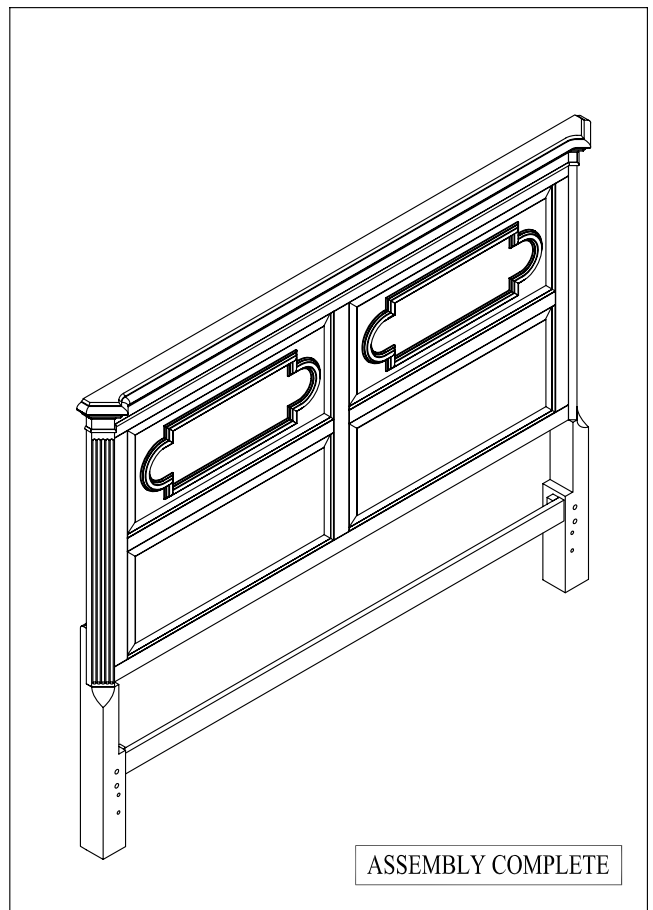
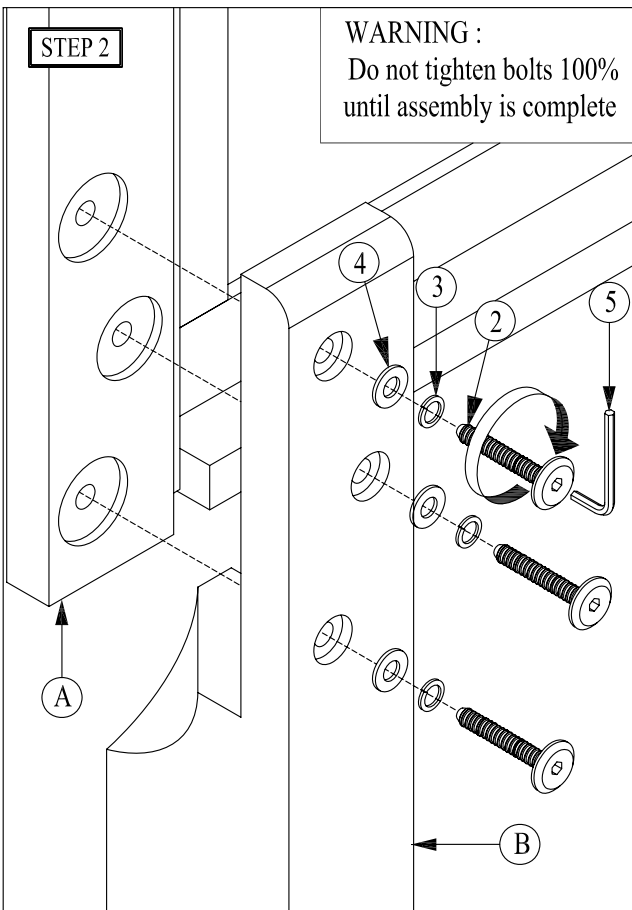


## STEP 1



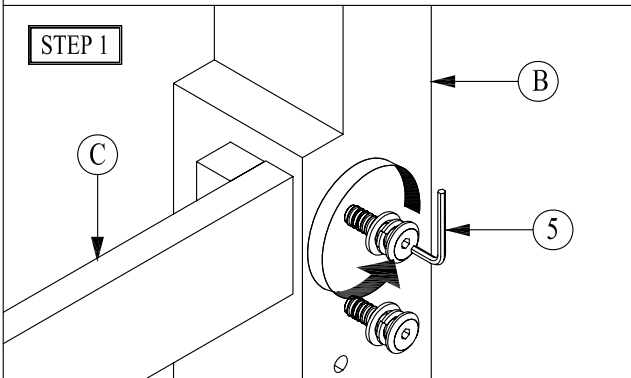
## STEP 2

**WARNING :**  
Do not tighten bolts 100%  
until assembly is complete

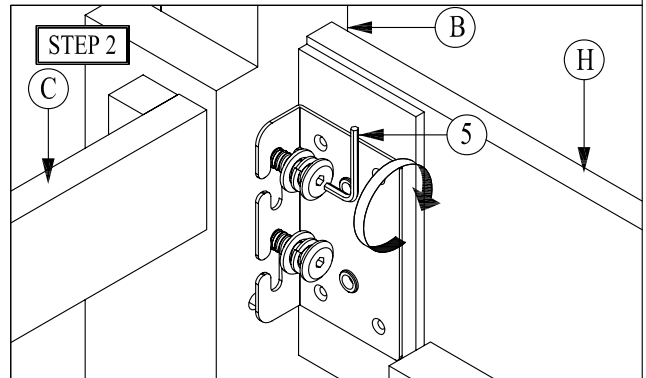


ASSEMBLY COMPLETE

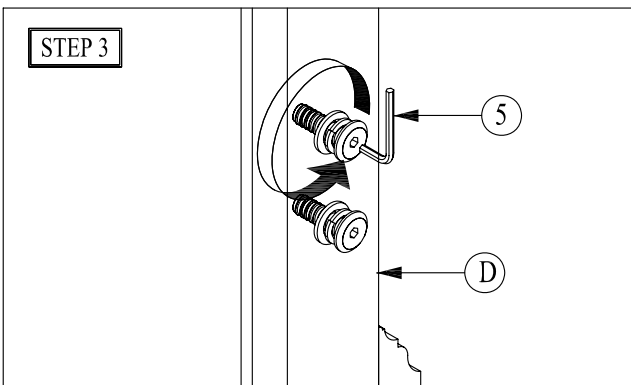
## ASSEMBLY STEP



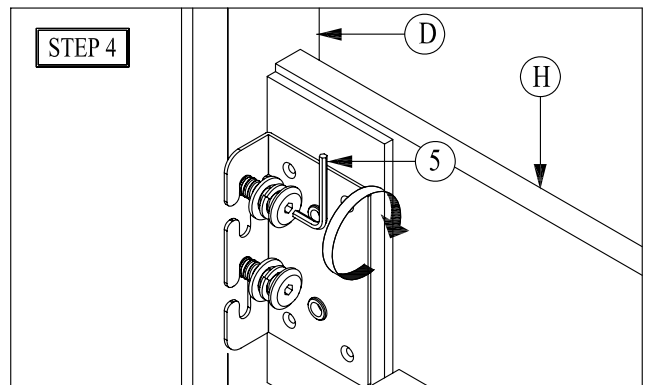
Slightly loose the Bolt on the Leg ( B )



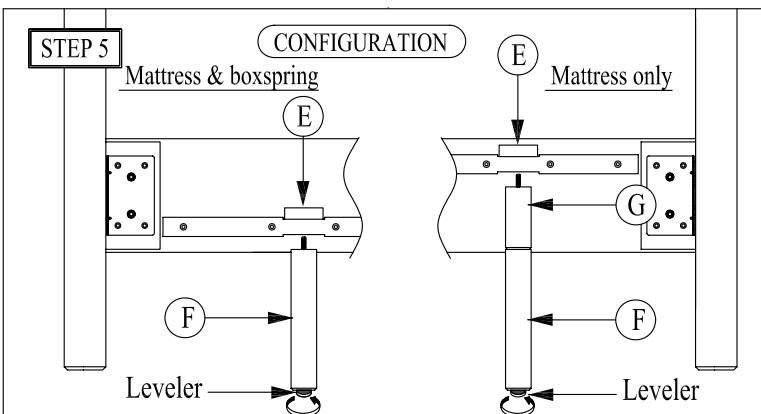
Attach Regular Siderail ( H ) to Leg ( B )



Slightly loose the Bolt on the Footboard ( D )

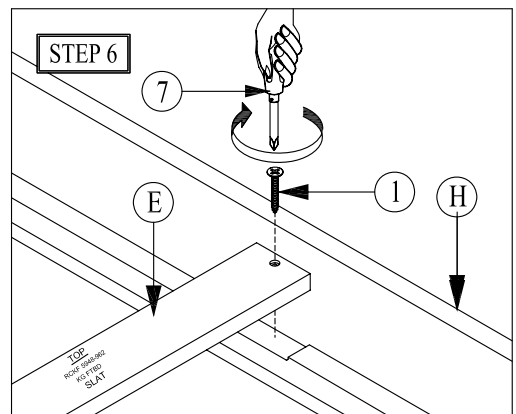


Attach Regular Siderail ( H ) to Footboard ( D )

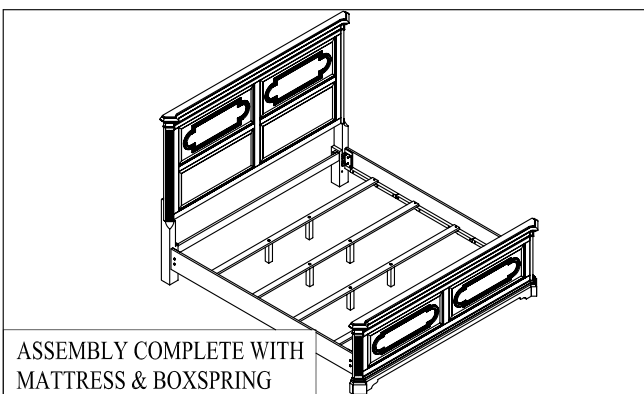


Tighten leg support ( F ) to slat ( E )

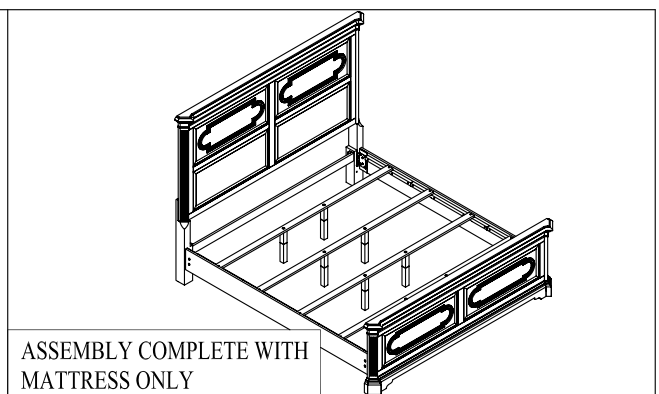
Tighten leg ext. ( G ) to slat ( E )



Attach Slats ( E ) to Siderail ( H ) using screw ( 1 ) with screw driver ( 7 ) follow pre-drill on the slats



ASSEMBLY COMPLETE WITH MATTRESS & BOXSPRING



ASSEMBLY COMPLETE WITH MATTRESS ONLY