



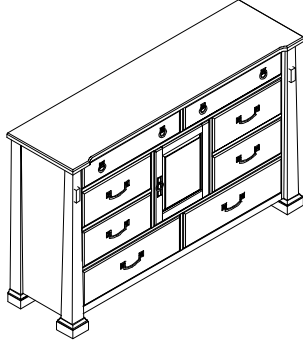
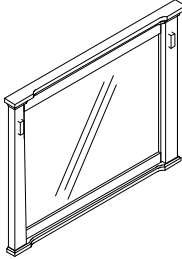



Thank you for purchasing this quality product. Be sure to check all packing material carefully for small parts, which may have come loose inside the carton during shipment. Identify and count all parts and compare with the Part List below

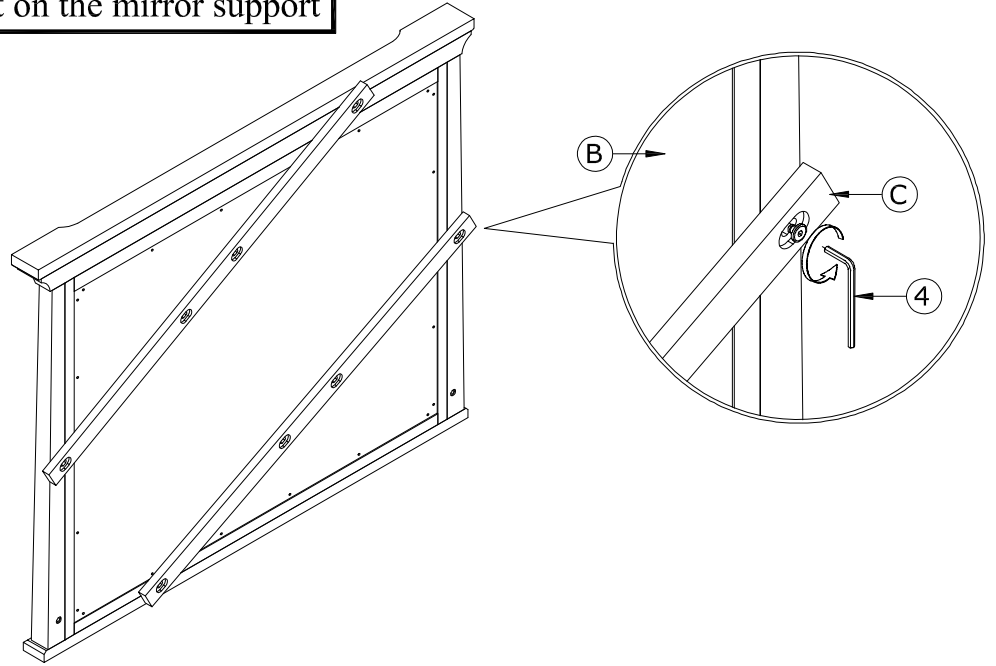
Hardware List	No.	Picture	Description	Dimension	Qty
	1		<b>Bolt</b>	1/4" X 13 X 1-4/7"	<b>6 Pcs</b>
	2		Lock Washer	Ø11 x 2 mm	<b>6 Pcs</b>
	3		Washer	Ø16 x 1 mm	<b>6 Pcs</b>
	4		L - Allen Wrench	#4 mm	<b>1 Pc</b>

Part List	No.	Description		Qty
<b>Dresser</b>	<b>A</b>		Dresser	<b>1 Pc</b>
<b>Mirror</b>	<b>B</b>		Mirror	<b>1 Pc</b>
	<b>C</b>		Support Mirror	<b>2 Pcs</b>

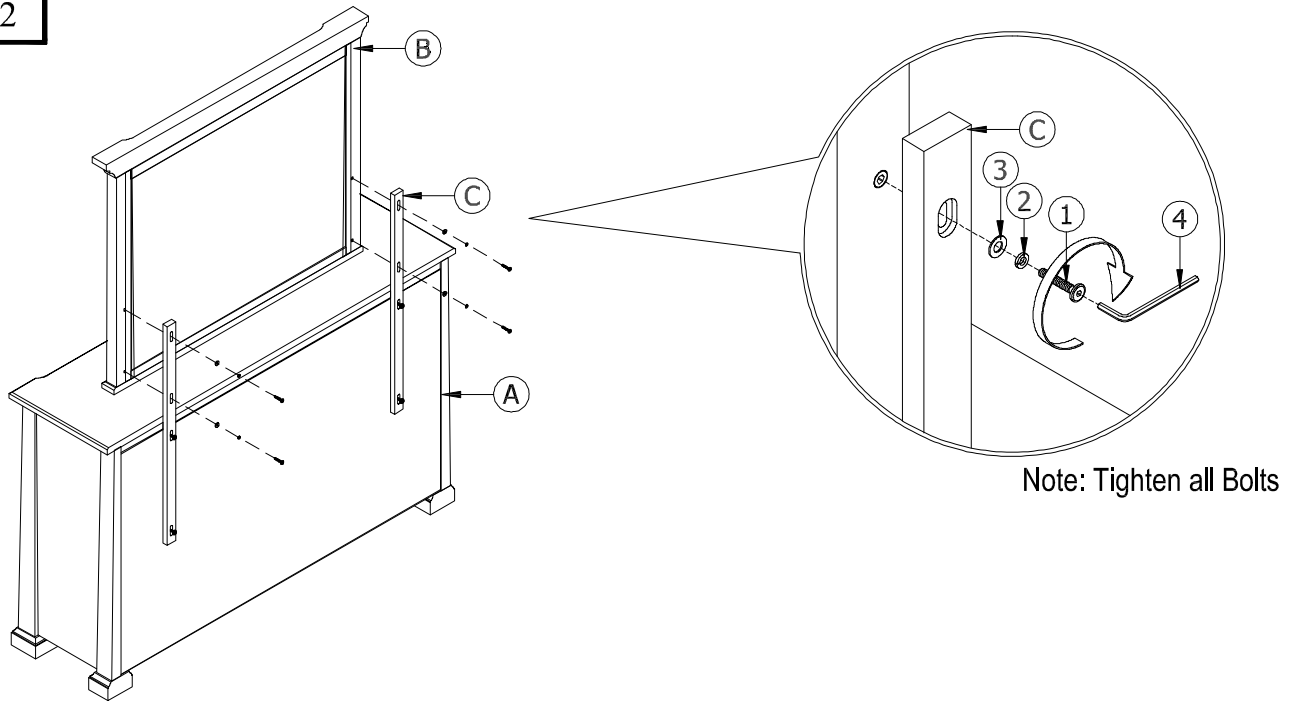
**Caution:**

These units can be cumbersome and heavy to some people. Therefore, the assistance of one or more people is recommended in order to prevent personal injury and insure the unit parts are not damaged during the assembly process.

**STEP 1: Please release bolt on the mirror support**



**STEP 2**



**ASSEMBLY COMPLETE**

