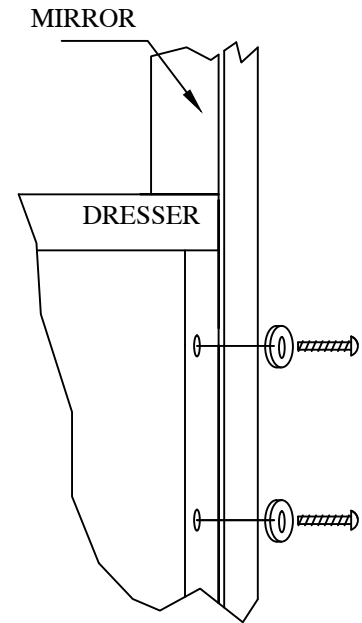


MIRROR ASSEMBLY INSTRUCTIONS

PROF 6890,32268903,32268802

ASSEMBLY INSTRUCTIONS

- 1.-Remove mirror supports from the back of the mirror.
- 2.- Lay mirror On flat surface
- 3.-Attach mirror supports to the back of the mirror using 4 washers and 4 bolts provided
Note: only hand tighten bolts at this time
- 4.-Place mirror on top of dresser
Attach mirror supports to back of dresser with 4 -washers and 4-bolts provided
*tighten all bolts



This assemble takes approximately 5 minutes.

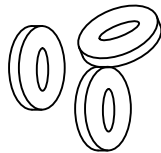
INS.10139

Rev.09.09.24 SH 1-2

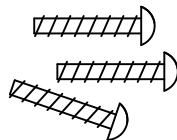
MIRROR ASSEMBLY INSTRUCTIONS

PROF 6890,32268903,32268802

* hardware

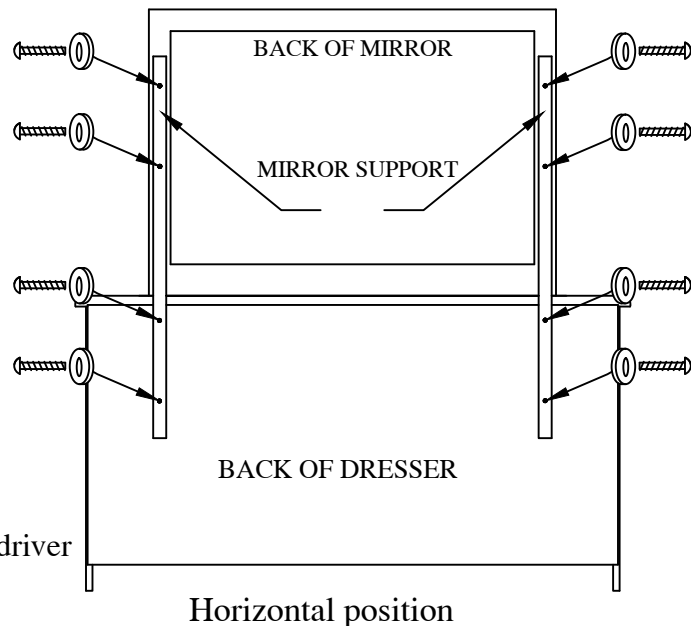


8 Pcs 1/4" Washer



8Pcs 1/4-20 x 1 1/2" Bolts

Note: You will also need a phillips screwdriver
(Not Provided)



INS.10139

Rev.09.09.24 SH 2-2